

QuPanel LTE HP MIMO 2x2

Directional High Power multiband LTE MIMO 2x2 antenna

QuPanel LTE HP directional MIMO 2x2 high gain antenna is predicted for 4G LTE mainly, but is compatible with 3G and 2G as well. The antenna improves the signal in rural/suburban and locations where the mobile signal is weak. That antenna is predicted to be installed on the buildings (on the pole or on the wall). Due to very wide working frequency range, the antenna is universal client for LTE bands like LTE700/800/1800/1900/2100/2300/2600. It's compatible with Teltonika: RUT240, RUT900, RUT950, RUT955, RUTX09, RUTX11 and other MIMO 2x2 LTE/3G/2G modems and routers.



OUTDOOR

Use LTE router wherever you want

ANTENNA

Maximize your signal with QuWireless antennas

SOLUTION

Plug LTE router and you are good to go

LTE SPECIFICATION

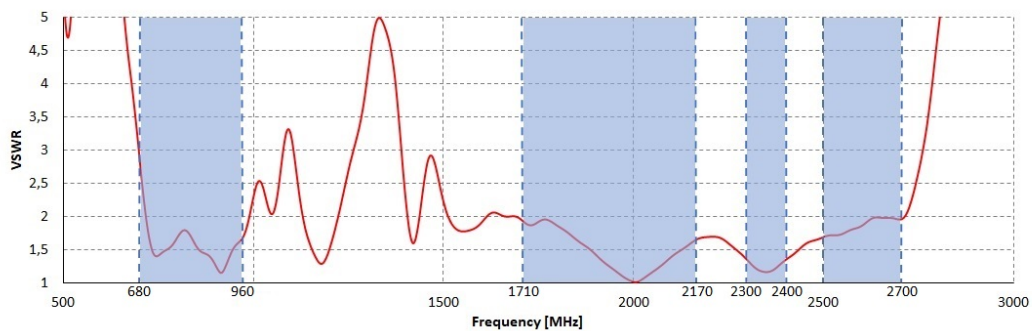
| | |
|---------------------|---|
| FREQUENCY | 0.694-0.96 GHz 1.7 - 2.2 GHz 2.2 - 2.7 GHz |
| Supported LTE bands | 1, 2, 3, 4, 5, 6, 7, 8, 9, 10, 12, 13, 14, 15, 16, 17, 18, 19, 20, 23, 25, 26, 27, 28, 29, 30, 33, 34, 35, 36, 37, 38, 39, 40, 41, 44, 53, 65, 66, 67, 68, 69, 70, 85 |
| GAIN | 0.694 - 0.96 GHz : 7 dBi 1.7 - 2.2 GHz : 7 dBi 2.2 - 2.7 GHz : 7 dBi |
| VSWR | <1.70, max <2.00 |
| BEAMWIDTH | 70°/70° ±15° |
| POLARIZATION | X-Pol |
| IMPEDANCE | 50 Ω |

MECHANICAL SPECIFICATION

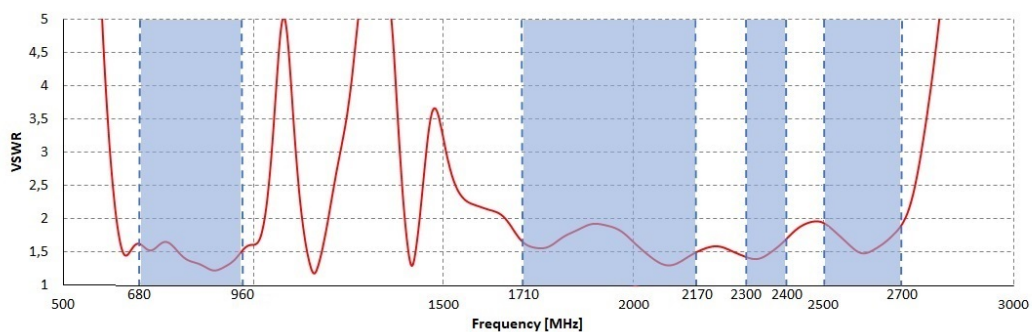
| | |
|-----------------------|--|
| MATERIALS | ABS, aluminum, Fiberglass, galvanized steel |
| INGRESS PROTECTION | IP67 |
| DIMENSIONS | 272 x 276 x 96 mm 10.71 x 10.87 x 3.78 inch |
| WEIGHT | 1.8 kg 3.97 lbs |
| OPERATING TEMPERATURE | From -40°C to 75°C From -40°F to 167°F |

VSWR

Port 1

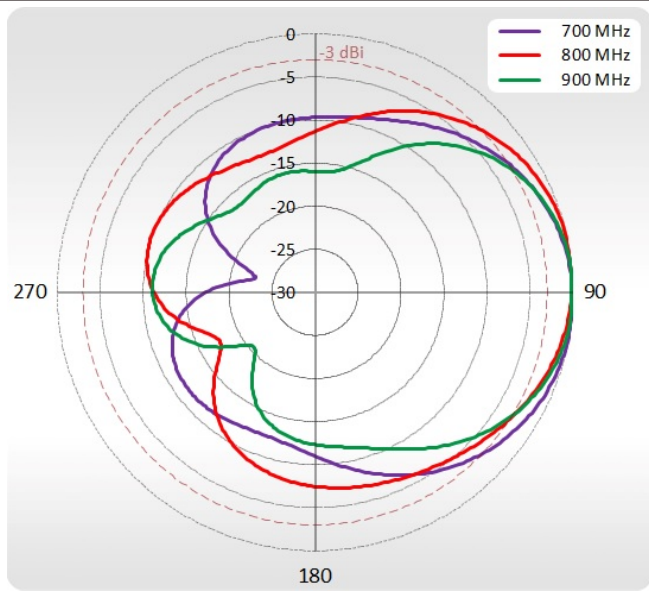


Port 2

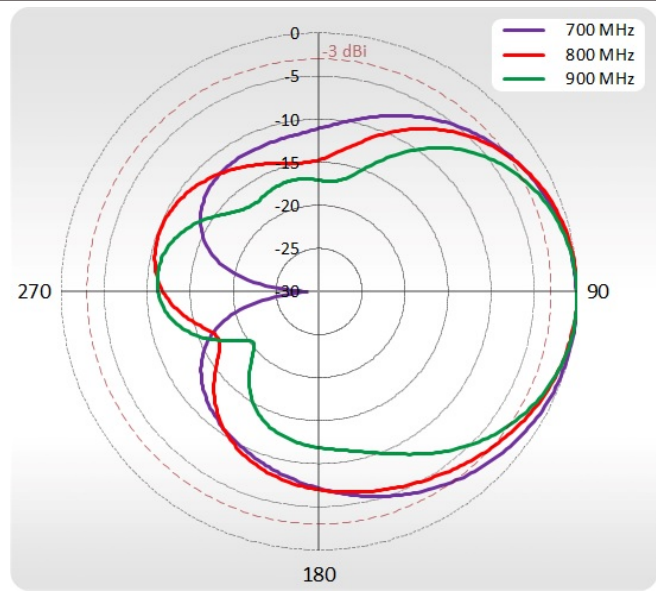


PLOTS

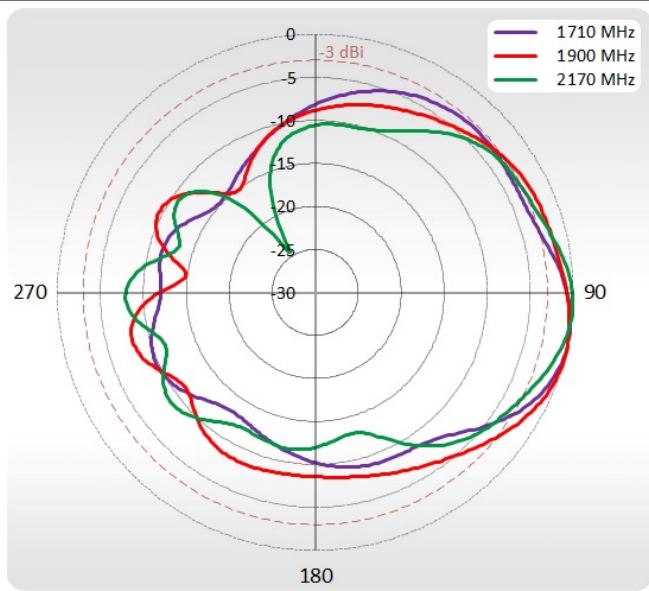
Port 1, 700-900 MHz Azimuth



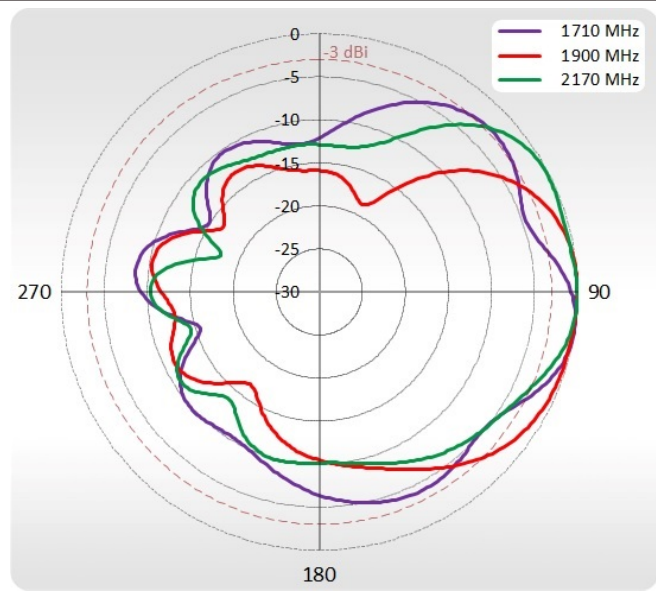
Port 1, 700-900 MHz Elevation



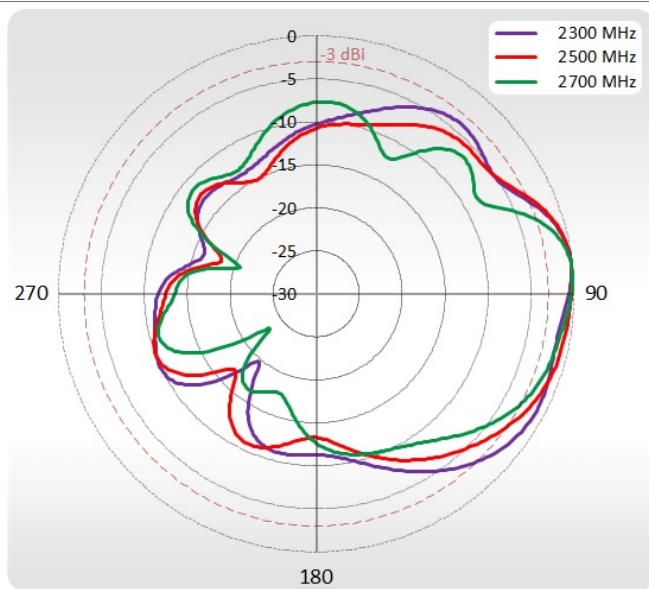
Port 1, 1710-2170 MHz Azimuth



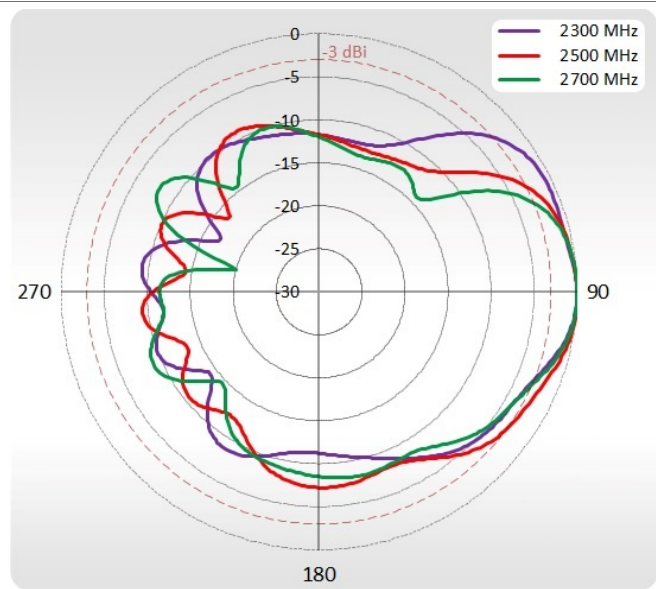
Port 1, 1710-2170 MHz Elevation



Port 1, 2300-2700 MHz Azimuth

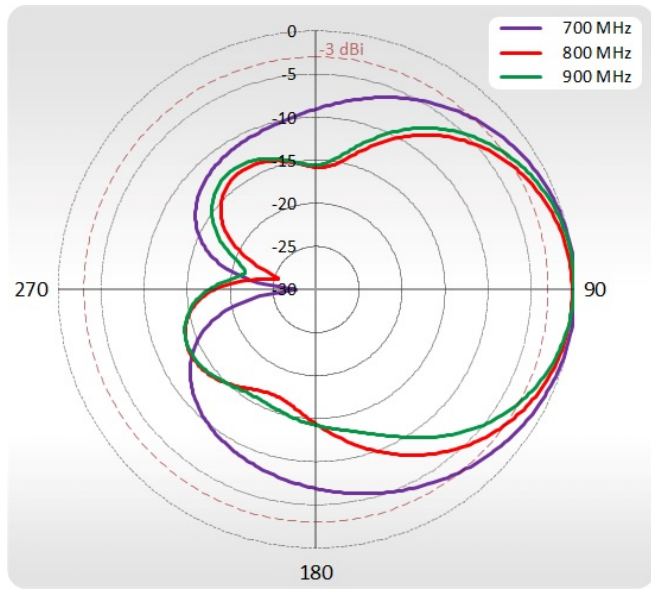


Port 1, 2300-2700 MHz Elevation

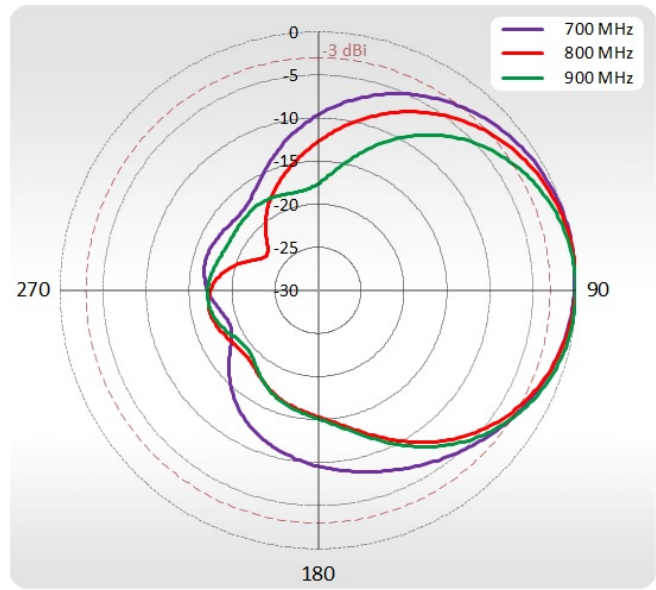


PLOTS

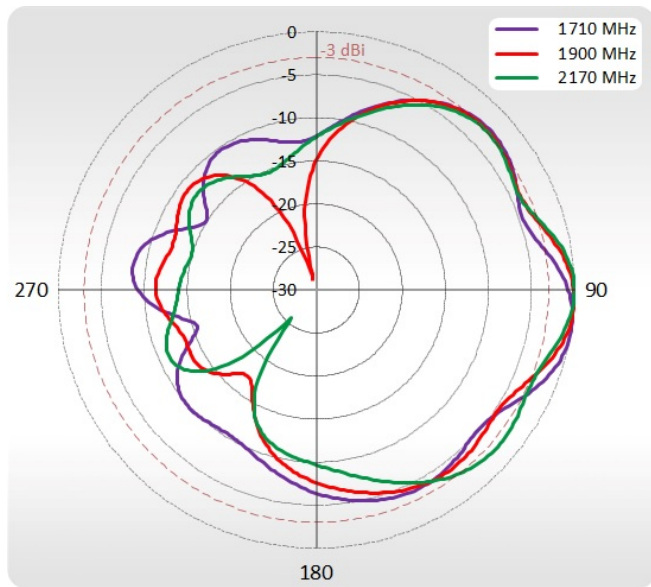
Port 2, 700-900 MHz Azimuth



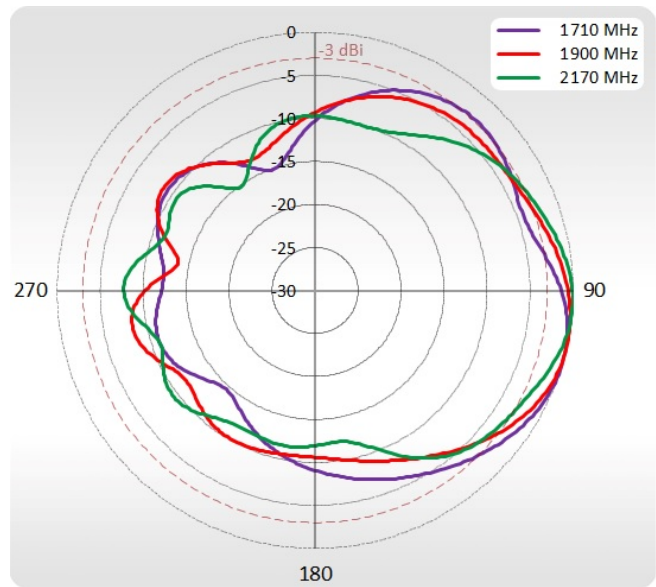
Port 2, 700-900 MHz Elevation



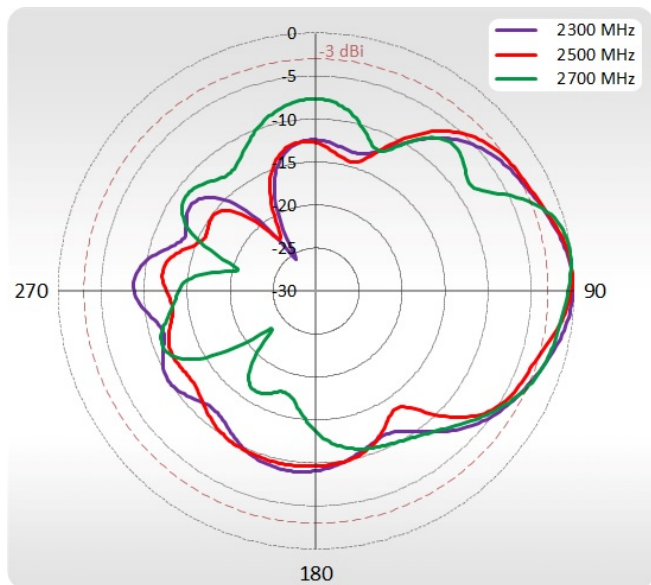
Port 2, 1710-2170 MHz Azimuth



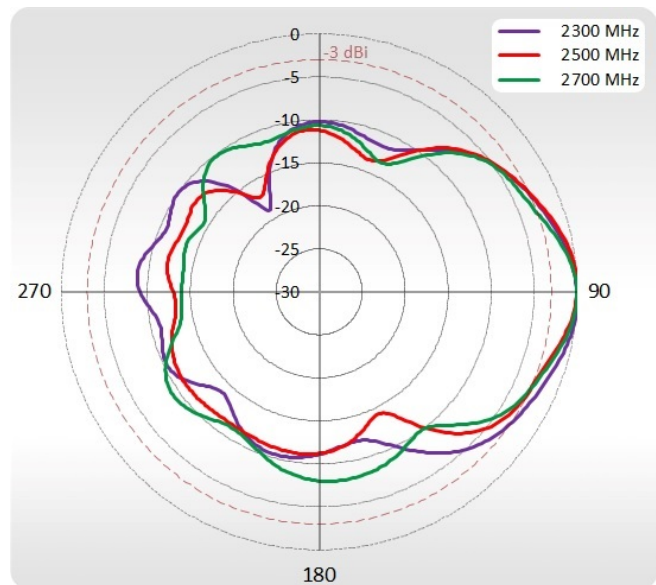
Port 2, 1710-2170 MHz Elevation



Port 2, 2300-2700 MHz Azimuth



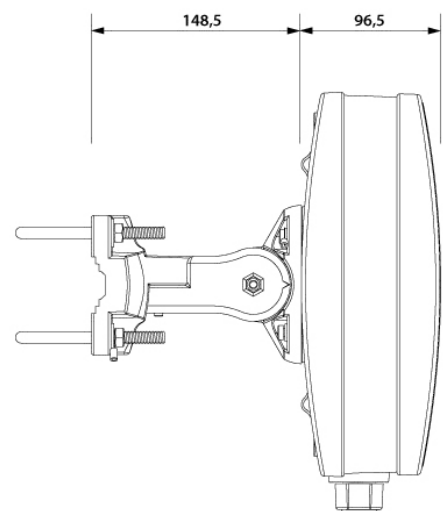
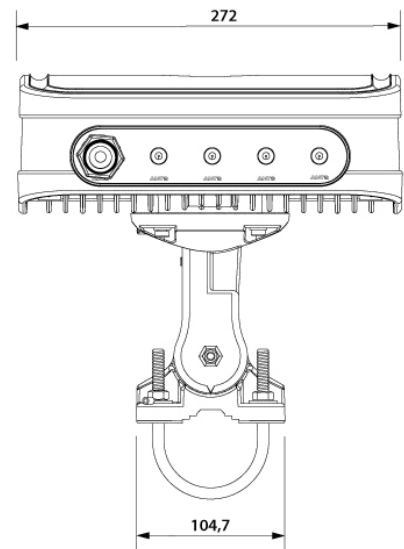
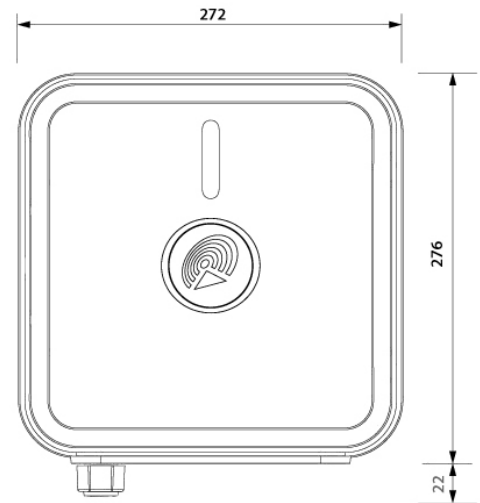
Port 2, 2300-2700 MHz Elevation



PHOTOS



DIMENSIONS



HEADQUARTER:

Wireless Instruments sp. z o.o.

ul. Kościuszki 27

52-116 Iwiny

POLAND

sales@quwireless.com

tel 1. +48 601 366 369

tel 2. +48 577 667 761

www.quwireless.com