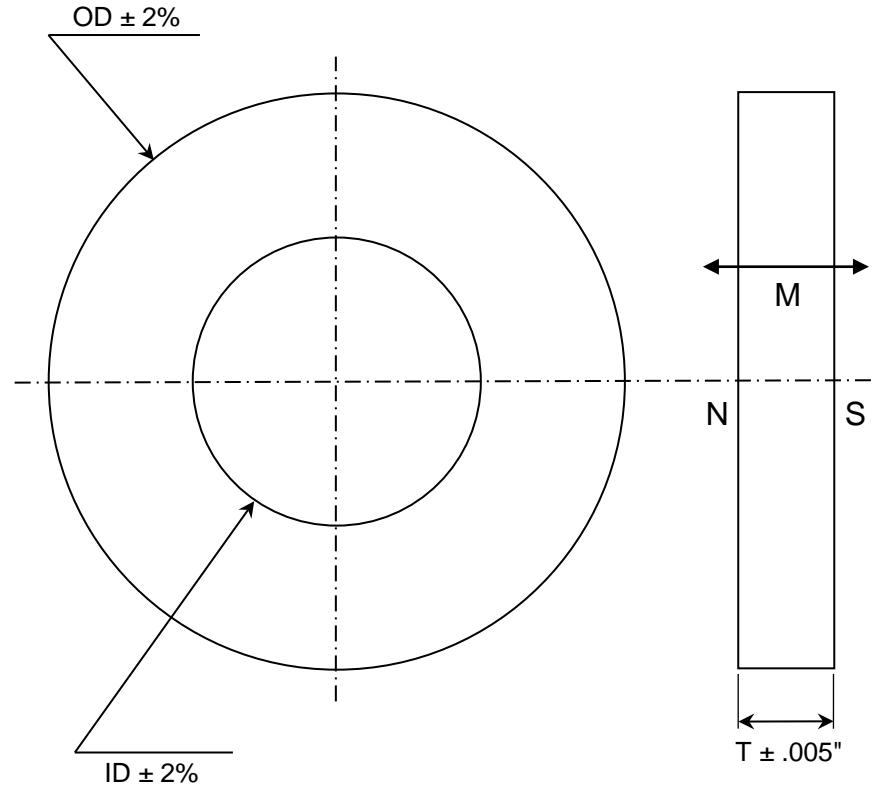


Part #	OD mm	OD inch	ID mm	ID inch	T mm	T inch
ALC171	100.08	3.94	44.45	1.75	13.34	0.525
ALC141	115.32	4.54	44.45	1.75	10.16	0.400
ALC142	115.32	4.54	44.45	1.75	12.70	0.500
ALC201	115.32	4.54	56.13	2.21	18.29	0.720
ALC231	115.32	4.54	58.67	2.31	12.70	0.500
ALC232	115.32	4.54	58.67	2.31	25.40	1.000
ALC113	133.35	5.25	58.67	2.31	13.97	0.550
ALC112	133.35	5.25	58.67	2.31	16.51	0.650
ALC111	133.35	5.25	58.67	2.31	19.05	0.750
ALC152	133.35	5.25	58.67	2.31	25.02	0.985
ALC151	155.45	6.12	60.20	2.37	20.96	0.825
ALC122	155.45	6.12	70.61	2.78	25.40	1.000
ALC121	155.45	6.12	70.61	2.78	20.96	0.825
ALC221	155.45	6.12	88.90	3.50	17.78	0.700
ALC222	155.45	6.12	88.90	3.50	19.05	0.750
ALC131	190.50	7.50	88.90	3.50	19.05	0.750
ALC132	190.50	7.50	88.90	3.50	25.40	1.000
ALC801	206.25	8.12	88.90	3.50	20.07	0.790
ALC802	206.25	8.12	88.90	3.50	25.40	1.000
ALC181	211.84	8.34	117.86	4.64	25.40	1.000

CONFIDENTIAL & PROPRIETARY INFORMATION
 This document contains Confidential and Proprietary Information of Alliance LLC, and all design, manufacturing, reproduction, use, and sale rights of such information are expressly reserved



MAGNET PROPERTIES PER C-5:

Br: 3,800-4,100 G
 Hc: 2,200-2,600 Oe
 Hci: ≥2,250 Oe
 BH_(max): 3.2-3.6 MGOe
 Magnetic loss: -0.18%Br/°C



Rev	Date	By

TOLERANCES
 (UNLESS OTHERWISE NOTED)

DECIMAL METRIC
 X.XX = ± .01 X.X = ± .25
 X.XXX = ± .005 X.XX = ± .13

ANGLES
 ± .5°

DO NOT SCALE DRAWING

Alliance LLC		
1450 CLARK DRIVE, VALPARAISO, INDIANA 46385		
DESCRIPTION: CERAMIC MAGNET		
P/N: ALCXXX		LOUDSPEAKER MAGNET
CERAMIC / FERRITE	Dwg by: BT	REV LEVEL: A
COATING: None	Apr by: DV	Apr. Dated: 02-18-2020