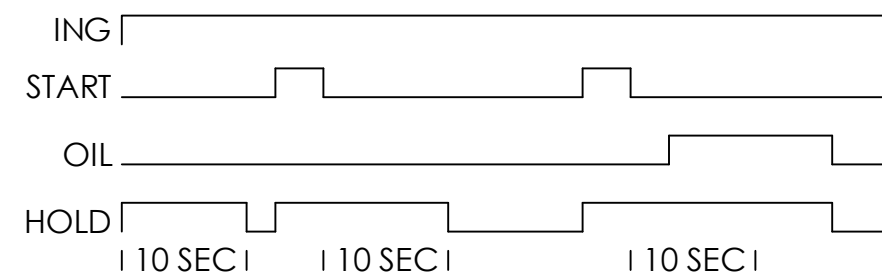
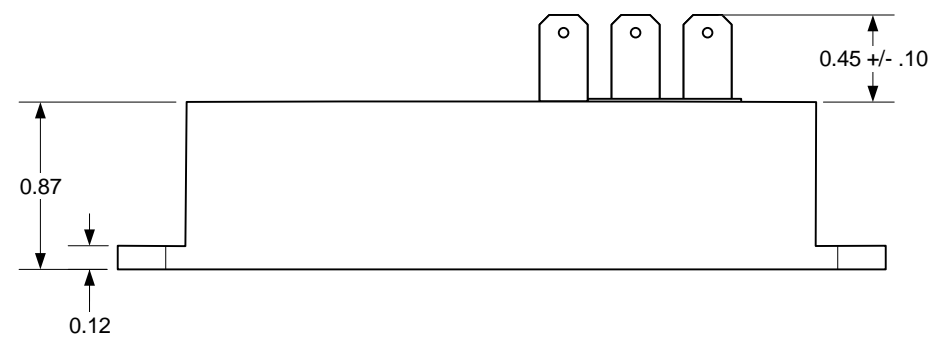
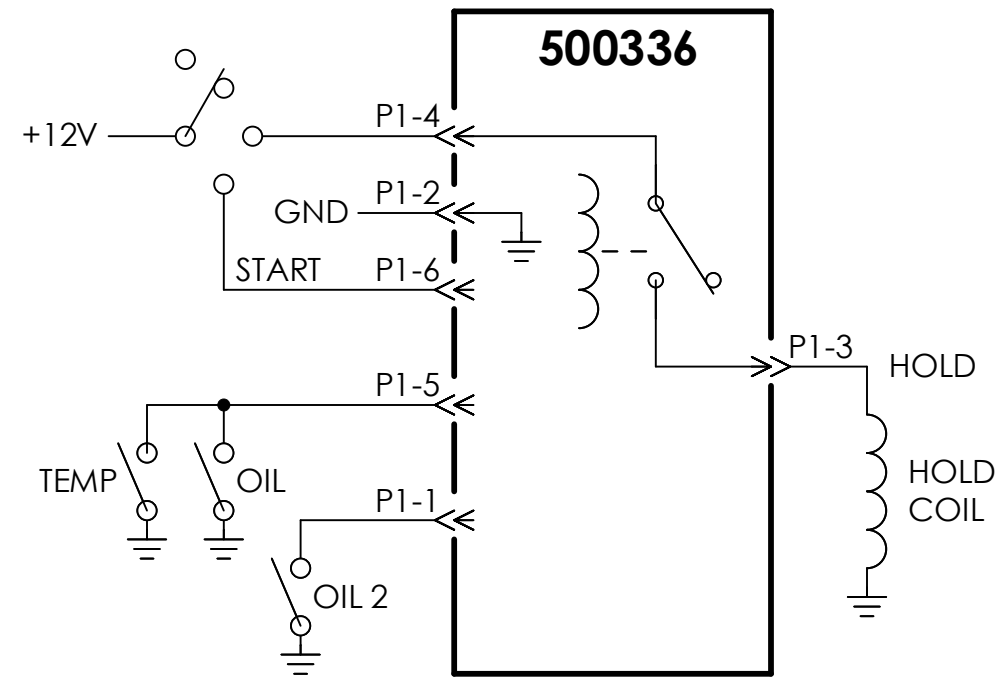
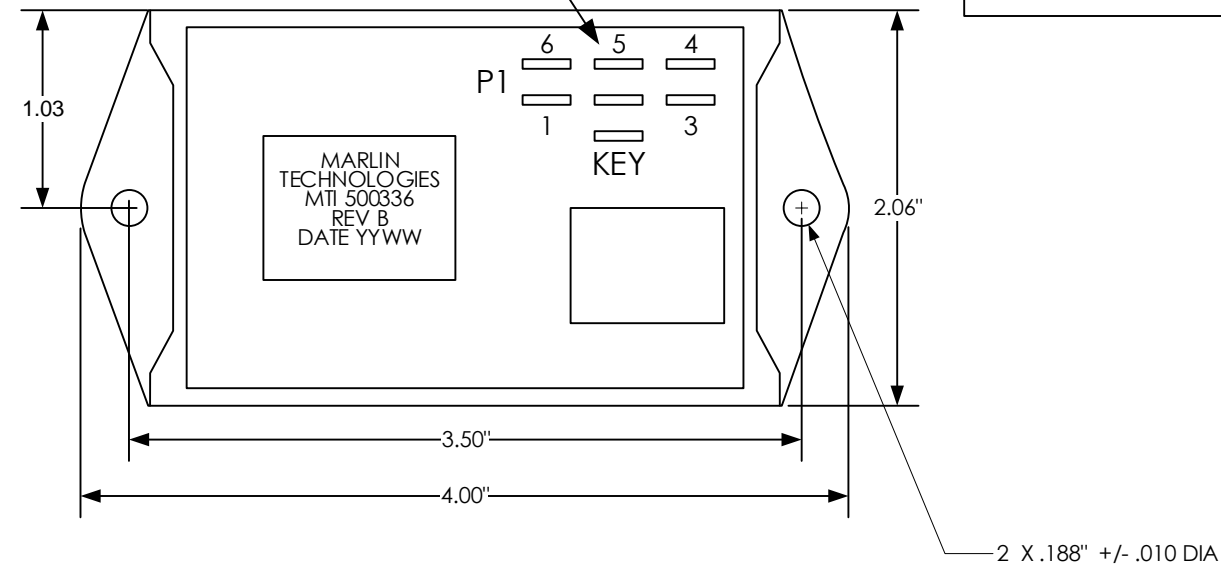


| REVISIONS | | | | |
|-----------|----------|--------|------------------------------|------|
| REV | DATE | ECN | DESCRIPTION | APVD |
| A | 06-15-98 | 2651E | RELEASE TO PRODUCTION | CAG |
| B | 09-20-13 | 10328E | BOX HGT .87 WAS .50, REDRAWN | SMJ |

MARLIN TECHNOLOGIES
MTI 500336
REV B
DATE YYWW

PRODUCT LABEL
REV=BOM REVISION
LABEL DATE CODE:
YY=YEAR OF MANUFACTURE
WW=WEEK OF MANUFACTURE

MATES WITH YAZAKI
7123-2262



UNCONTROLLED DOCUMENT

THE INFORMATION CONTAINED ON THIS DRAWING IS PROPRIETARY AND CONFIDENTIAL TO MARLIN TECHNOLOGIES INC. UNAUTHORIZED USE OR DISTRIBUTION WITHOUT CONSENT IS PROHIBITED.

| | | | | |
|---|---------------------------------|---------------------------------|--|-----------------|
| UNLESS OTHERWISE SPECIFIED, DIMENSIONS ARE IN INCHES AND TOLERANCES ARE | | | MARLIN TECHNOLOGIES INC. | |
| TWO PLACE DECIMAL +/- .05 | THREE PLACE DECIMAL +/- .020 | ANGLES +/- | TITLE OUTLINE, 500336 10 SEC HOLD COIL DELAY | |
| DO NOT SCALE DRAWING | | | SIZE B | REV B |
| CHECKED J SIMON | DATE 06-16-98 | DRAWING NUMBER 002647 | TYPE O | REV B |
| APPROVED J WILLIAMS | DATE 06-16-98 | DRAWN STASZAK | DATE 06-15-98 | SHEET 1 OF 1 |