



MADE IN THE USA

Product Description:

- Glove Box Dispenser - Triple with Dividers
- Holds three boxes of gloves
- Keyholes for vertical or horizontal wall mounting
- Stainless Steel

Primary Area for Product Usage:

- Anywhere gloves are needed

Dispenses:

- Boxes no larger than 5.25"W x 10.00"H x 3.75"D (13.3 cm x 25.4 cm x 9.5 cm)
- Boxes no smaller than 4.50"W x 9.00"H x 2.75"D (11.4 cm x 22.9 cm x 7.0 cm)

Package Specifications:

- Package Quantity: 4 per case
- 18"W x 16"H x 10"D (45.7 cm x 40.6 cm x 25.4 cm)
- 13.0 lbs (5.9 kg) - approximated

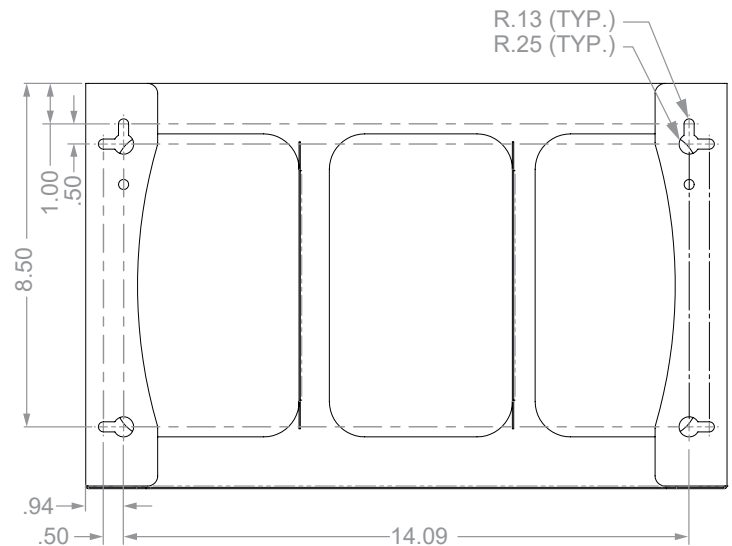
Product Specifications (overall external dimensions):

- 15.87"W x 10.03"H x 3.81"D (40.3 cm x 25.5 cm x 9.7 cm)
- 2.3 lbs (1.0 kg) - approximated

Mounting Specifications:

Related Products (each sold separately):

- GS-122: Glove Box Dispenser - Double with Dividers (shown below)
- GS-124: Glove Box Dispenser - Quad with Dividers

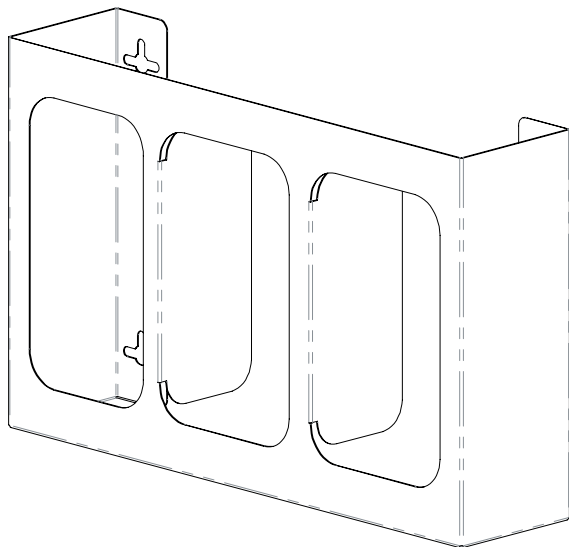




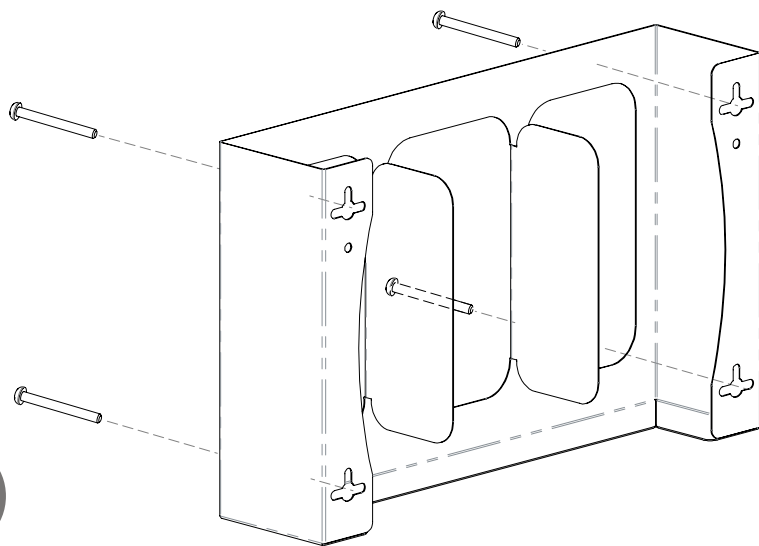
Installation

Always mount dispensers securely *prior* to loading with product.

- Dividers hold boxes separately for ease of loading and removing.



- Mount securely to a wall with screws approved and supplied by building maintenance.



Parts included:

- Dispenser

Tools Required:

- No tools required to assemble dispenser

Care and Construction

Stainless Steel

Material Characteristics

Designed for Long-Term, Heavy-Duty Applications

By its nature, stainless steel is resistant to corrosion and oxidation, yet the bright, easily maintained surface provides a modern and attractive appearance. Stainless steel is used overwhelmingly for its corrosion resistance characteristics. Along with being sturdy, stainless steel is also fire and heat resistant.

Stainless steel has work-hardening properties, giving the material a great strength-to-weight advantage over other materials. It also provides impact resistance and high toughness in extreme temperatures

Care and Cleaning

Stainless steel resists a variety of common chemicals and cleaning agents. Clean using warm water, a gentle detergent, and soft cloth. Dry thoroughly to avoid spotting. Do not use steel wool.