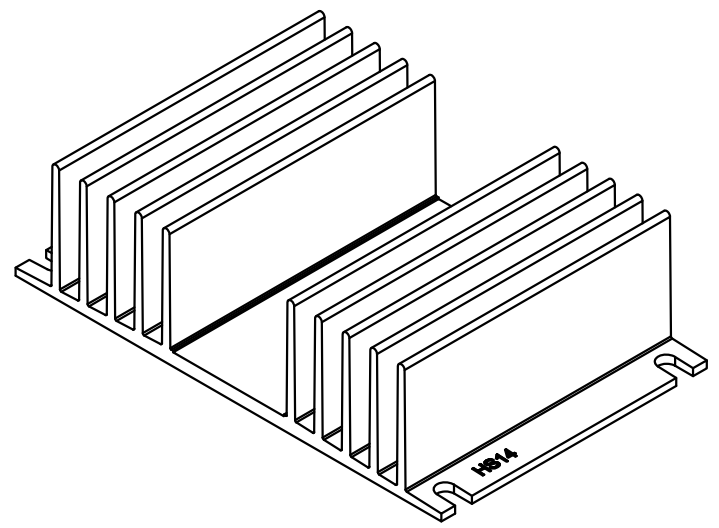


DETAIL A  
SCALE: 2X

**P1 HEATSINK**  
 MAT'L: 6063-T5 ALUMINUM (AAVID EXTRUSION #60840)  
 FINISH: ANODIZE PER MIL-A-8625, TYPE II, CL 2, BLACK  
 TYPICAL BREAKDOWN VOLTAGE > 300V



**NOTES:**

1. UNLESS OTHERWISE NOTED, ALL DIMENSIONS ARE IN INCHES.
2. BREAK ALL SHARP EDGES, DE-BURR & REMOVE LOOSE CHIPS.
3. MARK WITH CONTRASTING INK AS SHOWN, IF SPECIFIED BY PURCHASE ORDER.
4. THERMAL RATING: 2 °C/W
5. APPROXIMATE WEIGHT: 7.5 oz [213g]

TOLERANCES - UNLESS OTHERWISE SPECIFIED .XX = ±.01 [.254] .XXX = ±.005 [.127] ANG. = ±5°	TITLE: TO-3 HEATSINK		MODEL: HS14	
	SUBJECT: MECHANICAL DRAWING			
APEX TECHNOLOGY PRECISION MANUFACTURING		ENGINEER: D-M	DRAWN BY: R.MOR	DCN: 13497
		SHEET: 1	OF: 1	FILENAME: HS14
		REV: I	DATE: 03JAN14	