

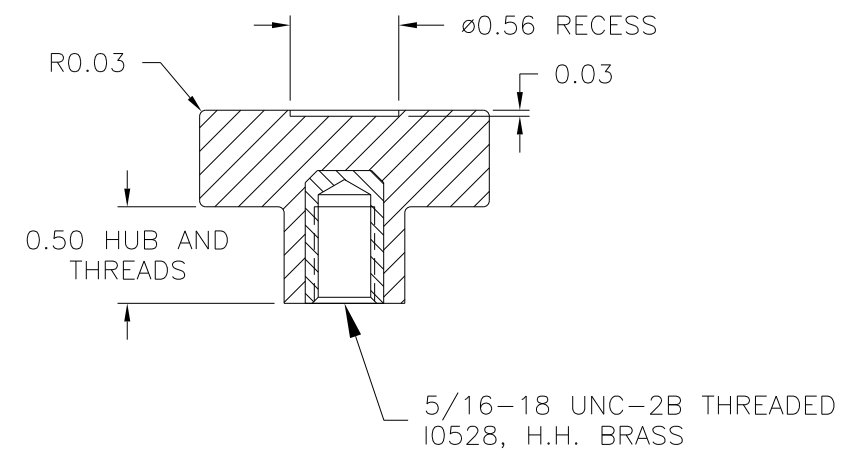
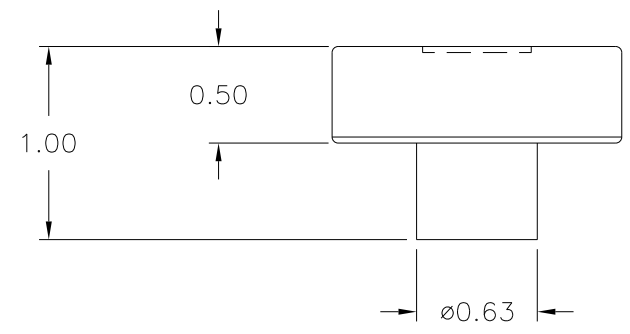
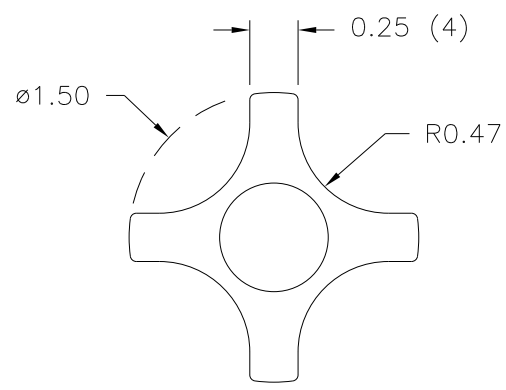
PART NAME: KNOB SCALE: 1:1 DATE: 9/28/83 DR. BY HD

THIS DRAWING IS THE PROPERTY OF DAVIES MOLDING COMPANY, IS SUBMITTED SOLELY AS A DESIGN OR ENGINEERING PROJECT. WE ACCEPT NO RESPONSIBILITY WHATSOEVER FOR THE PRACTICAL APPLICATION OF THE PIECES MADE TO THIS DESIGN.



DESIGNERS & MANUFACTURERS OF KNOBS, HANDLES, CASES & CUSTOM PLASTIC COMPONENTS

| | |
|-----------------|-------------|
| P/N | 2820-A |
| M ^{NO} | 3035 |
| CAVITY | 2820 |
| PLUNGER | 2820 |
| PIN | 3008-29 |
| PIN BAR SHIM | 0.093 |
| INSERT | I0528 |
| CAVITY KEY | 1/4x1/4x3/4 |
| PLUNGER KEY | 1/4x1/4x5/8 |



MATERIAL: #4311 PLENCO PHENOLIC
COLOR: BLACK

| | | | | |
|---|----------------------------------|---|---------------|-------------|
| TOLERANCES: UNLESS OTHERWISE SPECIFIED | DO NOT SCALE DRAWING | | | |
| DECIMALS: X.XXX ± .005 X.XX ± .015 | MM: X.XX ± 0.15MM X.X ± 0.4MM | - | RE-DID REDRAW | TL 11/19/99 |
| FRACTIONS ± 1/64 | ANG. ± 1° | - | CAD REDRAW | HD 4/14/93 |
| CHANGES | | | | |