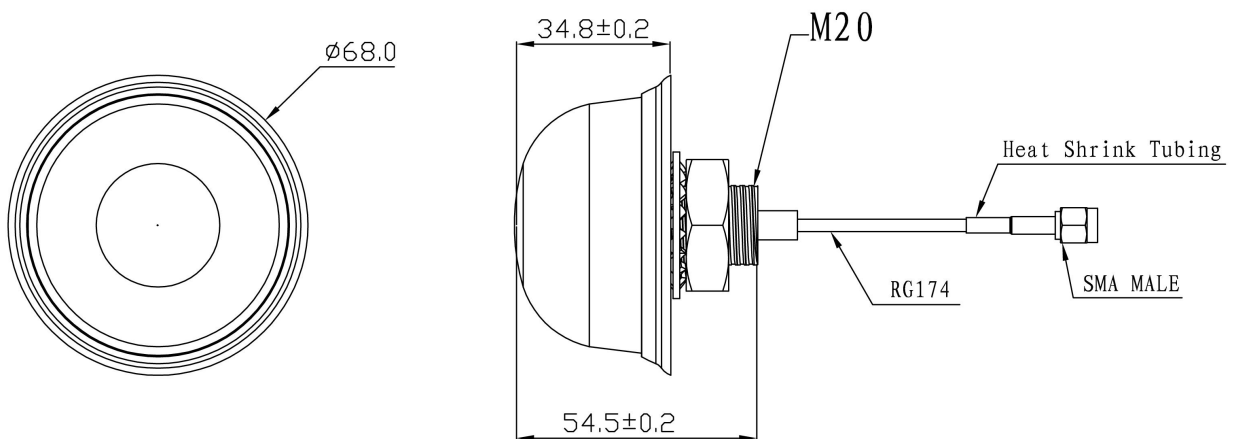


GPS&GLONASS Active Antenna JCA601



DIMENSIONS



Unit: mm

SPECIFICATIONS

Item	Specifications	
Antenna	Frequency Range	1575.42~1602MHz
	Polarization	RHCP
	Gain	2dBic (Zenith)
	V.S.W.R	<1.5
	Impedance	50 Ω
	Axial Ratio	3dB (min)
	Dimension	25*25*4mm
LNA	Gain	28 \pm 2dB
	Noise Figure	<1.5dB
	Supply Voltage	2.2~5V DC
	Current Consumption	5~15mA
	V.S.W.R	<2.0
Mechanical	Cable	RG174 or others
	Connector	SMA/MCX/FAKRA or others
	Radome Material	ABS
	Mounting Method	Screw
Environmental	Operating Temperature	-40 $^{\circ}$ C~+85 $^{\circ}$ C
	Relative Humidity	Up to 95%
	Ingress Protection	IP67 (exclude cable outlet)
	Vibration	10 to 55Hz with 1.5mm amplitude 2hours
	Environmentally Friendly	ROHS Compliant