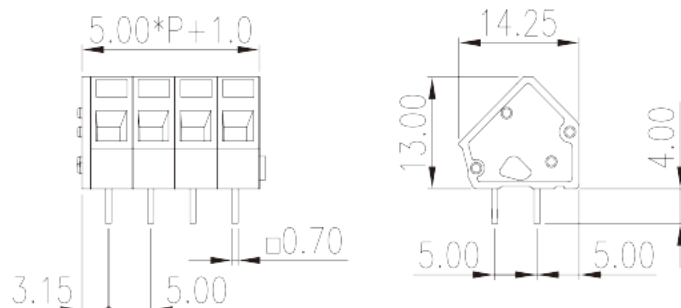
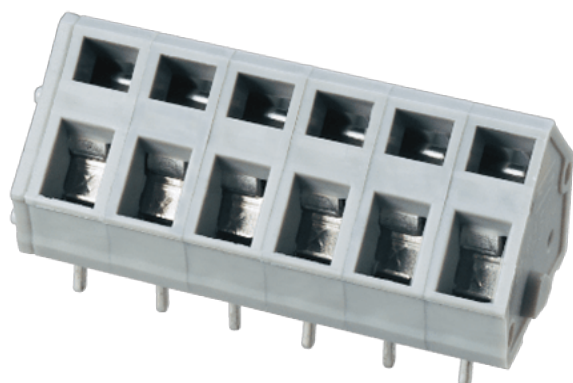


# WKA500-XXP

PCB Terminal Blocks &gt; PCB Terminal Blocks

Date:2022-06-09Version:V1



The web catalog is for reference only. Dinkle remains the right of product modification and engineering change of the design. The final product is made according to engineering drawing.

## Product Description

Pitch : 5.00mm, 300V, 15A

## General information

|  |  |
|--|--|
| Short description                      | PCB Terminal Blocks, Spring Clamp Connection |
| Category                               | PCB Terminal Blocks                          |
| Pitch (mm)                             | 5.00   |
| Color                                  | Grey (default)                               |
| Connection method                      | Spring Clamp Connection                      |
| Type of locking                        | Without                                      |
| Length (mm)                            | $5.00*(P-1)+7.2$                             |
| Width (mm)                             | 14.25  |
| Height (mm)                            | 13   |
| Pin demensions (Thickness x Width)(mm) | 0.7x0.7                                      |
| PCB hole diameter (mm)                 | 1.1~1.2                                      |
| Number of positions                    | 02P~24P                                      |
| Level                                  | Single level                                 |

## Material information

|                     |    |
|---------------------|----|
| Insulation material | PA |
|---------------------|----|

|  |                   |
|--|-------------------|
| Insulation material group                    | I                 |
| Flame retardant rating , compliant with UL94 | V0                |
| Insulation resistance                        | □500MΩ at DC 500V |
| Conductor material                           | COPPER ALLOY      |
| Plating of conductor surface                 | Tin PLATED        |

## Connection data-IEC

|   |         |
|---|---------|
| Rated voltage (V)   | 450     |
| Rated current (A)   | 24      |
| Rated voltage (II/2)(V)   | 630     |
| Rated voltage (III/2) (V)   | 450     |
| Rated voltage (III/3)(V)  | 320     |
| Rated impulse voltage (II/2)(KV)  | 4       |
| Rated impulse voltage (III/2)(KV)   | 4       |
| Rated impulse voltage (III/3)(KV)   | 4       |
| Conductor cross section solid. min (mm <sup>2</sup> )   | 0.2     |
| Conductor cross section solid.max (mm <sup>2</sup> )  | 2.5     |
| Conductor cross section stranded. min (mm <sup>2</sup> )  | 0.2     |
| Conductor cross section stranded. max (mm <sup>2</sup> )  | 2.5     |
| Conductor cross section flexible, with min ferrule without plastic sleeve (mm <sup>2</sup> )            | 0.25    |
| Conductor cross section flexible, with max ferrule without plastic sleeve (mm <sup>2</sup> )            | 1.5     |
| Conductor cross section flexible, with min ferrule with plastic sleeve (mm <sup>2</sup> )               | 0.25    |
| Conductor cross section flexible, with max ferrule with plastic sleeve (mm <sup>2</sup> )               | 1.5     |
| 2 conductors with same cross section flexible, min twin ferrules with plastic sleeve (mm <sup>2</sup> ) | 0.5     |
| 2 conductors with same cross section flexible, max twin ferrules with plastic sleeve (mm <sup>2</sup> ) | 1       |
| Slotted screwdriver size (Blade thickness x Width)(mm)  | 0.6x3.5 |
| Stripping Length (mm)   | 5~6     |

## Connection data-UL

|                                   |     |
|-----------------------------------|-----|
| Rated voltage (UL/CUL Group B)(V) | 300 |
| Rated current (UL/CUL Group B)(A) | 15  |
| Rated voltage (UL/CUL Group C)(V) | 150 |

|  |     |
|--|-----|
| Rated current (UL/CUL Group C)(A)                | 15  |
| Rated voltage (UL/CUL Group D)(V)                | 300 |
| Rated current (UL/CUL Group D)(A)                | 10  |
| Min. solid wire connection (AWG) acc. to UL/CUL  | 28  |
| Max. solid wire connection AWG acc. to UL/CUL    | 12  |
| Min. stranded wire connection AWG acc. to UL/CUL | 28  |
| Max. stranded wire connection AWG acc. to UL/CUL | 12  |

## Environment & Safety

|                                 |     |
|---------------------------------|-----|
| Finger protection (YES or NO)   | YES |
| Operating temperature. max (°C) | 120 |
| Operating temperature. min (°C) | -40 |

## UL Recognized

|                            |       |
|----------------------------|-------|
| Wire Range (Group B)(AWG)  | 28~12 |
| Rated voltage (Group B)(V) | 300   |
| Rated current (Group B)(A) | 15    |
| Wire Range (Group C)(AWG)  | 28~12 |
| Rated voltage (Group C)(V) | 150   |
| Rated current (Group C)(A) | 15    |
| Wire Range (Group D)(AWG)  | 28~12 |
| Rated voltage (Group D)(V) | 300   |
| Rated current (Group D)(A) | 10    |

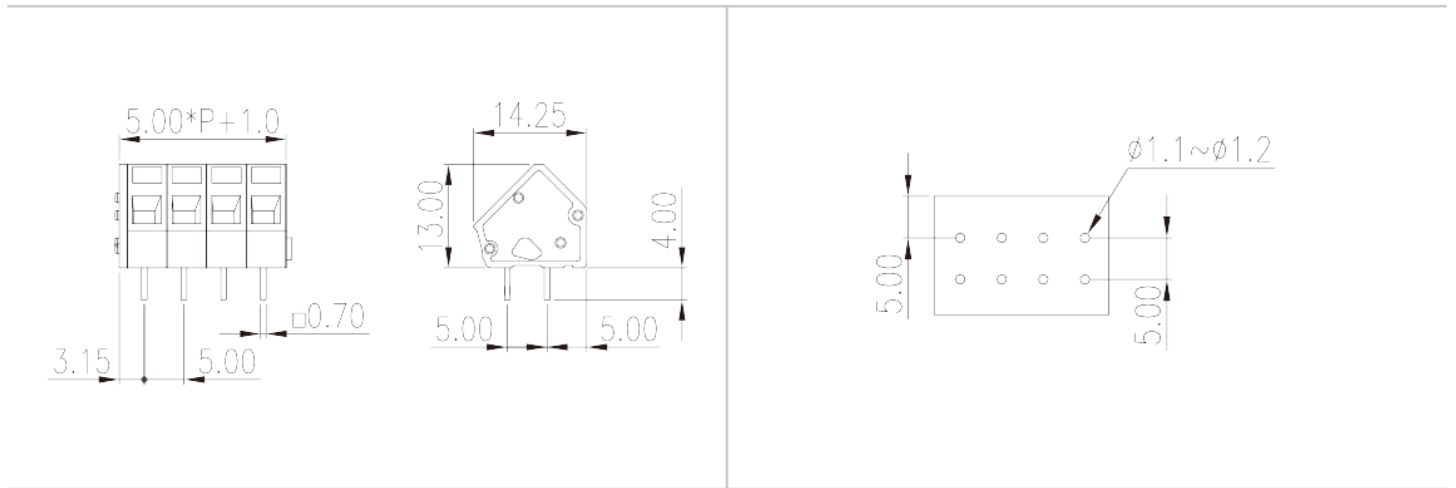
## CUL Recognized

|                            |       |
|----------------------------|-------|
| Wire Range (Group B)(AWG)  | 28~12 |
| Rated voltage (Group B)(V) | 300   |
| Rated current (Group B)(A) | 15    |
| Wire Range (Group C)(AWG)  | 28~12 |
| Rated voltage (Group C)(V) | 150   |
| Rated current (Group C)(A) | 15    |
| Wire Range (Group D)(AWG)  | 28~12 |
| Rated voltage (Group D)(V) | 300   |
| Rated current (Group D)(A) | 10    |

## VDE Approval

|                               |         |
|-------------------------------|---------|
| Wire Range (mm <sup>2</sup> ) | 0.5~2.5 |
| Rated voltage (V)             | 450     |
| Rated current (A)             | 24      |

## Drawings



## Approvals

