

### FEATURES

- ▶ Low-cost, high-performance replacement for many OEM DPMs
- ▶ Optional RED, GREEN or AMBER backlighting
- ▶ Snap-in bezel mount eliminates mounting hardware
- ▶ Resistant to RF and EMI
- ▶ 3½ digits with high-contrast LCD
- ▶ User-selectable, displayed engineering units

### SPECIFICATIONS

#### DISPLAY

Digits: 3½ digits ( $\pm 1999$  counts)  
 Type: 0.45" (11.4 mm) 7 segment LCD  
 Backlighting: Optional Red Negative (red numbers/black background)  
 Optional Green Negative (green numbers/ black background)  
 Optional Amber Negative (amber numbers/ black background)  
 Optional Green Positive (black numbers / green background)  
 Polarity: automatic, "-" displayed  
 Annunciators: °F, °C, PSI, %, user-selectable  
 Decimal Points: 3 position, user-selectable  
 Overrange: three lower order digits blank for inputs >1999

#### INPUTS

Ranges:  $\pm 200.0$ mV,  $\pm 2.000$ V,  $\pm 20.00$ V DC  
 Configuration: bipolar differential  
 Protection:  $\pm 350$  VDC, ( $\pm 100$  VDC on 200 mV range)  
 Impedance: 1000 M $\Omega$  on  $\pm 200$  mV;  
 (1 M $\Omega$  on 2 V & 20 V range)  
 Bias Current: 1 pA ( $\pm 200$  mV), 100 pA (other ranges)

#### PERFORMANCE

Accuracy:  $\pm (0.1\% \text{ fs} + 2 \text{ count})$   
 Conversion Rate: 3 per second  
 Normal Mode Rejection: >30 dB @ 60 Hz  
 Common Mode Range:  $\pm 1$  VDC max  
 Common Mode Rej.: >86 dB  
 Zero Adjustment: automatic  
 Warmup: 10 minutes typical  
 Temperature Coeff.:  $\pm 100$  ppm per °C typical

#### ENVIRONMENT

Operating Range: 0 to 50 °C  
 Storage Range: -10 to 70 °C

#### POWER SUPPLY

Optional Backlight: 5 VDC at 3.5 mA max  
 24 VDC at 35 mA, 5 VDC at 130mA typical

#### MOUNTING CONNECTION

snap-in bezel mount  
 13 pins, 0.025" square

### ORDERING INFO

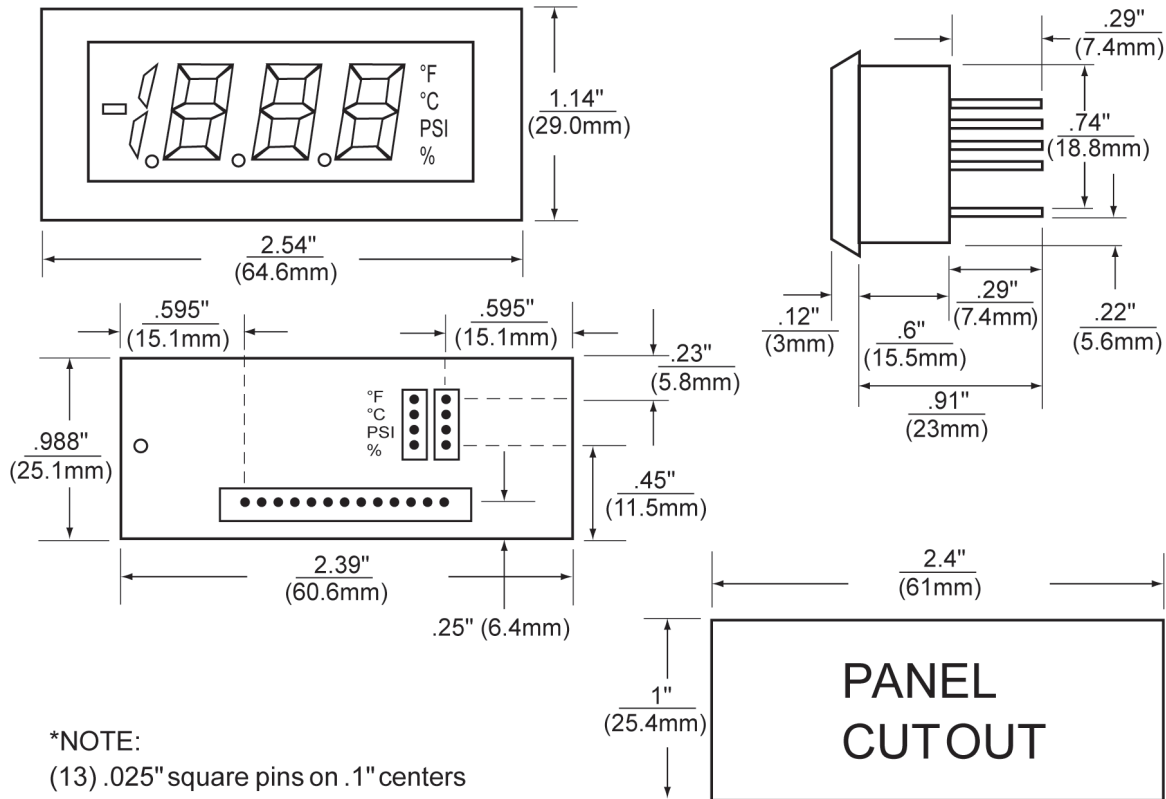
PART NUMBER	BACKLIGHT COLOR	METER INPUT	BACKLIGHT POWER
DK541	NO BACKLIGHT	200mV	NONE
DK542	NO BACKLIGHT	2V	NONE
DK543	NO BACKLIGHT	20V	NONE
DK551	NEG AMBER	200mV	5VDC
DK552	NEG AMBER	2V	5VDC
DK553	NEG AMBER	20V	5VDC
DK561	NEG GREEN	200mV	5VDC
DK562	NEG GREEN	2V	5VDC
DK563	NEG GREEN	20V	5VDC
DK571	NEG RED	200mV	5VDC
DK572	NEG RED	2V	5VDC
DK573	NEG RED	20V	5VDC
DK581	POS GREEN	200mV	5VDC
DK582	POS GREEN	2V	5VDC
DK583	POS GREEN	20V	5VDC

#### ACCESSORIES

J4C13	13 Pin Connector / Wire Assembly
PW2-5	Regulated 120V AC to 5V DC Power Supply
PW2-24	Regulated 120V AC to 24V DC Power Supply
CVC	Calibrator



**DIMENSIONS**



**WIRING**

PIN #	PIN NAME	DESCRIPTION
1	+5V	+5V POWER SUPPLY
2	NEG	POWER SUPPLY GROUND
3	INHI	POSITIVE INPUT SIGNAL
4	INLO	NEGATIVE INPUT SIGNAL
5	COM	DECIMAL COMMON
6	000.0	000.0 WHEN CONNECTED TO DECIMAL COMMON
7	00.00	00.00 WHEN CONNECTED TO DECIMAL COMMON
8	0.000	0.000 WHEN CONNECTED TO DECIMAL COMMON
9	NC	NO CONNECTION REQUIRED
10	NC	NO CONNECTION REQUIRED
11	SH	SIGNAL HOLD WHEN CONNECTED TO V+
12	BLV+	BACKLIGHT V+ (BACKLIT MODELS ONLY)
13	BLV-	BACKLIGHT V- (BACKLIT MODELS ONLY)

Note: Pins 2 & 4 should be tied together for proper operation