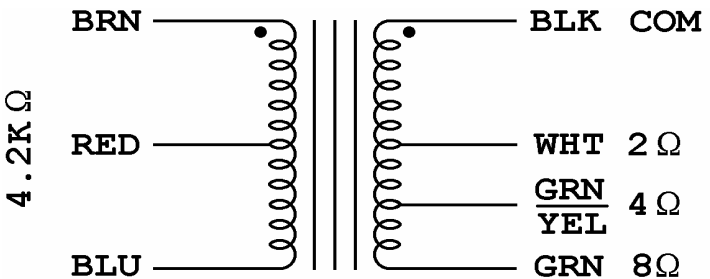
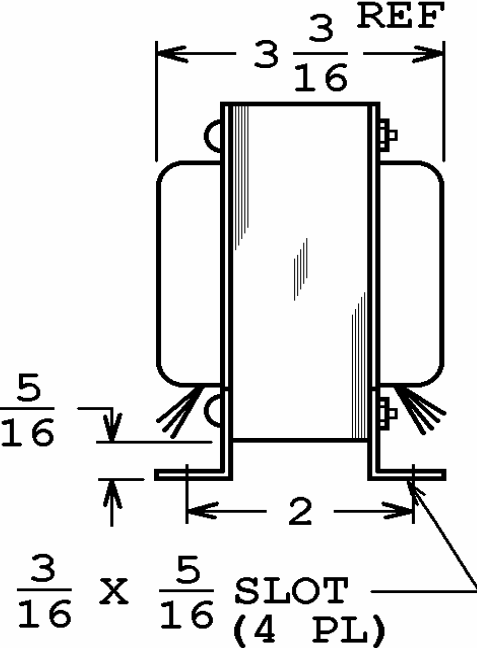
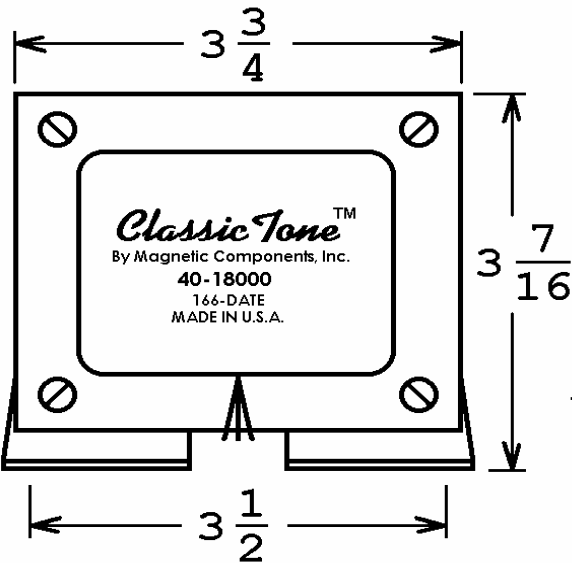


40-18000

This drawing is the property of Magnetic Components, Inc. and shall not be reproduced, in whole or in part, without the written permission of Magnetic Components, Inc.

| REVISIONS |                                   |          |             |
|-----------|-----------------------------------|----------|-------------|
| LTR       | DESCRIPTION                       | DATE     | APPROVED    |
| A         | ADD ClassicTone, PROPRIETARY NOTE | 01/06/10 | M. Sacketti |
| B         | TITLE WAS 60W                     | 03/23/12 | M. Sacketti |



|  |                            |  |            |                                    |        |                            |         |
|--|----------------------------|--|------------|------------------------------------|--------|----------------------------|---------|
| UNLESS OTHERWISE SPECIFIED<br>ALL DIMENSIONS IN INCHES<br>DO NOT SCALE DRAWING<br>FRACTIONS +/-<br>.X = +/-<br>.XX = +/-<br>.XXX = +/-<br>ANGLES = +/- | SIGNATURES                 |  | DATE       | MAGNETIC COMPONENTS, INC.          |        | DIV :<br>LOC : SCHILLER PK |         |
|  | DRAWN : <i>M. Sacketti</i> |  | 03 JUN 09  | TITLE<br>50/60W OUTPUT TRANSFORMER |        |                            |         |
|  | CHECK :                    |  |            |                                    |        |                            |         |
|  | APPR : <i>M. Sacketti</i>  |  | 03 JUN 09  | CAGE 50508                         | SIZE A | PART No. 40-18000          | REV B   |
|  |                            |  | SCALE NONE |                                    |        |                            | SHEET : |