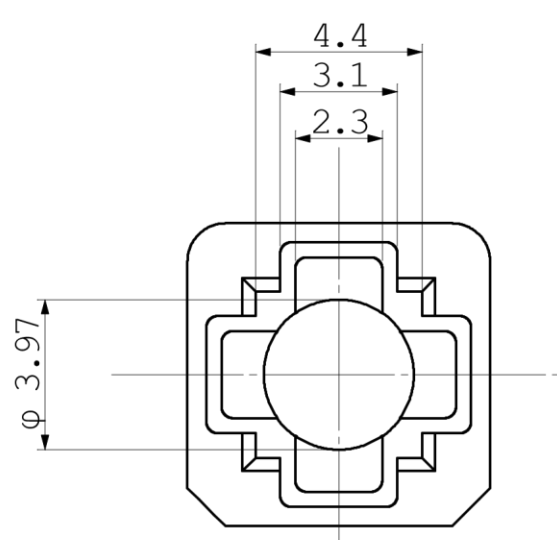
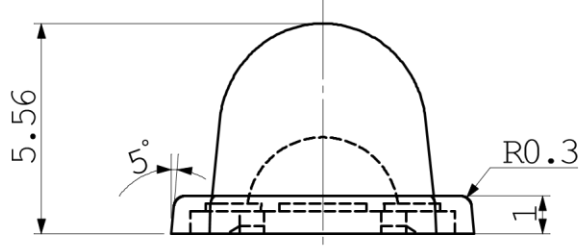
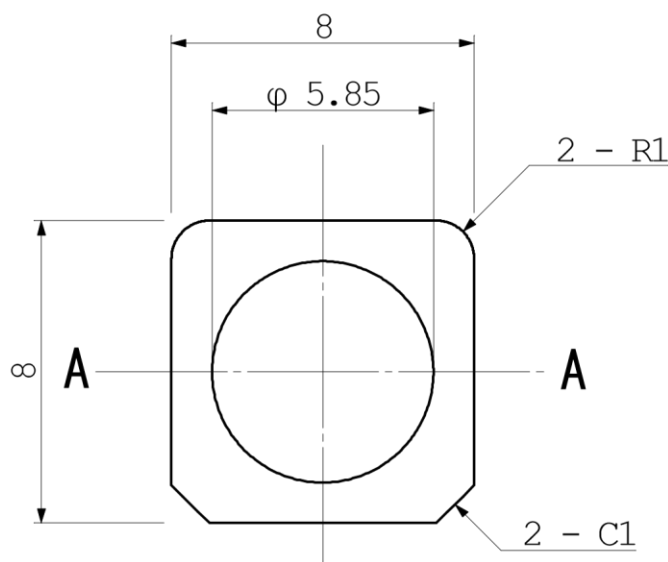


○	SPECIFICATIONS ＜仕様図＞	SURFACE TREATMENT ＜表面処理＞	SYM	DATE	REVISION	REVR	APPR
	REFERENCE ＜参考図＞	HEAT TREATMENT ＜熱処理＞	△ ¹ ×				
		FINISH ＜仕上げ＞	△ ² ×				



NOTE)

・一般寸法公差：下記C公差を適用

General dimensional tolerance: Range C



TOLERANCE UNLESS SPECIFIED			
RANGE	A	B	C
LESS THAN 6	±0.2	±0.1	±0.1
OVER 6 TO 20	±0.3	±0.2	±0.1
OVER 20 TO 50	±0.5	±0.3	±0.2
OVER 50 TO 100	±1.0	±0.5	±0.3
OVER 100 TO 300	±2.0	±1.0	±0.5
OVER 300 TO 500	±5.0	±2.5	±1.0
ANGLE	±2°		

ORIGINAL DATE 2021/07/07	MATERIAL (COMPOUND) Silicone rubber	TITLE DK-35M-119B
SCALE 5 : 1	COLOR Clear	DRAWING NO. 21070708E
UNIT mm	HARDNESS A80	DESIGN S. Tonegawa
SIZE A 4	3RD ANGLE SYSTEM	DRAWN S. Tonegawa
		CHECKED S. Endo
		APPROVED E. Ishiguro
株式会社朝日ラバー		

◆ASA COLOR LENS

Part number : DK-12M-119B / DK-35M-119B

Initial Properties

1. Physical Properties

Items	Materials : ASR-A80MC
Color	Transparent
Hardness JIS Type A	A80/S±5
Total light transmittance(t=2mm)	90% and more
Refractive index (25°C) (D-line 589 nm)	1.41±0.03

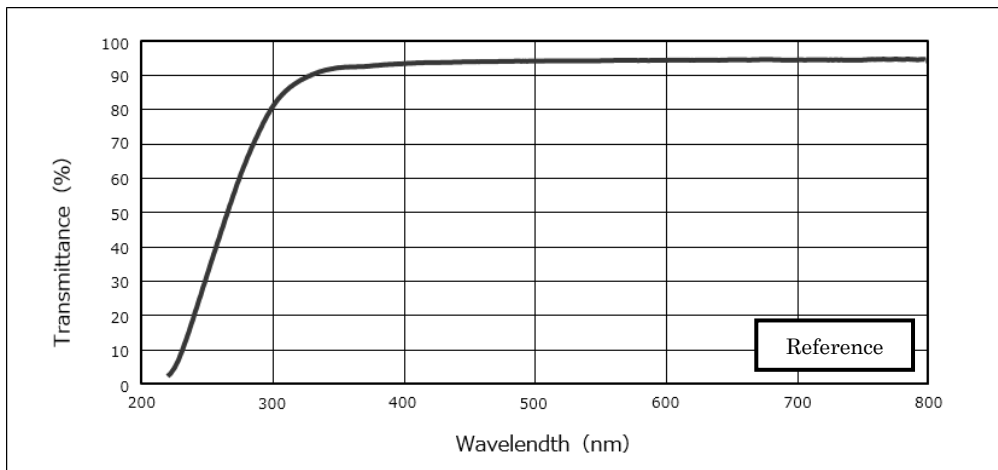


Figure1. Total light transmittance of ASR-A80MC (t=2mm)

2. Light Distribution Data

