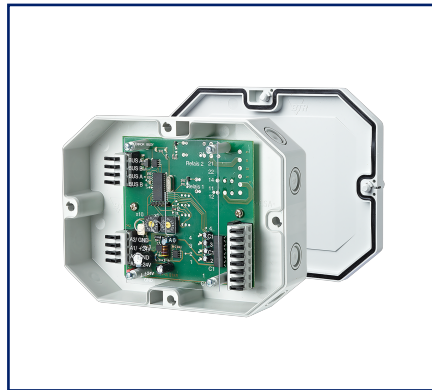


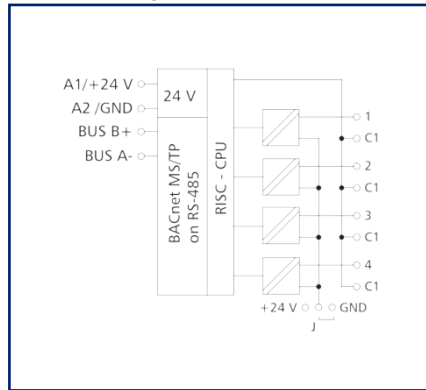
Data sheet

BMT-DI4-IP65 BACnet MS/TP

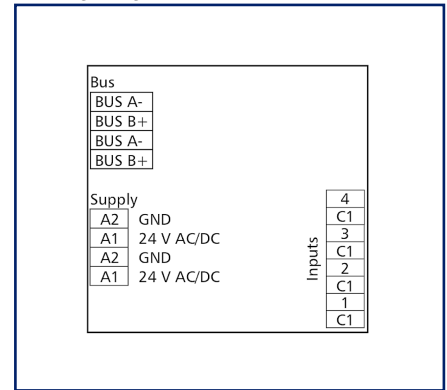
Illustrations



Principle diagram



Wiring diagram



See enlarged drawings at the end of document

Product specification

The BACnet MS/TP module in IP65 housing with 4 digital inputs was developed for decentralized switching tasks. It is suitable for detecting potential-free switch states, for example electrical limit switches on vent valves or auxiliary contacts of power contactors. The inputs can be operated by means of potential-free switches or contacts or used as voltage inputs. The inputs can be scanned by means of standard objects via a BACnet client. The module address and the baud rate are set by means of two address switches.

Technical Data

Approvals



BACnet is a registered trademark of ASHRAE. ASHRAE does not endorse, approve or test products for compliance with ASHRAE standards. Compliance of listed products to the requirements of ASHRAE Standard 135 is the responsibility of BACnet International (BI). BTL is a registered trademark of BI.

RS485 interface

| | |
|-----------------------------------|--|
| Protocol | BACnet MS/TP |
| Address range | 00 - F9 |
| Bus interface | RS485 two wire bus with potential equalization in bus or line topology, terminate with 120 Ohm |
| Transmission parameters | |
| Transmission rate | min. 9600 Bit/s (Bd) - max. 115200 Bit/s (Bd) |
| Transmission rate default setting | 9600 Bit/s (Bd) |
| Parity | None |
| Stopbits | 1 |

Supply

| | |
|-----------------------------|----------------------------|
| Operating voltage | 24 V AC/DC +/- 10 % (SELV) |
| Power consumption | |
| Power consumption AC (max.) | 64 mA |
| Power consumption DC (max.) | 35 mA |
| Duty cycle relative | 100 % |

Inputs

| | |
|-----------------------|-------------|
| Digital inputs | 4 |
| Voltage input | 30 V AC/DC |
| High signal detection | > 7 V AC/DC |

Housing

| | |
|-----------------------|---|
| Dimensions | |
| Dimension (W x H x D) | 160 mm x 40.7 mm x 120 mm |
| Dimension (W x H x D) | 6.299 in. x 1.602 in. x 4.724 in. |
| Weight | 350 g |
| Mounting style | directly on a flat surface, 8 knock-out openings for M12 and M16 cable glands |
| Mounting position | any |
| Connection type | Spring clamp terminal blocks |

Technical Data

| Housing | |
|---|--|
| Indicator | green, red and yellow LED |
| Terminal blocks | |
| Supply and bus | |
| Terminal block | 4-pole |
| Solid wire (AWG) | max. 1.5 mm ² / max. 16 AWG |
| Stranded wire (AWG) | max. 1 mm ² / max. 18 AWG |
| Wire diameter | max. 1.4 mm - min. 0.3 mm |
| Module connection | |
| Wire cross section solid | 0.2 mm ² - 1.5 mm ² / AWG 28-18 |
| Wire cross section multi | 0.08 mm ² - 0.75 mm ² / AWG 28-18 |
| Wire cross section with wire ferrule | 0.08 mm ² - 0.75 mm ² / AWG 28-20 |
| Stripping length (min.) | 4 mm |
| Circuit de protection | Polarity reversal protection for DC operating voltage, Protection against interchanging power supply and bus |
| Material | |
| Material - Housing | ASA + Polycarbonat |
| Color | gray |
| Material - Terminal block | Polyamid 6.6 V0 |
| Material - Covers | Polycarbonat |
| REACH | compliant |
| Protection category according to IEC 60529 | |
| Protection category - housing (acc. to IEC 60529) | IP65 |
| Protection category - terminal blocks (acc. to IEC 60529) | IP20 |
| Temperature range | |
| Operating | |
| Temperature - Operating °C | -5 °C - 55 °C |
| Temperature - Operating °F | 23 °F - 131 °F |
| Storage | |
| Temperature - Storage °C | -20 °C - 70 °C |
| Temperature - Storage °F | -4 °F - 158 °F |

Technical Data

Classifications

ETIM 7.0 EC000688

ETIM 8.0 EC000688

Software and additional documents

Software and documentation

Further documentation is available for free download at www.metz-connect.com



Accessories

| P/N | Designation |
|------------|-----------------------------------|
| 110368 | TSH 35 Hutschienenhalter für IP65 |
| 110486 | HUB DC |
| 110561 | Power supply NG4 24 V DC |
| ASP0250404 | SP025xxHDNC ASP025 |

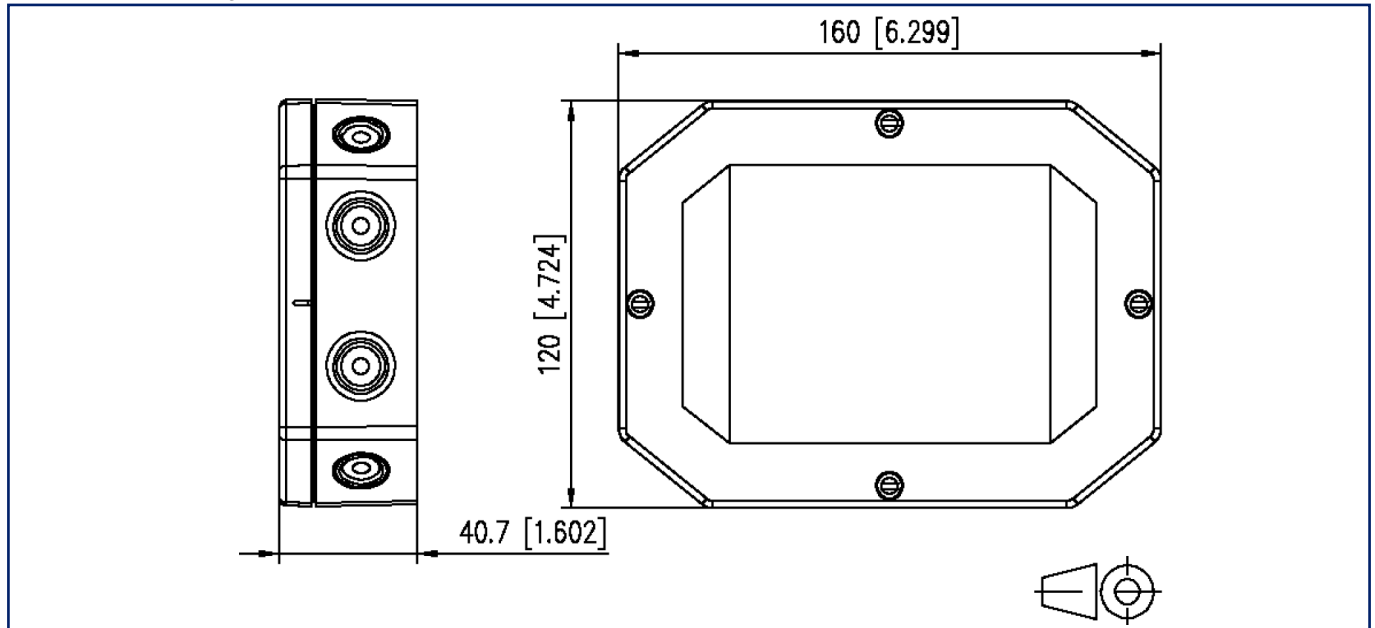
Accessories from

| P/N | Designation |
|------------|-------------------------|
| 11088001 | BMT-RTR BACnet-Router |
| 1108800170 | BMT-F-RTR BACnet-Router |

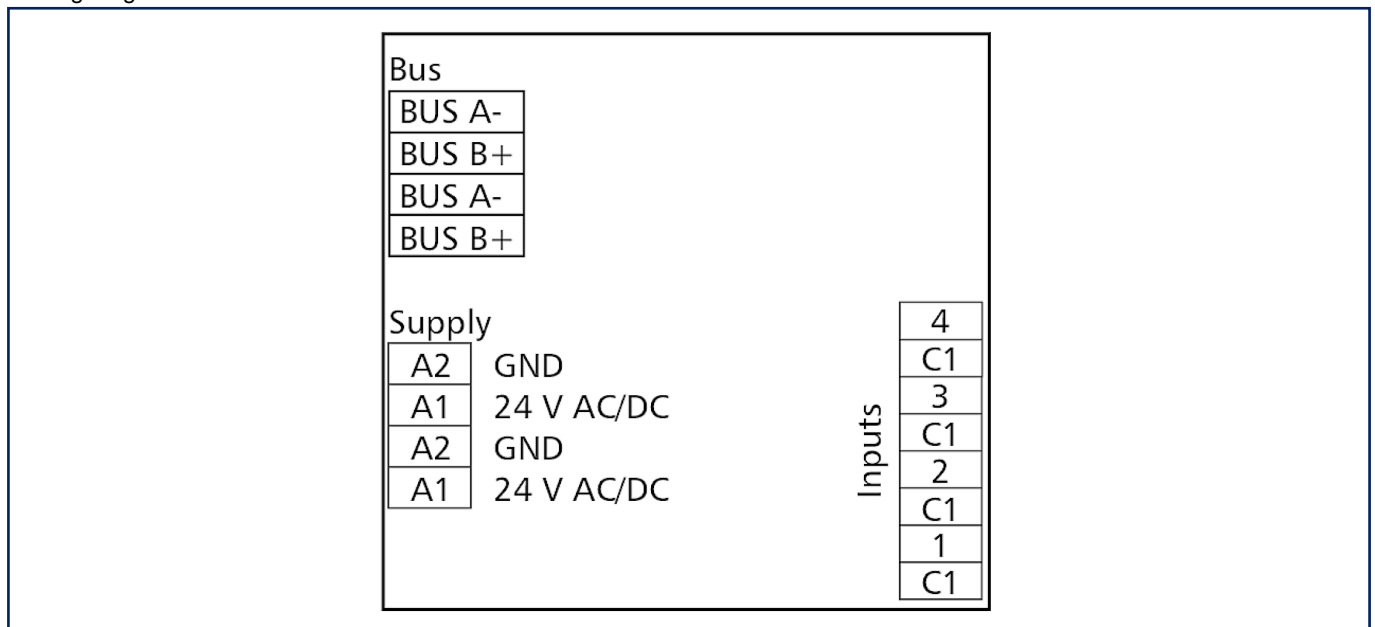
© 2022 METZ CONNECT - Technische Änderungen vorbehalten! Subject to modifications! Sous réserve de modifications techniques!

Illustrations

Dimensional drawing

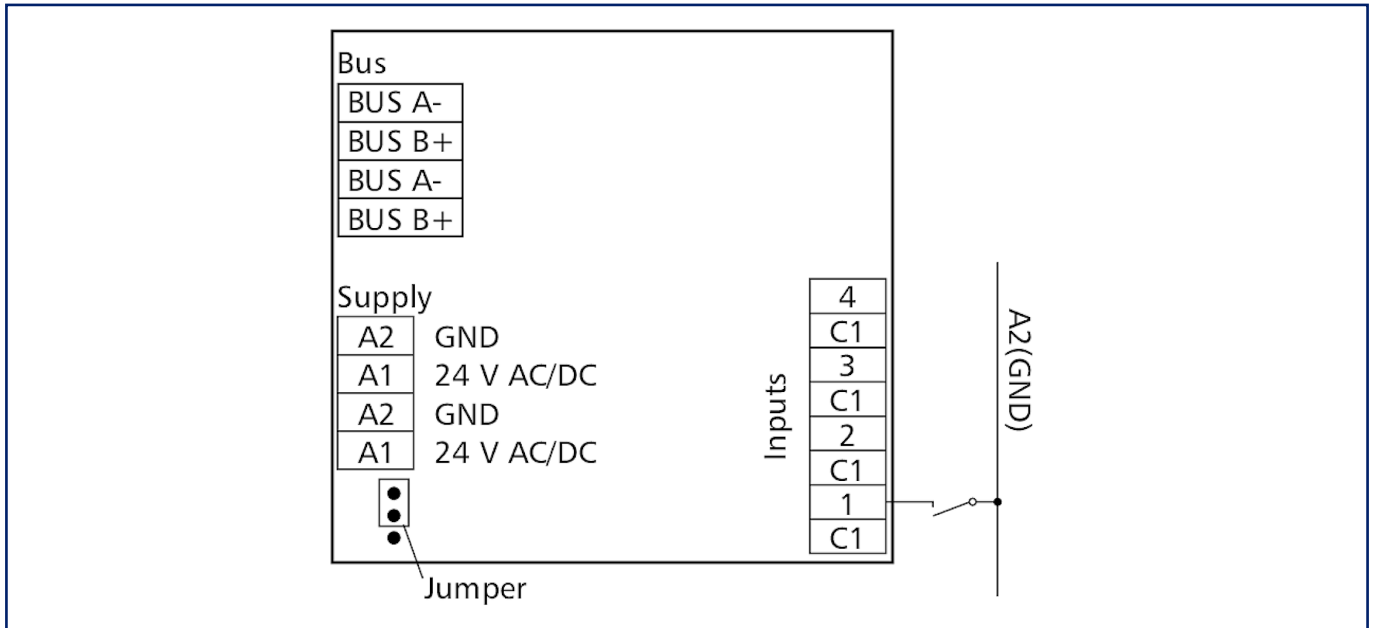


Wiring diagram

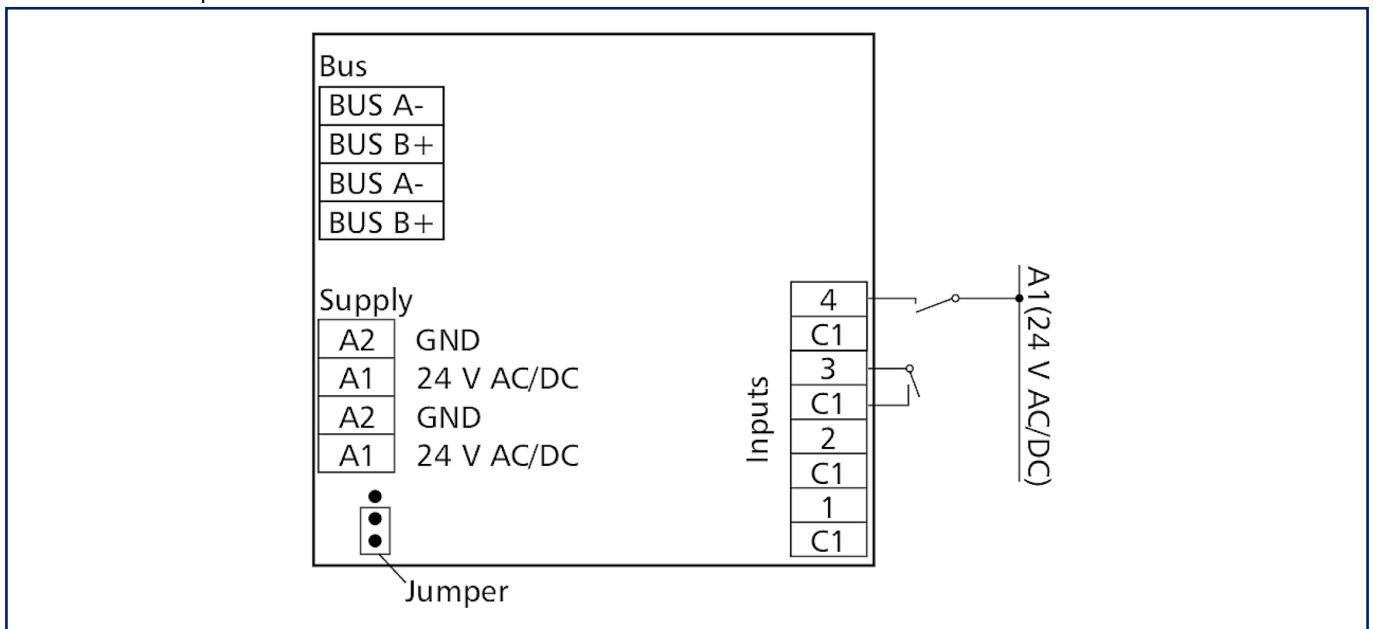


Illustrations

Connection example

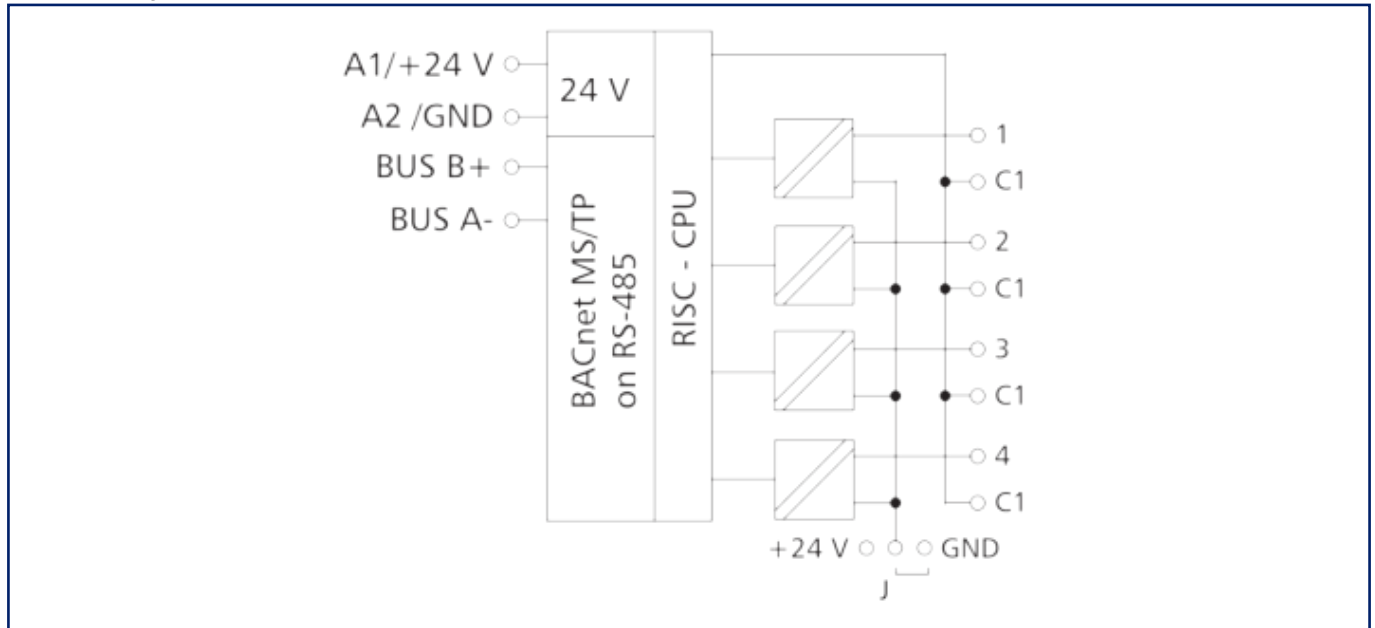


Connection example



Illustrations

Principle diagram



© 2022 METZ CONNECT - Technische Änderungen vorbehalten! Subject to modifications! Sous réserve de modifications techniques!