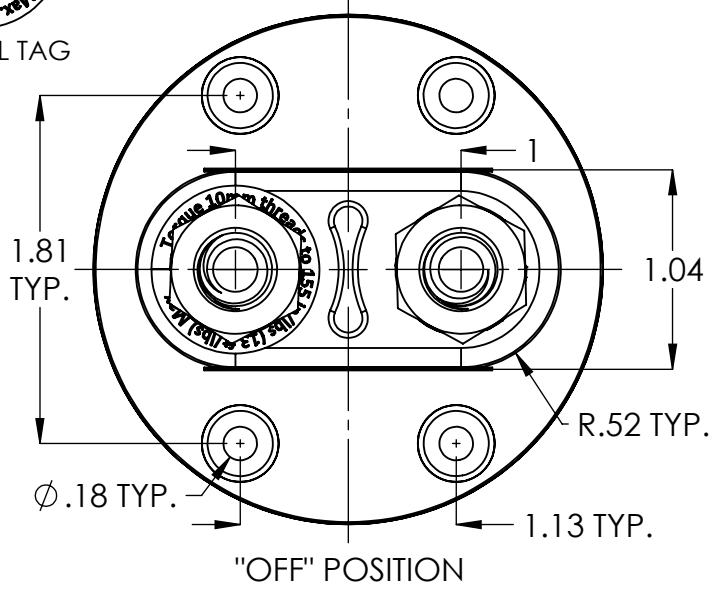
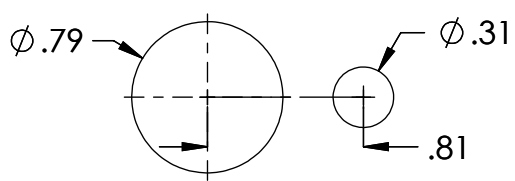


TERMINAL TAG

MOUNTING DETAIL



Technical data:

| | |
|----------------------------------|--|
| Key Material: | Plated Steel |
| Upper Housing Material: | Zinc Diecast |
| Lower Housing Material: | GP Phenolic |
| Min. Insulation Resistance: | 100 Mohm |
| Dielectric Withstanding Voltage: | 1,100V -1min |
| Voltage Drop Max.: | 0.175 mV |
| Voltage: | 48 VDC |
| Continuous Rating: | 300 A |
| Overload: | 1,100 A - 240sec. 1,500 A - 90sec. 2,000 A - 30sec |
| Sealing: | IP67 |
| Vibration: | 4G / 50-2KHz |
| Shock: | 6G / 11ms |
| Temperature Range: | -40C to +85C |
| Terminal Torque: | 155 in.lb |
| Mounting Torque: | 18 ft.lb |

503S-300 YYWW
48VDC-300AMPS

PRODUCT LABEL

UPC LABEL

1.5 TYP.

308 COMPONENTS DRIVE, SMITHFIELD, NC 27577 USA
DO NOT SCALE DRAWING

TITLE: **BATTERY SWITCH, 48VDC-300AMPS, KEYED**

BLANK WEIGHT: - PART WEIGHT: 0.75 LBS

SIZE **A** DWG. NO. **503S-300** REV. **D**

SCALE:1:2 FILENAME: 503S-300 WWW.SHALCO.COM

PROPRIETARY AND CONFIDENTIAL
This document contains proprietary data for products designed by Shallco, Inc., of Smithfield, NC. No disclosure, reproduction, or use of any part thereof may be made except by written permission.

| REV. | DESCRIPTION | DATE | APP'D |
|------|-------------|------|-------|
| | | | |

DWG NO: 503S-300