

MDP CONTROL SERIES

DART

CONTROLS

Instruction Manual

Field Programmable Closed Loop DC Speed Control



**P.O. Box 10
5000 W. 106th Street
Zionsville, Indiana 46077**

**Phone (317) 873-5211
Fax (317) 873-1105
www.dartcontrols.com**

Quick Jump

What models and options are available?

See page 3.

Looking for detailed specifications?

See page 3 & 4.

Want to get started fast?

See basic electrical hook-up details on page 8.

See mechanical installation details on page 4 & 5.

Need Help?

See troubleshooting on page 24.

Warranty

Dart Controls, Inc. (DCI) warrants its products to be free from defects in material and workmanship. The exclusive remedy for this warranty is DCI factory replacement of any part or parts of such product which shall within 12 months after delivery to the purchaser be returned to DCI factory with all transportation charges prepaid and which DCI determines to its satisfaction to be defective. This warranty shall not extend to defects in assembly by other than DCI or to any article which has been repaired or altered by other than DCI or to any article which DCI determines has been subjected to improper use. DCI assumes no responsibility for the design characteristics of any unit or its operation in any circuit or assembly. This warranty is in lieu of all other warranties, express or implied; all other liabilities or obligations on the part of DCI, including consequential damages, are hereby expressly excluded.

NOTE: Carefully check the control for shipping damage. Report any damage to the carrier immediately. Do not attempt to operate the drive if visible damage is evident to either the circuit or to the electronic components.

All information contained in this manual is intended to be correct, however information and data in this manual are subject to change without notice. DCI makes no warranty of any kind with regard to this information or data. Further, DCI is not responsible for any omissions or errors or consequential damage caused by the user of the product. DCI reserves the right to make manufacturing changes which may not be included in this manual.

WARNING

Improper installation or operation of this control may cause injury to personnel or control failure. The control must be installed in accordance with local, state, and national safety codes. Make certain that the power supply is disconnected before attempting to service or remove any components!!! If the power disconnect point is out of sight, lock it in disconnected position and tag to prevent unexpected application of power. Only a qualified electrician or service personnel should perform any electrical troubleshooting or maintenance. At no time should circuit continuity be checked by shorting terminals with a screwdriver or other metal device.

Table of Contents

Introduction	2
General Features	2
Models & Options	3
Model Table.....	3
Available Options.....	3
Recommended Accessories.....	3
Agency Approvals.....	3
Specifications	3
Electrical.....	3
Mechanical.....	4
Environmental.....	4
Dimension Chart.....	4
Installation and Mechanical Dimensions	5
Exploded Panel View.....	5
Cut-out and Mounting Dimensions.....	6
PU-E Series Pickup Installation.....	7
Electrical Installation & Diagrams	8
P1 Terminal Block Hook-Up Diagrams.....	8
P1 Terminal Block Descriptions.....	9
-1 Option Wiring.....	10
Basic Operating Instructions	10
Control Algorithm Discussion.....	10
Pulse-Accumulation Loop PI Tuning.....	10
Master (Rate and Time) and Follower (Ratio) Modes Explained.....	11
Visual Reference.....	12
How to Change a Parameter's Value (The Short Story).....	12
Operating the User Interface (The Long Story).....	12
Detailed Configuration Instructions	13
Default Configuration.....	13
Resetting the Unit to Factory Defaults.....	13
JP1 (Program Enable Jumper).....	13
Software Parameters.....	14
Parameter Descriptions.....	16
Troubleshooting	24
Technical Support Options.....	24
What's Special About www.dartcontrols.com ?.....	24

Introduction

The MDP series motor controls are compact, microprocessor-based units capable of being either field or factory configured for a number of industry's motion control needs. These controls are designed around a pulse-accumulation PI algorithm. They can be easily configured to operate as a digital speed controller, time-based process controller, or a ratiometric follower controller in master-slave systems. Utilizing Dart's new modular bus design techniques, the MDP series is ideal for volume OEM applications requiring specialized inputs and outputs. Contact Dart Controls' Sales Department for details. This flexibility makes the MDP series ideal for applications such as:


- Water and Waste Treatment Systems
- Conveyor Oven Controllers
- Synchronized Conveyor Lines

Its durable 1/8 and 1/4 DIN aluminum housings can be easily mounted in a panel or control cabinet. New optional pluggable terminal block allows the installer to quickly install or replace units without the hassle of physically removing and reattaching wires. The units can be ordered with either standard European-style terminal block or optional "pluggable" connector.

General Features

- Microprocessor-based design combines the ultimate in responsiveness and accuracy in one package
- Digital closed-loop algorithm ensures long-term accuracy of +/-1/2 RPM of set speed or equiv.
- Non-volatile memory stores adjustable parameters even when power has been removed
- Factory or field programmable via front-panel keypad
- Adjustable parameters include min, max, accel, decel, display options, alarm options, etc.
- Internal program-enable jumper selectively prevents tampering with unit's configuration
- Universal power supply accepts line voltages inputs from 85-265VAC @ 50-60Hz without switches or jumpers. The unit automatically adjusts as needed.
- Transient voltage protection prolongs unit's life in harsh industrial environments
- Compatible with a variety of signal input types including: Hall-Effect Pickups, Photoelectric, TTL, etc.

Note: Open collector devices must be capable of sinking 3mA.

- Self-contained power supply for external sensor, limited to 5V @ 50mA
- Programmable alarm output with Form C contacts rated to 250VAC @ 5A
- Flexible user inputs support inhibit, emergency stop, and jog functionality.
- 1/8 and 1/4 DIN durable aluminum housing for panel mounting the MD10P and MD3P, respectively.
- Large 4 digit, 1/2" LED display
- G.E. Lexan membrane and gasket (which are included) meet NEMA 4X standards when used with NEMA 4X enclosures
- European terminal block or pluggable terminal block available
-  Recognized, file #E78180 (MD10P, MD3P & MD3E)
- Wide operating ambient temperature range of -10C to 45C (14F to 113F)
- Multiple operating modes including:
 - Master, Rate Mode – Controls in rate unit such as RPM, Gallons per Second, etc.
 - Master, Time Mode – Controls in time unit such as HH:MM, MM:SS, SS:TT, or other unit
 - Follower Mode – Controls in percentage of master rate. This mode allows the MDP control to precisely follow the actions of a master process without any long-term loss of position

Models & Options

Model Table

Model	Input Voltage @ 50 - 60Hz	Output Voltage @ 120VAC (@ 240VAC)	Max. Output H.P. @ 120VAC (@240VAC)	Max Continuous Armature DC Amps	Pickup or Encoder Required?
MD10P	85-265VAC	90VDC (180VDC)	1/2 1	5 5	Yes
MD3P	85-265VAC	90VDC (180VDC)	1 2	10 10	Yes
MD3E	85-265VAC	90VDC (180VDC)	1 2	10 10	Yes



Available Options

Option Suffix	Description	Example
-1	Expansion board which adds support for remote push button wiring via a European-style terminal block.	MD10P-1, MD3P-1
-P	Optional pluggable European-style terminal block	MD10P-P, MD3P-1-P
-9	Blank Lexan	MD10P-9

Recommended Accessories

Model	Description	Pulses per Revolution	RPM Range When Used With MD10P & MD3P
PU-2E	Hall-Effect Pickup, Single Channel	1	1.0 – 50,000 RPM
PU-4E	Hall-Effect Pickup, Single Channel	2	0.5 – 25,000 RPM
PU-20E	Hall-Effect Pickup, Single Channel	10	0.1 – 5,000 RPM
PU-40E	Hall-Effect Pickup, Single Channel	20	0.05 – 2,500 RPM

Agency Approvals

 Recognized Component MD10P, MD3P	E78180
 MD3E	34M5
NEMA 4X	MD10P / MD3P / MD3E

Specifications

Electrical

Line Input Voltage	Any Voltage from 85-265 VAC
Line Input Frequency	Any Freq. from 48-62 Hertz
Signal Input Voltage Range	0-5VDC to 0-24VDC square wave
Signal Input Frequency Range	0 – 50,000 Pulses per Minute (Higher frequencies are possible when using internal frequency divisor / prescaler)
Display Range	0.001 – 99,990
Units of Operation	User Programmable, any Unit
Sensor / Pickup Power Supply	5V @ 50mA
Isolated Alarm Relay Output Ratings250VAC @ 5A
Average Armature Output Voltage	Line Input Voltage Dependent (See model table)
Design Overload Capacity	200% for 1 minute

Mechanical

Display Type	LED, Red, 4 Digit, ½" Height
Housing Type MD10P & MD3P (with supplied gasket)	NEMA 4X
MD3E	NEMA 4
Connector Style (pluggable connector optional)	12-position 5mm European Style
Terminal Block Torque Setting	4.4 in. lb. Max or .5Nm
Faceplate Material	Polycarbonate with GE Lexan Overlay
Housing Material	Aluminum
Length MD10P & MD3P(Required Panel Depth)	4.625", 117.48mm
Faceplate Width	4.539", 115.29mm
Weight MD10P	0.8425 lb, 13.48 oz, 382.14g
MD3P	1.52 lb, 24.32 oz, 689.44g
MD3E	1.64 lb, 26.24 oz, 743.88g

Environmental

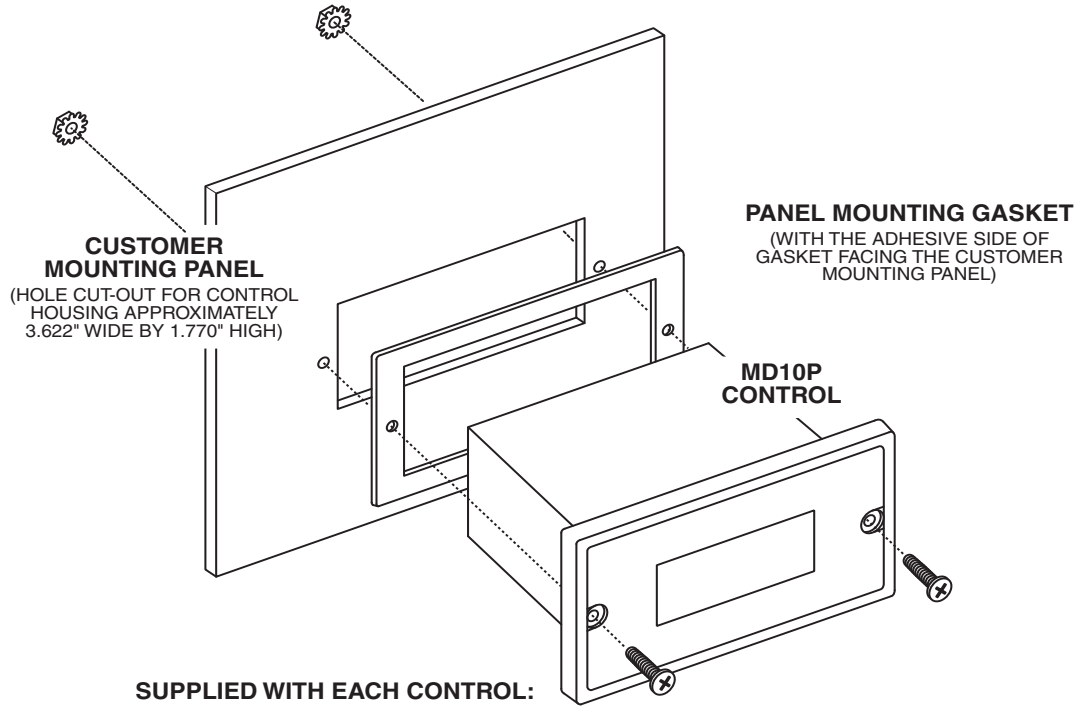
Operating Temperature Range	-10C to 45C (15F to 115F)
Operating Humidity Range	95%, non-condensing

Dimension Chart

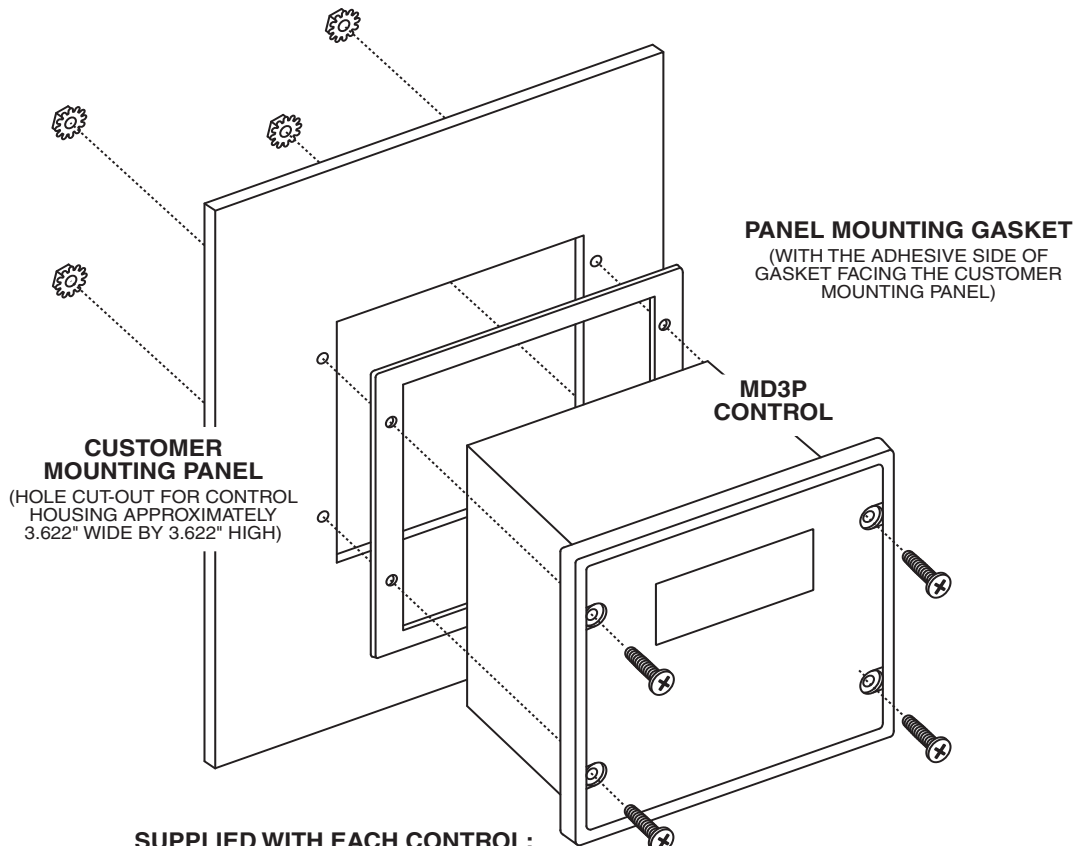
<i>Model</i>	<i>Width</i>	<i>Height</i>	<i>Depth</i>
MD10P English (inches)			
Housing	3.62	1.66	4.625
Lens	4.539	2.289	0.375
MD10P Metric (millimeters)			
Housing	91.94	42.16	117.27
Lens	115.28	58.14	9.53
MD3P English (inches)			
Housing	3.60	3.497	4.625
Lens	4.539	4.179	0.375
MD3P Metric (millimeters)			
Housing	91.44	88.82	117.27
Lens	115.28	106.15	9.53
MD3E English (inches)			
Assembly	5.53	7.40	3.90
MD3E Metric (millimeters)			
Assembly	140.46	187.96	99.06

Installation and Mechanical Dimensions

Exploded Panel View

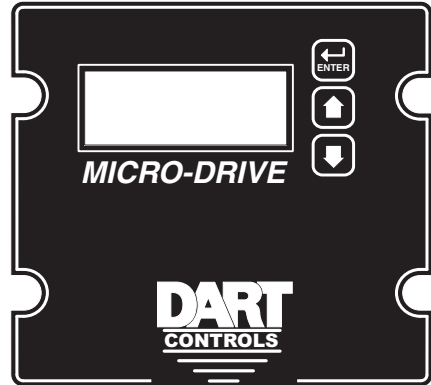
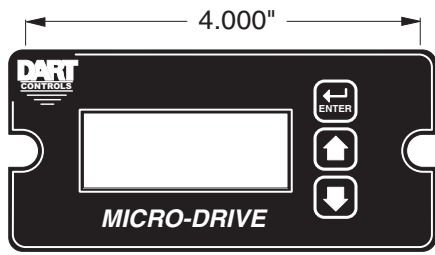


- SUPPLIED WITH EACH CONTROL:**
- 1) GASKET
 - 2) (2) 6-32 X 3/4 PANHEAD BLACK OXIDE STAINLESS SCREWS
 - 3) (2) #6 NUT WITH LOCKWASHER

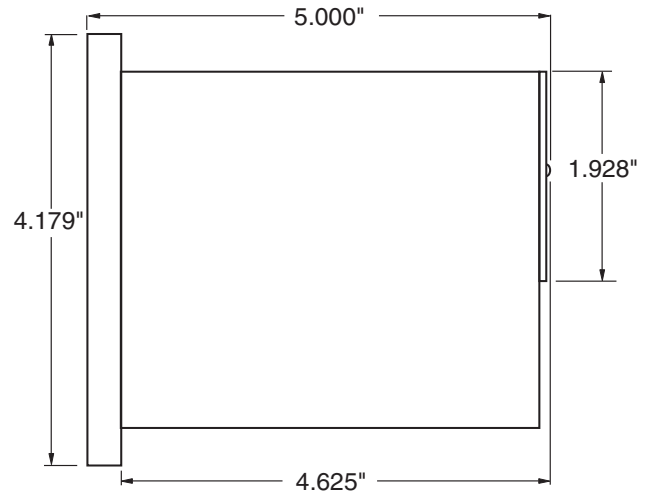
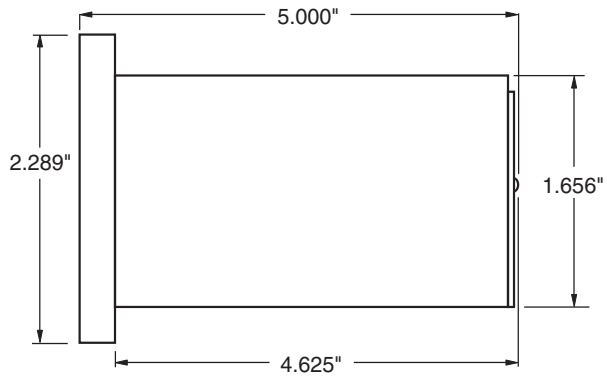
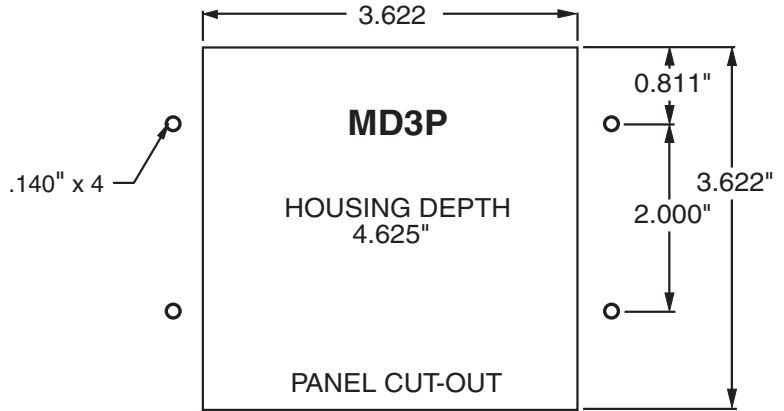
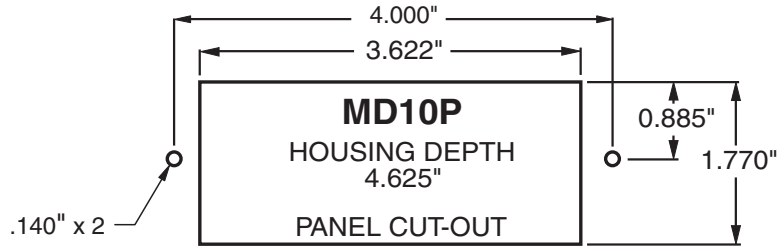


- SUPPLIED WITH EACH CONTROL:**
- 1) GASKET
 - 2) (4) 6-32 X 3/4 PANHEAD BLACK OXIDE STAINLESS SCREWS
 - 3) (4) #6 NUT WITH LOCKWASHER

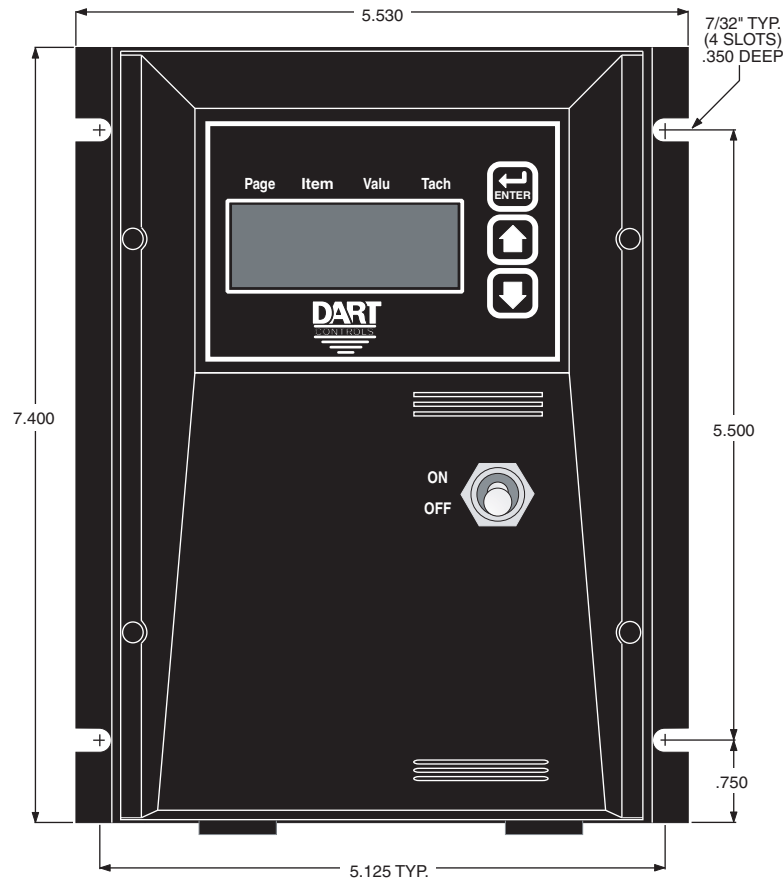
Cut-out and Mounting Dimensions



MD10P and MD3P Dimensions

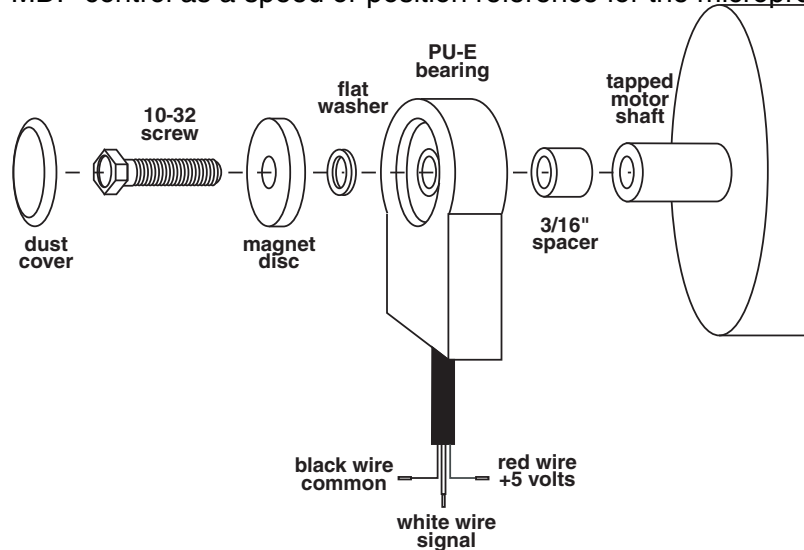


MD3E Mounting and Dimensions



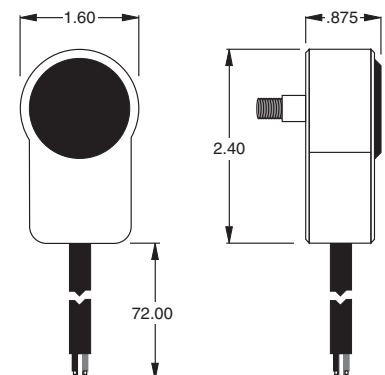
PU-E Series Pickup Installation

The PU-E series pickup is an economical way to monitor motor speed. Its patented design provides for ease of installation in otherwise difficult to reach areas. The PU-E operates from a +5V power supply, producing a 5 volt square wave whose frequency is proportional to speed. This signal is fed into the MDP control as a speed or position reference for the microprocessor.



Model Number	Pulses per Revolution
PU-2E	1
PU-4E	2
PU-20E	10
PU-40E	20

Dimensions



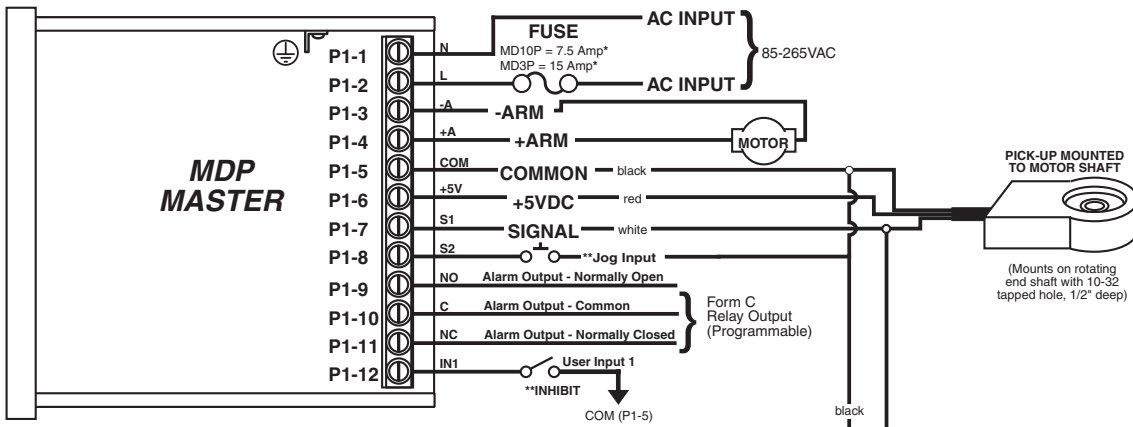
CAUTION:
DO NOT OVERTIGHTEN MOUNTING SCREW !!

No other mounting screws are necessary, as the cord will keep the unit from rotating.

Caution: The PU-E cord should not be grouped with other wires or cords. For applications with PU-E wire over 6 feet long, or noisy environments, a shielded cable is recommended. Connect the shield to the common terminal on the MDP, leaving the shield on the PU-E end floating.

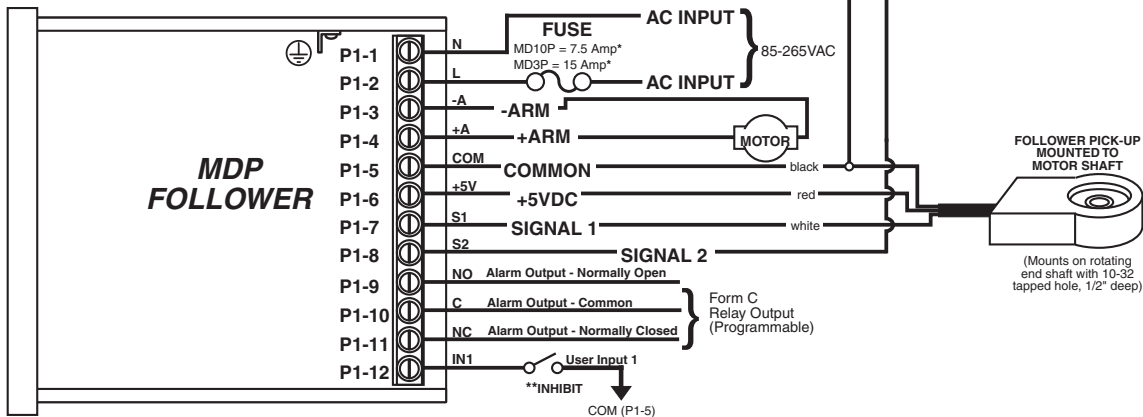
Electrical Installation & Diagrams

P1 Terminal Block Hook-Up Diagrams



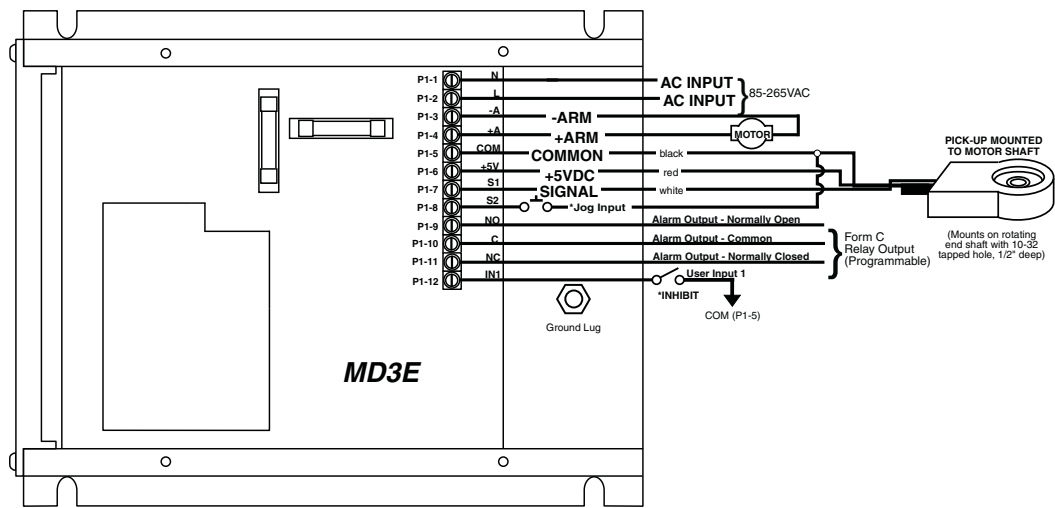
* For AC inputs utilizing two hot lines, both inputs should be protected with appropriately sized fuses or circuit breakers.

** P1-8 & P1-12 user input may be programmed for a number of functions. Including (jog, inhibit, etc.)



* For AC inputs utilizing two hot lines, both inputs should be protected with appropriately sized fuses or circuit breakers.

** P1-8 & P1-12 user input may be programmed for a number of functions. Including (jog, inhibit, etc.)



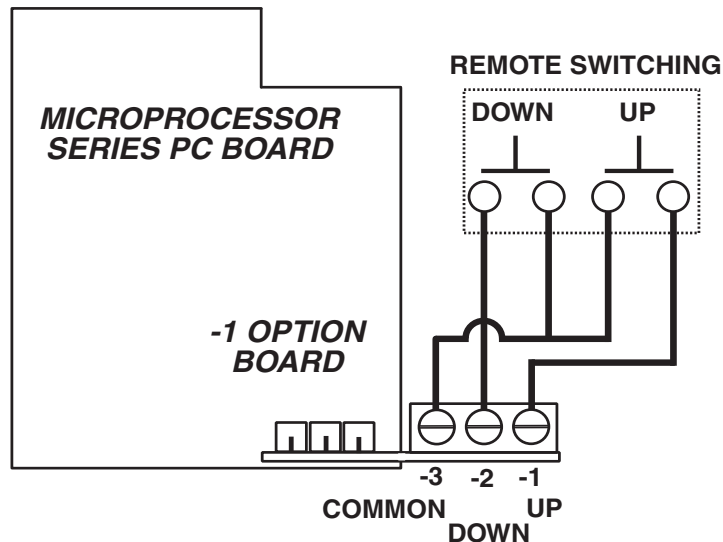
* P1-8 & P1-12 user input may be programmed for a number of functions. Including (jog, inhibit, etc.)

P1 Terminal Block Descriptions

- P1-1 (AC / N) – For single phase AC lines connect the Neutral side of your AC line to this terminal. For systems with two hot AC lines, connect either of the Hot AC lines to this terminal.
- P1-2 (AC / L) – For single phase AC lines connect the Hot side of your AC line to this terminal. For systems with two hot AC lines, connect either of the Hot AC lines to this terminal.
- P1-3 (-A) - This is the -Armature terminal. For normal rotation of your motor you should connect the -Armature lead of your motor to this terminal. The +Armature lead of your motor will be connected here when a reverse directional rotation of the armature is desired.
- P1-4 (+A) - This is the +Armature terminal. For normal rotation of your motor you should connect the +Armature lead of your motor to this terminal. The -Armature lead of your motor will be connected here when a reverse directional rotation of the armature is desired.
- P1-5 (COM) – This is the common point for the control logic. The speed sensor common lead as well as any other source needing to reference the control common will be connected to this terminal.
- P1-6 (+5V) – This is a self-contained +5VDC power supply capable of up to 50mA. The speed sensor supply lead can be connected to this terminal for its power source.
- P1-7 (S1) – This is the signal input terminal for the motor's digital pickup or encoder.
- P1-8 (S2) – This input can be programmed to perform a number of advanced functions. In Follower Mode, this input is the signal input terminal for the master's digital pickup or encoder. In Master modes (Rate and Time), this input can be configured to function as an emergency stop, inhibit, or jog command.
- P1-9 (NO) – This is the normally-open contact of the user assignable relay output.
- P1-10 (C) – This is the common contact of the user assignable relay.
- P1-11 (NC) – This is the normally-closed contact of the user assignable relay output.
- P1-12 (IN1) – This input can be programmed to perform a number of advanced functions. It can be configured to function as an emergency stop, inhibit, or jog command.

-1 Option Wiring

The -1 option board is a module which allows external up and down push buttons to be wired to the unit. These buttons operate exactly like the Up and Down buttons on the user interface. This module is commonly used to allow PLCs or hand-held pendants to operate the front-panel remotely. Wire for the external buttons are attached via a 3mm European terminal block on the -1 option board. The buttons are activated by shorting the terminal labeled Com to either the Up or Down terminal.



Basic Operating Instructions

Control Algorithm Discussion

The MDP series controls are based on a pulse-accumulation algorithm. The advantage to this type of algorithm is that it allows the control to follow a master process with exceptional long-term accuracy. The MD10P and MD3P controls have three parameters which allow the user to adjust how aggressively the units drive the motor to achieve the target speed. These 3 parameters are as follows:

P Gain - This is the proportional gain for the control loop. In pure pulse-accumulation algorithms, there is no loop error to base a 'P' factor on; therefore, these units must estimate error based on several control loop factors. Those who are familiar with PID control tuning should be aware that the MD10P and MD3P control's P Gain is somewhat different than that of standard velocity-form PID algorithms. The P Gain is a function of instantaneous error, a measure of the difference between the target (desired) speed and the current speed of the motor.

I Gain - This is the integral gain for the control loop. The I Gain is a function of accumulated error, a measure of the difference between the target (desired) speed and the current speed of the motor.

Pulse Accumulation Limit - This parameter allows the user to limit the maximum number of pulses the drive will accumulate prior to intentionally losing count and therefore long-term accuracy. See the details for parameter 29 in the Parameter Description section.

Pulse-Accumulation Loop PI Tuning

Many applications do not require tuning of the P and I Gain parameters beyond the supplied factory default settings. If more responsiveness is desired or if the motor oscillates an unacceptable amount when changing speeds, it may be necessary to adjust the P and I gains to obtain optimal performance.

Increasing the P and/or I gains will cause the control to drive the motor more aggressively. Decreasing the P and/or I gains will cause the control to perform more sluggishly. Properly tuning the P and I gains encompasses more than independently adjusting the P and I. The ratio between the two is very important as well. Although initial tuning can be a time-consuming task, here is a basic outline of how to proceed:

Test Procedure: Adjust the target (displayed) speed as expected during normal operation, including testing inhibit and jog transitions if applicable.

Tuning Method:

Step 1 - Connect control to loaded motor with application's anticipated load for realistic tuning

Step 2 - Perform test procedure

Step 3 - If control performs adequately, stop tuning and record settings

Step 4 - If control is too sluggish or takes too long to reach the target speed, then try increasing I Gain slightly (add 250). Perform the test procedure again. Continue increasing I Gain until motor starts to slightly oscillate or become unstable. At this point, decrease the I Gain by 250.

Step 5 - If control is too aggressive or is causing the motor to oscillate or become unstable, then try decreasing I Gain slightly (subtract 250). Perform the test procedure again. Continue decreasing I Gain until motor starts to stabilize and regulate more accurately.

Step 6 - Once I is set, adjust P Gain and perform test procedure. In this control, additional P Gain may or may not improve response or stability. Experimentation will be required.

Accel and decel settings have a small impact on PI tuning as well. Specifically, when accel and decel settings are extremely fast, they can cause the control loop to perform more sluggishly. Another thing to keep in mind is that PI tuning also affects accel and decel times. For instance, a sluggishly tuned PI control loop may take longer than the programmed accel and decel times to reach the target; whereas, an aggressively tuned PI control loop will reach the target faster.

Master (Rate and Time) and Follower (Ratio) Modes Explained

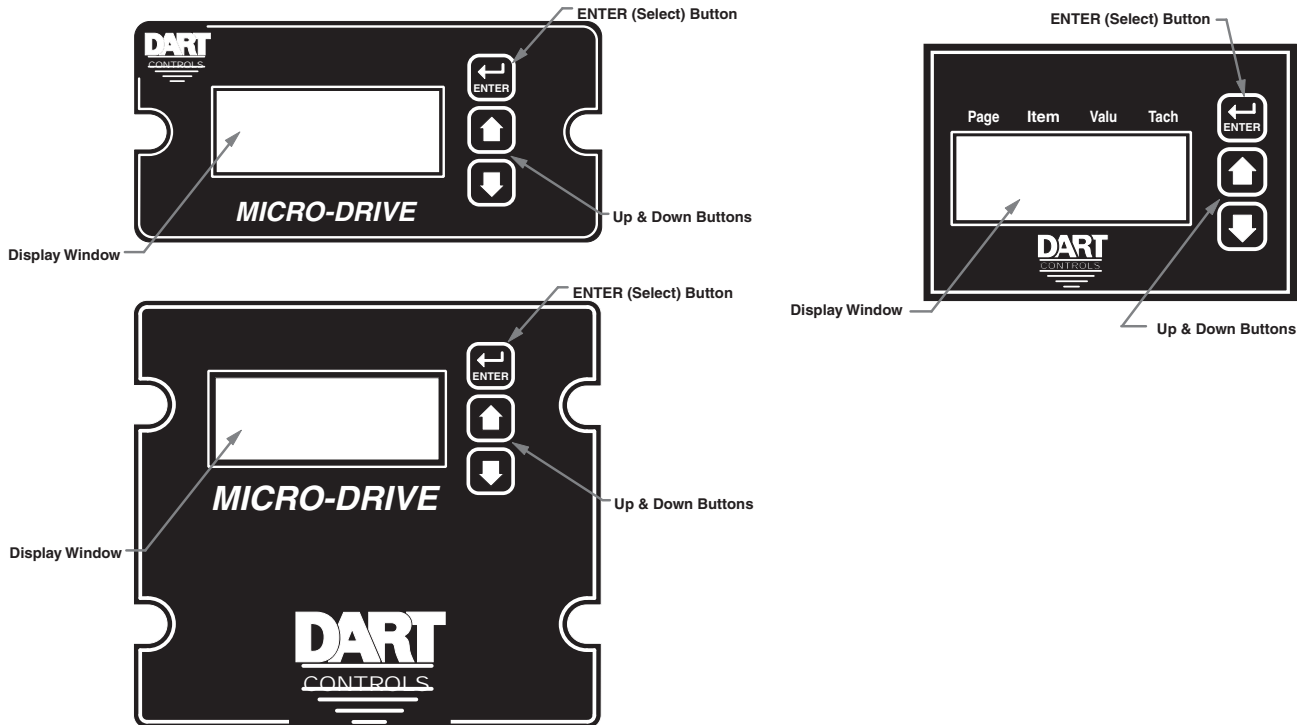
The MDP controls have two basic modes of operation, master and follower. In the Master modes, the controls are capable of operating independently; whereas, in the Follower Mode, the control requires a signal from a master to operate. The Follower Mode is used in applications which require the MDP to closely follow a master process. For example, if a factory has ten conveyors which must be synchronized over long periods of time, an industrial engineer could use one MDP as a master control for the first conveyor and nine MDPs as slaves or followers which would receive their speed commands from the first conveyor's master control or pickup.

In Master Rate Mode, the MDP controls the rate of the motor by tracking the motor's pickup pulses which are applied to signal input 1 (S1). In this mode, the display indicates in rate units such as Gallons-per-minute, feet-per-second, and RPM.

In Master Time Mode, the MDP controls the process time by tracking the motor's pickup pulses which are applied to signal input 1 (S1). In this mode, the display indicates in time units such as HH:MM or MM:SS, where HH is hours, MM is minutes, and SS is seconds. This mode is most-commonly used in time-sensitive processes such as conveyor ovens and plating applications.

In Follower Mode, the MDP tracks the number of pulses which are applied to the master signal input (S2). From these pulses, it calculates the rate of the master process. This rate is then multiplied by the percentage which is displayed on the user interface. The display is in 0.1% of master units. For example, 675 = 67.5 percent of master speed. A master running at 1350 RPM, would cause the follower to run its motor at $67.5\% * 1350 \text{ RPM}$ or 911.25 RPM. Typical follower applications include synchronized rotation, synchronized conveyors, and some web-material processes.

Visual Reference



How to Change a Parameter's Value (The Short Story)

1. Hold down the Enter button until Parameter-Selection Mode is entered
2. Using the Up and Down buttons, select the desired parameter number to view or edit
3. Press the Enter button to change the value of the parameter
4. Using the Up and Down buttons, change the parameter's value as desired
5. Press the Enter button to permanently save the changes (Return to Parameter-Selection Mode)
6. Select parameter zero and press the Enter button to return to Running Mode

Operating the User Interface (The Long Story)

Although the MDP user interface is very versatile, it is also simple to setup and operate. With just a few button presses, it allows the user to configure a number of adjustable parameters. The LED display has three basic operating modes: Running Mode, Parameter-Selection Mode, and Value Mode. Each of the three modes have specific visual indicators that allow the user to immediately determine the current state or mode of the user interface. **Parameter-Selection Mode and Value Mode can only be entered if the Program Enable jumper is in the “On” position.**

Running Mode is the default display of the unit when power is applied. The MDP will spend the majority of its time in this mode. In Running Mode, the display shows the target value in the appropriate user-defined format of rate, time, or percentage. The control will continuously attempt to drive the motor at the requested target rate. In this display mode, the Up and Down buttons increase or decrease the displayed target value until either the display minimum or display maximum limit is reached. Depending on the alarm configuration, these buttons may also serve as an alarm-silence or alarm-reset button. Example displays for rate, time, and follower operating modes are 13.60, 45:30, and 1000.

Parameter-Selection Mode can be entered by simply pressing and holding the Enter button down for three seconds. Once in Parameter-Selection Mode, the far left of the display will be a 'P'. The right side of the display will indicate the currently selected parameter number for editing purposes. Pressing the Up or Down button will increase or decrease the selected parameter number on the display. Although the parameter numbers are in numerical order, some numbers are skipped. These numbers represent reserved parameters that are not yet implemented and are not displayed. Once the desired parameter number is displayed, a press of the Enter button will change the display to the Value Mode. **When in Parameter-Selection Mode, pressing the Enter button with parameter 0 selected will cause the unit to return to Running Mode.** Example displays for Parameter-Selection Mode are P 1, P 13, and P 54. See the Software Parameters for a list of available parameters.

Value Mode is used to modify the value of the selected parameter. When in Value Mode, the two dots which form the colon, between digits two and three, will alternately flash (one, then the other) to inform the user that a parameter's value is being edited. Pressing the Up or Down button increases or decreases the selected parameter's value. See the Software Parameters for a list of allowable values and ranges. Value changes take effect immediately. For example, when scrolling through the alarm output conditions, the relay will activate as the always-active selection is passed. Once the desired value is showing in the display window, pressing the Enter button again will return to Parameter-Selection Mode. The new value is not saved in permanent memory until the Enter button is pressed. Removing power from the unit while in Value Mode may result in the specified new value being lost.

Detailed Configuration Instructions

Default Configuration

When shipped from the factory, the following basic settings are in place:

Rate Mode Operation in RPM

S1 and S2 Signal Input Pulses per Revolution: 1

Decimal Point Display: Off

Display Range: 0 - 2400

Speed Range: 0 - 2400 RPM

Accel and Decel: 2500 RPM per second

Signal Input 2 (S2) Mode: Jog @ 1000 RPM when Low

User Input 1 (UIN1) Mode: Emergency Stop when Low

Alarm Output: Disabled

Resetting the Unit to Factory Defaults

The factory-default settings can be easily restored using either of two methods. Both methods require the Program Enable jumper to be in the "On" position. The first is to apply power to the unit with both the Enter and Down buttons pressed for 3 seconds. The second is to change the value of parameter 95 to 5.

JP1 (Program Enable Jumper)

The JP1 jumper is located under the dust cover on the back end of the upper board. When the jumper is set to the "Off" position, all programming features are locked out to the front panel user. When the jumper is in the "On" position, the programming parameters are open to change. JP1 is shipped from the factory set in the "On" position.

Software Parameters

Parameter	Description	Value Range (units)	Factory Default	User Settings
0	Selecting this item exits to Running Mode	n/a	n/a	
	Read-Only Parameters			
1	Model Number	10 – MD10P Unit 11 – MD3P Unit 13 – MD3E Unit	10, 11, or 13	
2	Software Build	1 – 9999	n/a	
3	Hardware Version	1 – 9999	n/a	
4	Serial Number – Major (reserved)	n/a	n/a	
5	Serial Number – Minor (reserved)	n/a	n/a	
	General Setup			
10	Operating Mode	1 – Rate Mode 2 – Time Mode 3 – Follower Mode	1	
11	Display Intensity	0 – 31 (Dim – Bright)	20	
13	Decimal Point Position	0 – DP Disabled (XXXX) 1 – X.XXX 2 – XX.XX 3 – XXX.X 4 – XXXX.	0	
14	Keypad Mode	1 – Linear, Constant Rate 2 – Non-linear, Accelerating Rate	2	
15	Keypad Scroll Delay	0 – 30 (Fast – Slow)	10	
16	S1 / S2 Input Edge & Prescaler Configuration	0 – S1 is Rising/1 S2 is Rising/1 1 – S1 is Falling/1 S2 is Rising/1 2 – S1 is Falling/4 S2 is Rising/1 3 – S1 is Falling/16 S2 is Rising/1 4 – S1 is Rising/1 S2 is Falling/1 5 – S1 is Falling/1 S2 is Falling/1 6 – S1 is Falling/4 S2 is Falling/1 7 – S1 is Falling/16 S2 is Falling/1 8 – S1 is Rising/1 S2 is Falling/4 9 – S1 is Falling/1 S2 is Falling/4 10 – S1 is Falling/4 S2 is Falling/4 11 – S1 is Falling/16 S2 is Falling/4 12 – S1 is Rising/1 S2 is Falling/16 13 – S1 is Falling/1 S2 is Falling/16 14 – S1 is Falling/4 S2 is Falling/16 15 – S1 is Falling/16 S2 is Falling/16	0	
18	Power-up Mode	1 – Default to Zero Display 2 – Default to Power-up Value 3 – Default to Previous Running Val.	3	
19	Power-up Value	0 – 9999 (Display Units)	0	
	Display & Control Loop Setup			
20	Display Minimum	0 – 9998 (Display Units)	0	
21	Display Maximum	1 – 9999 (Display Units)	2400	
23	Accel Setting	1 – 9999 (Display Units)	2500	
24	Decel Setting	1 – 9999 (Display Units)	2500	
26	Proportional Gain	0 – 9999 (Not Unit-specific)	0	
27	Integral Gain	1 – 9999 (Not Unit-specific)	5000	
29	Pulse Accumulation Limit	2 – 5000 (Not Unit-specific)	15	
	Signal Input #1 (S1) Setup			
30	S1 Display Reference	0 – 9999 (Display Units)	2400	
31	S1 Reference RPM	0 – 9999 (RPM)	2400	
32	S1 Pulses per Revolution	1 – 2048 (PPR)	1	
33	S1 Deadband (Follower Mode Only)	0 – 1000 (Seconds)	0	

Software Parameters, cont'd

Parameter	Description	Value Range (units)	Factory Default	User Settings
	Signal Input #2 (S2) Setup			
35	S2 Input Configuration	1 – Disabled (Follower Mode) 2 – E-Stop When S2 High 3 – E-Stop When S2 Low 4 – Inhibit When S2 High 5 – Inhibit When S2 Low 6 – Jog When S2 High 7 – Jog When S2 Low	7	
36	S2 Setpoint	1 – 9999 (Display Units)	1000	
37	S2 Pulses per Revolution	1 – 2048 (PPR)	1	
38	Front Panel DoubleClick Mode	0 – Hardware Inhibit 1 – DoubleClick Toggles Inhibit	0	
	User Input #1 (UIN1) Setup			
40	UIN1 Input Configuration	1 – Disabled 2 – E-Stop When UIN1 High 3 – E-Stop When UIN1 Low 4 – Inhibit When UIN1 High 5 – Inhibit When UIN1 Low 6 – Jog When UIN1 High 7 – Jog When UIN1 Low	3	
41	UIN1 Setpoint for Jog	1 – 9999 (Display Units)	1000	
	Alarm Output #1 Configuration			
50	Alarm Activation Conditions	0 – Always Off 1 – Always On 2 – Active when Above upper limit 3 – Active when Below lower limit 4 – Active inside Range 5 – Active outside Range 6 – Active when Target = 0 7 – Active when no Pickup Pulses detected 8 – Active when at Max. Conduction	0	
51	Output Style & Reset Mode	1 – Constant & Auto Reset 2 – Constant & Manual Reset 3 – Pulsed & Auto Reset 4 – Pulsed & Manual Reset	1	
52	Reset Configuration	1 – No Sil., Reset on Key 2 – No Sil., Reset on S2 High 3 – No Sil., Reset on S2 Low 4 – Sil., Reset on Key 5 – Sil., Reset on S2 High 6 – Sil., Reset on S2 Low	1	
53	Display Flash On Active Alarm	0 – Alarm Flash Disabled 1 – Alarm Flash Enabled	0	
54	Pulse on Time	1 – 3600 (seconds)	1	
55	Pulse off Time	1 – 3600 (seconds)	1	
56	Pulse Count	0 – 9999 (pulses)	0	
57	Lower Limit	0 – 9999 (display units)	0	
58	Upper Limit	0 – 9999 (display units)	9999	
	Parameter Memory Commands			
95	Restore Settings to Factory Default	0 – Do Nothing & Exit 5 – Restore Factory Defaults	0	
98	Save to User Default Area	0 – Do Nothing & Exit 5 – Save Setting	0	
99	Restore from User Default Area	0 – Do Nothing & Exit 1 – Restore Settings	0	

Parameter Descriptions

Parameter 0 – Exit to Running Mode

When parameter 0 is selected in Parameter-Selection Mode, the unit will return to Running Mode and display the running value. This should be selected once changes to parameters are completed.

Parameter 1 – Model Number (Read Only)

This is a number which represents the base model number for the product. The model codes for the MD10P ,MD3P, and MD3E are 10 ,11, and 13 respectively.

Parameter 2 – Software Build (Read Only)

The software build is a code which identifies the software version of the unit.

Parameter 3 – Hardware Version (Read Only)

The hardware version is a code which identifies which hardware was used to build the unit.

Parameter 4 & 5 – Serial Number, Major & Minor (Read Only)

These parameters are reserved for future use as an electronic serial number and are unique to each manufactured unit.

Parameter 10 – Operating Mode

This parameter defines the operating mode for the entire unit. There are two basic modes of operation, master and follower. In master modes, the unit controls the load using either rate or time units. In follower mode, the unit controls the load in percentage of master rate. The following modes are available for the MDP:

Mode 1 – Master, Rate Mode

In Rate Mode, the MDP displays in user-defined rate units such as RPM, Gallons per Hour, or Feet per Second. See applications for examples.

Mode 2 – Master, Time Mode

In Time Mode, the MDP displays in time units using the format AA:BB. By default AA:BB represents minutes (AA) and seconds (BB). Optionally, it can be configured to represent hours (AA) and minutes (BB) or other user-defined units with a 1:60 relationship. When setting parameters which are configured in display units, the programmed value is the determined by the formula $(AA * 60) + BB$. In HH:MM displays, this is the total number of minutes. In MM:SS displays, this is the total number of seconds. See applications for examples.

Mode 3 – Follower Mode

In Follower Mode, the MDP displays in percentage units, where 1000 equals 100.0 percent of the master rate. For example, if the display indicates 985, 98.5, or 9.85, the MDP will attempt to run at exactly 98.5 percent of the master rate. Display settings are always entered ignoring the decimal point's position. See applications for more examples.

Parameter 11 – Display Intensity

This parameter adjusts the intensity of the LED display digits in the front panel of the unit. The values of 0 – 31 correspond to a gradual change from very dim to very bright. This is often useful when the MDP is used in the same panel as other pieces of equipment with LED displays and a uniform display brightness is desired. Simply adjust the MDP to match its surroundings.

Parameter 13 – Decimal Point (DP) Position

This selects the format of the display with respect to the decimal point's position. This parameter does not effect the value entry for other parameters. For example, if the user desires to display 10.00 at 300RPM, then parameter 30 would be set to 1000, parameter 31 would be set to 300, and parameter 13 would be set to 2.

Mode 0: Fixed XXXX

Mode 1: Fixed X.XXX

Mode 2: Fixed XX.XX

Mode 3: Fixed XXX.X

Mode 4: Fixed XXXX.

Parameter 14 – Keypad Mode

This parameter selects the operating mode of the front-panel push buttons. In some applications, increasing or decreasing the scroll rate provides the user more controllability when entering settings. Parameters 14 and 15 affect only the Up and Down buttons when the user interface is in Running Mode. These settings also apply to remote Up / Down buttons which are attached via the -1 option board.

Mode 1: Linear, Constant Rate

In linear mode, pressing and holding the Up or Down buttons will cause the display to continuously change value in the requested direction until either the Display Minimum or Display Maximum is reached. The displayed value will scroll at a constant rate which is specified using parameter 15.

Mode 2: Non-linear, Accelerating Rate

In non-linear mode, pressing and holding the Up or Down buttons will cause the display to continuously change value in the requested direction until either the Display Minimum or Display Maximum is reached. The displayed value will initially scroll at a slow rate and increase in speed until the maximum scroll rate is achieved. The initial scroll rate is specified using parameter 15.

Parameter 15 – Keypad Scroll Mode

This parameter sets the scroll speed for the front-panel push buttons. The function of this parameter varies slightly depending on the Keypad Mode. See parameter 14 for more details.

Parameter 16 – S1 / S2 Input Edge & Prescaler Configuration

This parameter determines how the MDP processes the S1 and S2 signal inputs. It specifies which signal edge is used for measurements and the value of the internal frequency dividers or prescalers. Modes with prescalers greater than 1 should only be used if the input pulse rate on S1 or S2 exceeds the unit's maximum native pulse rate (see specifications for details); otherwise, the control loop may become sluggish and unnecessarily inaccurate. Use the following chart to configure this parameter. As an example, assume an application requires input pulse rates on S1 of 120,000 pulses-per-minute and S2 of 35,000 pulses-per-minute. According to the electrical specifications, the unit can only accept 50,000 pulses-per-minute on each the S1 and S2 inputs. With this in mind, the S1 and S2 prescalers should be selected as Falling / 4 and Rising / 1, respectively. In this case, parameter 16 would be set to 2.

Selection Chart		S1 Input Edge and Prescaler			
		Rising / 1	Falling / 1	Falling / 4	Falling / 16
S2 Input Edge and Prescaler	Rising / 1	0	1	2	3
	Falling / 1	4	5	6	7
	Falling / 4	8	9	10	11
	Falling / 16	12	13	14	15

Parameter 18 – Power-up Mode

This parameter defines the mode which determines the default Running Value when power is initially applied to the MDP.

Mode 1: Default to Zero

When in this mode, the unit will default to zero (display units).

Mode 2: Default to Power-Up Value

When in this mode, the unit will default to the Power-up Value, parameter 19.

Mode 3: Default to Previously Running Value

When in this mode, the unit will default to the previous running value before power was removed. *A previous running value must have been active for at least 3 seconds to be recalled after power has been disconnected and reapplied.*

Parameter 19 – Power-up Value

When Power-up Mode is set to 2, this parameter will designate the default display value at power-up in display units.

Parameter 20 – Display Minimum

This parameter defines the lower end of the display range. This is the value which limits how low the user is able to scroll the displayed value in Running Mode. In Rate and Time modes, this value is set in display units. In Follower Mode, this is set in percentage of the master rate. For example, in Follower Mode, 1250 represents 125.0 percent of the master rate.

Parameter 21 – Display Maximum

This parameter defines the upper end of the display range. This is the value which limits how high the user is able to scroll the displayed value in Running Mode. In Rate and Time modes, this value is set in display units. In Follower Mode, this is set in percentage of the master rate. For example, in Follower Mode, 150 represents 15.0 percent of the master rate.

Parameter 23 – Acceleration Setting

This parameter determines how fast the MDP will accelerate toward the displayed target setting. This parameter is set in display units of change per second such as RPM, GPM, or feet per second. In Follower Mode, this parameter is set in RPM units.

Parameter 24 – Deceleration Setting

This parameter determines how fast the MDP will decelerate toward the displayed target setting. This parameter is set in display units of change per second such as RPM, GPM, or feet per second. In Follower Mode, this parameter is set in RPM units.

Parameter 26 – Proportional (P) Gain

The Proportional Gain is the first of two parameters which define the responsiveness of the control with respect to how fast it responds to changing loads. Because the MDP controls are pulse-accumulation drives, the P Gain responds differently than the same parameter in a standard velocity-form PID control. The higher the P Gain, the more aggressively the unit will drive the load. See the PI Control Tuning section of the manual for more details.

Parameter 27 – Integral (I) Gain

The Integral Gain is the second of two parameters which define the responsiveness of the control with respect to how fast it responds to changing loads. The higher the I Gain, the more aggressively the unit will drive the load. When using high PPR pickups or encoders, it will be necessary to decrease the I Gain to prevent unwanted oscillation and instabilities. See the PI Control Tuning section of the manual for more details.

Parameter 29 – Pulse Accumulation Limit

This parameter sets the limit for the maximum number of pulses the drive will accumulate prior to intentionally losing count and therefore long-term accuracy. Because the MDP controls are pulse-accumulation drives, they are able to accurately track a master (in Follower Mode) pulse-by-pulse. That is, they are able to run for days, weeks, or months and remain completely in sync with a master drive or process; unfortunately, this functionality comes at a small cost.

By default, if the main pickup signal were lost and then reattached, the unit may run at high speeds for many seconds while attempting to make-up what would have been lost pulses. Once it catches up, it returns to normal operation. In some applications, this is a nuisance. In these cases, the Pulse Accumulation Limit, parameter 29, can be lowered to limit the maximum number of pulses the drive will remember.

This parameter is set from 0 to 9999, where 0 is no accumulation and 9999 is maximum accumulation. As this value approaches zero, the unit will gradually lose its ability to drive the motor and eventually stop the motor completely. It may be necessary to increase the value of this parameter for application which demand higher long-term accuracy.

Parameter 30 – Signal Input 1 (S1) Display Reference

This is the number to be displayed when at the user-specified motor Reference RPM. In Rate Mode, this value represents rate units such as feet, ounces, or revolutions. In Time Mode, this value represents the reference time measured in seconds or minutes. If the desired display is HH:MM, then all values should be entered in minutes. If MM:SS is desired, then all values should be entered in seconds. In Follower Mode, this value is the percentage of the master rate in 0.1% units. For example, 1000 equates to 100%. See applications for more examples.

Parameter 31 – Signal Input 1 (S1) Reference RPM

This is the reference RPM at which the Display Reference value should be displayed. In Rate and Time Modes, this value represents the RPM of the encoder to which the Display Reference corresponds. In Follower Modes, this value is not used. See applications for examples.

Parameter 32 – Signal Input 1 (S1) Pulses per Revolution

This is the number of pulses per revolution for the signal input 1 (S1). The MDP supports pickups and encoders from 1 to 2048 pulses per revolution.

Parameter 33 – Signal Input 1 (S1) Deadband (Follower Mode Only)

When in Follower Mode, it is often desirable for the follower unit to continue to slowly make-up the small pickup pulse differential between the master and follower's position. In some applications, it is not necessary for the follower to continue to slowly seek the master's exact pulse position when the master rate is at zero. In these cases, the Deadband parameter can be set above zero to force the MDP to stop driving the motor slowly and cause it to inhibit until the master starts rotating again. At that point, the follower will automatically make-up the pulse differential as it starts to rotate. The deadband is disabled by setting it to zero seconds.

Parameter 35 – Signal Input 2 (S2) Input Configuration

This parameter determines the operating mode of signal input 2 (S2).

Mode 1: Disabled (Follower Mode)

The S2 input is inactive. This is the required setting for Follower Mode.

Mode 2: Emergency Stop When S2 High (Not Wired To Common)

When the S2 input is at an electrically high (+5V) state or allowed to float disconnected, the MDP will enter emergency-stop mode. While in this mode, the armature output will immediately be turned off. Once the S2 input returns to an electrically low state or wired to the unit's common, the output will become active.

Mode 3: Emergency Stop When S2 Low (Wired To Common)

When the S2 input is at an electrically low state or wired to the unit's common, the MDP will enter emergency-stop mode. While in this mode, the armature output will immediately be turned off. Once the S2 input returns to an electrically high (+5V) state or allowed to float disconnected, the output will become active.

Mode 4: Inhibit When S2 High (Not Wired To Common)

When the S2 input is at an electrically high (+5V) state or allowed to float disconnected, the MDP will enter inhibit mode. While inhibited, the armature output will decrease according to the decel setting until zero output is reached. Once the S2 input returns to an electrically low state or is wired to the unit's common, the output will start to accelerate toward the previous running value.

Mode 5: Inhibit When S2 Low (Wired To Common)

When the S2 input is at an electrically low state or wired to the unit's common, the MDP will enter inhibit mode. While inhibited, the armature output will decrease according to the decel setting until zero output is reached. Once the S2 input returns to an electrically high (+5V) state or allowed to float disconnected, the output will start to accelerate toward the previous running value.

Mode 6: Jog When S2 High (Not Wired To Common)

When the S2 input is at an electrically high (+5V) state or allowed to float disconnected, the MDP will enter jog mode. While in jog mode, the display will immediately change to the programmed jog setpoint, parameter 36. The unit will start accelerating or decelerating toward the jog setting at the configured accel and decel rates. Once the S2 input returns to an electrically low state or is wired to the unit's common, the output will start to accelerate or decelerate toward the previous running value. In Follower Mode, the unit will operate as its own master. This allows an application to jog by overriding a stopped master.

Mode 7: Jog When S2 Low (Wired To Common)

When the S2 input is at an electrically low state or wired to the unit's common, the MDP will enter jog mode. While in jog mode, the display will immediately change to the programmed jog setpoint, parameter 36. The unit will start accelerating or decelerating toward the jog setting at the configured accel and decel rates. Once the S2 input returns to an electrically high (+5V) state or allowed to float disconnected, the output will start to accelerate or decelerate toward the previous running value. In Follower Mode, the unit will operate as its own master. This allows an application to jog by overriding a stopped master.

Parameter 36 – Signal Input 2 (S2) Setpoint

When the S2 configuration, parameter 35, is set to one of the jog modes, this parameter defines the jog setpoint in display units. If the MDP operating mode is set to Follower Mode, then this parameter is set in RPM units. This allows a follower control to be jogged when the master is stopped.

Parameter 37 – Signal Input 2 (S2) Pulses per Revolution

This is the number of pulses per revolution for the signal input 2 (S2). The MDP supports pickups and encoders from 1 to 2048 pulses per revolution.

Parameter 38 - Front Panel DoubleClick Mode

When set to a value of 1, the setting of Parameter 35 and/or Parameter 40, particularly Modes 4 and 5 (Inhibit), have no effect; instead, "clicking" the ENTER Button twice in rapid succession ("Double-Clicking") will TOGGLE the MD10P/3P in and out of "Inhibit" mode. When in DoubleClick mode, the Motor will decelerate to a stop, and the Display will show 4 dashes

"----" DoubleClicking again will cause the motor to accelerate up to the Target speed/time, and the Display to return to its normal condition. When set to a value of Zero, the Inhibit function is controlled exclusively by the signal level on the S2 and/or UIN1 Input(s), and the setting of Parameters 35 and/or 40, and the "DoubleClick" function will have no effect. Note also that the DoubleClick Inhibit is only honored in "Run" mode.

Parameter 40 – User Input 1 (UIN1) Configuration

This parameter determines the operating mode of user input 1 (UIN1).

Mode 1: Disabled

The UIN1 input is inactive.

Mode 2: Emergency Stop When UIN1 High (Not Wired To Common)

When the UIN1 input is at an electrically high (+5V) state or allowed to float disconnected, the MDP will enter emergency-stop mode. While in this mode, the armature output will immediately be turned off. Once the UIN1 input returns to an electrically low state or wired to the unit's common, the output will become active.

Mode 3: Emergency Stop When UIN1 Low (Wired To Common)

When the UIN1 input is at an electrically low state or wired to the unit's common, the MDP will enter emergency-stop mode. While in this mode, the armature output will immediately be turned off. Once the UIN1 input returns to an electrically high (+5V) state or allowed to float disconnected, the output will become active.

Mode 4: Inhibit When UIN1 High (Not Wired To Common)

When the UIN1 input is at an electrically high (+5V) state or allowed to float disconnected, the MDP will enter inhibit mode. While inhibited, the armature output will decrease according to the decel setting until zero output is reached. Once the UIN1 input returns to an electrically low state or is wired to the unit's common, the output will start to accelerate toward the previous running value.

Mode 5: Inhibit When UIN1 Low (Wired To Common)

When the UIN1 input is at an electrically low state or wired to the unit's common, the MDP will enter inhibit mode. While inhibited, the armature output will decrease according to the decel setting until zero output is reached. Once the UIN1 input returns to an electrically high (+5V) state or allowed to float disconnected, the output will start to accelerate toward the previous running value.

Mode 6: Jog When UIN1 High (Not Wired To Common)

When the UIN1 input is at an electrically high (+5V) state or allowed to float disconnected, the MDP will enter jog mode. While in jog mode, the display will immediately change to the programmed jog setpoint, parameter 41. The unit will start accelerating or decelerating toward the jog setting at the configured accel and decel rates. Once the UIN1 input returns to an electrically low state or is wired to the unit's common, the output will start to accelerate or decelerate toward the previous running value. In Follower Mode, the unit will operate as its own master. This allows an application to jog by overriding a stopped master.

Mode 7: Jog When UIN1 Low (Wired To Common)

When the UIN1 input is at an electrically low state or wired to the unit's common, the MDP will enter jog mode. While in jog mode, the display will immediately change to the programmed jog setpoint, parameter 41. The unit will start accelerating or decelerating toward the jog setting at the configured accel and decel rates. Once the UIN1 input returns to an electrically high (+5V) state or allowed to float disconnected, the output will start to accelerate or decelerate toward the previous running value. In Follower Mode, the unit will operate as its own master. This allows an application to jog by overriding a stopped master.

Parameter 41 – User Input 1 (UIN1) Setpoint

When the UIN1 configuration, parameter 40, is set to one of the jog modes, this parameter defines the jog setpoint in display units. If the MDP operating mode is set to Follower Mode, then this parameter is set in RPM units. This allows a follower control to be jogged when the master is stopped.

Parameter 50 – Alarm 1 Conditions

This defines which conditions will result in the alarm 1 output being activated.

Mode 0: Always Inactive

The alarm output will remain in an inactive state. In this state, the NC and C contacts will be internally electrically connected.

Mode 1: Always Active (When Power Is Applied)

The alarm output will become active when the power is applied to the unit. In this state, the NO and C contacts will be internally electrically connected.

Mode 2: Active When Display Value Above Limit

The alarm output will activate when the displayed value is above the upper limit setting, parameter 58.

Mode 3: Active When Display Value Below Limit

The alarm output will activate when the displayed value is below the lower limit setting, parameter 57.

Mode 4: Active When Display Value Inside Range

The alarm output will activate when the displayed value is greater than or equal to lower limit settings and less than or equal to the upper limit setting.

Mode 5: Active When Display Value Outside Range

The alarm output will activate when the displayed value is less than the lower limit setting or greater than upper limit setting.

Mode 6: Active When Target (Display) = Zero

The alarm output will activate when the displayed value is equal to zero. This allows the alarm output to be used to drive a mechanical brake to decrease stopping time or to provide holding torque at zero speed.

Mode 7: Active When Main Pickup Signal (S1) Stalled or stopped

The alarm output will activate when the main pickup signal input (S1) has stalled or stopped. The alarm lower limit (Parameter 57) is used to specify the stall timeout, in seconds, under a motor stall condition. When using the lower limit to set the stall timeout, an inhibit command or zero speed command will not be recognized as a stall condition. The pickup is considered to have stalled if the timeout passes with no pickup pulses when the target (displayed) value is greater than zero and the control has not been given an inhibit command. The alarm upper limit (Parameter 58) is used to specify a zero speed or stopped timeout condition in seconds. When using the upper limit to set a zero speed or stopped timeout, an inhibit command, a zero speed command or a motor stall condition will all be recognized as a stopped condition. The pickup is considered to have stopped after the timeout passes with no pickup pulses.

Note: When using the upper limit to set a stopped timeout the lower limit should be set to zero.

Mode 8: Active When Driving At Maximum Conduction Angle

The alarm output will activate when the control is driving the motor at the maximum conduction angle. This can be used to determine if the control is running away due to a broken pickup signal wire when stall-detection is not desired.

Parameter 51 – Alarm 1 Output Style & Reset Configuration

This setting configures the output mode and reset method for the alarm output.

Mode 1: Constant & Auto Reset

In this mode, the alarm output will remain active until the alarm condition ceases to exist. The alarm will automatically reset when the conditions return to normal.

Mode 2: Constant & Manual Reset

In this mode, the alarm output will remain active until the alarm is reset manually. See parameter 52 for details.

Mode 3: Pulse & Auto Reset

In this mode, the alarm output will pulse on and off until the alarm condition ceases to exist. The pulsed modes are commonly used for audible alarms where a constant output would be considered distracting or awkward. The alarm will automatically reset when the conditions return to normal.

Mode 4: Pulse & Manual Reset

In this mode, the alarm output will pulse on and off until the alarm is reset manually. See parameter 52 for reset details. The pulsed modes are commonly used for audible alarms where a constant output would be considered distracting or awkward.

Parameter 52 – Alarm 1 Reset Configuration

This setting determines which actions will cause an active alarm to be silenced or reset.

Mode 1: No Silencing, Reset On Any Button Press

In this mode, an active alarm cannot be silenced. Once the alarm condition ceases to exist, however, any user-interface button may be pressed to cause a manual reset.

Mode 2: No Silencing, Reset On S2 Input High (Not Wired To Common)

Similar to Mode 1. Once the alarm condition ceases to exist, setting the S2 input to a high (+5V) state or allowing it to float disconnected will cause a manual reset.

Mode 3: No Silencing, Reset On S2 Input Low (Wired To Common)

Similar to Mode 1. Once the alarm condition ceases to exist, setting the S2 input to a low (COM) state or wiring it to common will cause a manual reset.

Mode 4: Silencing Enabled, Reset On Any Button Press

When the conditions for an active alarm persist, pressing any user-interface button will result in the alarm being silenced or deactivated, but not reset. A second attempt to reset the alarm must be made after the condition cease to exist to clear the alarm.

Mode 5: Silencing Enabled, Reset On S2 Input High (Not Wired To Common)

Similar to Mode 4. Setting the S2 input to a high (+5V) state or allowing it to float disconnected will cause the alarm to be silenced or reset depending on the current state of the alarm conditions.

Mode 6: Silencing Enabled, Reset On S2 Input Low (Wired To Common)

Similar to Mode 4. Setting the S2 input to a low (COM) state or wiring it to common will cause the alarm to be silenced or reset depending on the current state of the alarm conditions.

Parameter 53 – Alarm 1 Display Flash On Alarm

This will cause the display to flash when an alarm condition is active.

Parameter 54 – Alarm 1 Pulse on Time

This parameter defines the number of seconds the output should be enabled during the 'on' phase of an active pulsing alarm's output.

Parameter 55 – Alarm 1 Pulse off Time

This parameter defines the number of seconds the output should be disabled during the 'off' phase of an active pulsing alarm's output.

Parameter 56 – Alarm 1 Pulse Count

This setting determines how many pulses are output when the alarm is activated and is configured in pulse output style. *When 0 is entered, the unit will be set for continuous pulses while the alarm is active.*

Parameter 57 – Alarm 1 Lower Limit

This setting defines either the lower limit, the lower end of a range for the alarm region or a stall timeout. Alarm limits are set in display units without regard to decimal point or colon position. In Rate and Follower Modes, a limit of 123 could represent a display value of 123, 12.3, 1.23, or 0.123. When in Time Mode, a limit of 123 would represent 1:23 on the display. When the lower limit is being used to set a stall timeout for parameter 50 mode 7, the setting is in seconds.

Parameter 58 – Alarm 1 Upper Limit

This setting defines either the upper limit, the upper end of a range for the alarm region or a stop timeout. Alarm limits are set in display units without regard to decimal point or colon position. In Rate and Follower Modes, a limit of 123 could represent a display value of 123, 12.3, 1.23, or 0.123. When in Time Mode, a limit of 123 would represent 1:23 on the display. When the upper limit is being used to set a stop timeout for parameter 50 mode 7, the setting is in seconds.

Parameter 95 – Factory Default Command

When set to a value of 5, the unit will be reset to factory default settings. This can also be achieved by applying power to the unit with both the Enter and Down buttons depressed. *The programming jumper must be in the "On" position for this method to function.*

Parameter 98 – Save to User Default Area Command

When set to a value of 5, the unit will store all adjustable parameters to the user default area. The user default area is intended to be a location where an OEM or integrator can store settings specific to their application. Using this, an OEM can easily refresh their custom settings in the field if an end-user accidentally reconfigures the unit unsuccessfully. Another common use for this area is testing and initial setup. The user can store known-good settings here and easily experiment without the fear of losing the optimal configuration.

Parameter 99 – Restore from User Default Area Command

When set to a value of 1, the unit will restore the all adjustable parameters from the user default area. See parameter 98 for additional information.

Troubleshooting

Problem	Possible Case	Solution
Display is blank	Power not applied	Using a volt meter, verify that a voltage between 85 and 265VAC is measured between the L and N terminal block positions.
	Defective unit	Contact technical support for additional help and instructions.
Display is dim	Display intensity parameter is too low	Editing and increasing the display intensity parameter should cause the display digits to become brighter.
When power is applied, "LF-L" is displayed	AC line supplying power to unit has too much noise	Review routing of power wires in machine to minimize electrical noise. Look for other devices which share the same circuit which may be producing unacceptable levels of line noise. In some applications, such as welding equipment, a careful regiment of applying an AC line filter, re-routine wires, dividing circuits, using shielded cable, and properly grounding devices will usually solve the problem.
	AC line supplying power to unit has an abnormally low frequency	The unit is designed to operate with AC lines from 48-62 Hertz (cycles per second). This is typically not a problem because the international standards are 50 and 60 Hertz.
When power is applied, "LF-H" is displayed	AC line supplying power to unit has too much noise	Review routing of power wires in machine to minimize electrical noise. Look for other devices which share the same circuit which may be producing unacceptable levels of line noise. In some applications, such as welding equipment, a careful regiment of applying an AC line filter, re-routine wires, dividing circuits, using shielded cable, and properly grounding devices will usually solve the problem.
	AC line supplying power to unit has an abnormally high frequency	The unit is designed to operate with AC lines from 48-62 Hertz (cycles per second). This is typically not a problem because the international standards are 50 and 60 Hertz.
The alarm output does not seem to function	Alarm output parameters not configured properly	Alarm output parameters not configured properly Review alarm output parameters. The alarm relay output can be tested by selecting the "Always On" value for the Activation Condition parameters for the alarm output. When doing this, the relay click should be audible and the NC (Normally Closed) and C (Common) terminals should become internally shorted at the terminal block.

Technical Support Options

- Visit the Dart Controls Web Site at: www.dartcontrols.com
- Email technical support at: techsupport@dartcontrols.com
- Telephone technical support at 317-733-2133 ext. 4

What's Special About www.dartcontrols.com?

- Changes to printed material and product offerings first appear online
- Product manuals and other literature are easily accessible
- All information can be easily displayed or printed as needed

- Notes -

Ojeada rápida

¿Qué modelos y opciones están disponibles?

Vea la página 3.

¿Busca especificaciones detalladas?

Vea la página 3 y 4.

¿Quiere comenzar rápidamente?

Vea los detalles para las conexiones eléctricas básicas en la página 8.

Vea los detalles para la instalación mecánica en la página 4-6.

¿Necesita ayuda?

Vea la localización de fallas en la página 24.

Garantía

Dart Controls, Inc. (DCI) garantiza que sus productos carecen de defectos en los materiales y en su fabricación. El remedio exclusivo de esta garantía es la sustitución en la fábrica DCI de cualquier parte o partes de dicho producto que, dentro de un período de 12 meses a partir de su entrega al comprador, sea devuelto a la fábrica DCI, con todos los gastos de transporte previamente pagos, y que DCI determine a su entera satisfacción, que se encuentra(n) defectuosa(s). Esta garantía no abarca defectos de ensamblaje hecho por otros ajenos a DCI, ni a ningún artículo que haya sido reparado o alterado por otros ajenos a DCI, ni a ningún artículo que DCI determine que haya sido sometido a uso incorrecto. DCI no asume responsabilidad por las características de diseño de cualquier unidad o su operación en cualquier circuito o ensamblaje. Esta garantía surte efecto sobre todas las demás garantías, expresas o implícitas; sobre todas las responsabilidades u obligaciones por parte de DCI, incluyendo daños emergentes, quedan expresamente excluidos por este medio.

NOTA: Compruebe cuidadosamente el control en busca de daños sufridos en transporte. Informe inmediatamente al transportista acerca de cualquier daño sufrido en transporte. No intente operar la unidad si hay evidencia visible de daños, ya sean en el circuito o en sus componentes electrónicos.

Toda la información que aparece en este manual lleva la intención de ser correcta. Sin embargo, la información y datos en este manual quedan sometidos a cambios sin previo aviso. DCI no ofrece garantía de ninguna índole con respecto a esta información o datos. Adicionalmente, DCI no es responsable por cualquier omisión o errores o daños emergentes provocados por el usuario de este producto. DCI se reserva el derecho a realizar cambios en la manufactura que pueden no estar incluidos en este manual.

ADVERTENCIA

La instalación u operación incorrecta de este control puede provocar lesiones al personal o la falla del control. El control deberá instalarse de acuerdo con los códigos de seguridad locales, estatales y nacionales. Cerciórese que el suministro eléctrico está desconectado antes de intentar dar servicio o desmontar cualquier componente. Si el punto de desconexión eléctrica no está visible, cierre la unidad en la posición desconectada, póngale un rótulo de aviso para evitar la imprevista aplicación de la electricidad. Solamente un electricista calificado o el personal de servicio deben practicar cualquier localización de fallas eléctricas o prestar mantenimiento. En ningún momento se debe comprobar la continuidad del circuito haciendo cortos entre terminales por medio de un destornillador u otro objeto metálico.

Contenido

Introducción	2
Modelos y opciones	3
Tabla de modelos	3
Opciones disponibles.....	3
Accesorios recomendados	3
Aprobaciones de agencias	3
Especificaciones.....	3
Eléctricas	3
Mecánicas	4
Ambientales.....	4
Instalación mecánica	4
Vista explotada del panel.....	4
Agujero y dimensiones de montaje	5
Dimensiones.....	7
Instalación eléctrica y diagramas	8
Diagrama de conexión en bloque de terminales P1	8
Descripciones del bloque de terminales P1	9
Instrucciones básicas para la operación	10
Discusión sobre el algoritmo del control.....	10
Sintonización del bucle de acumulación de pulsaciones PI	10
Referencia visual	11
Instrucciones detalladas para la configuración	13
Reactivación de la unidad a los valores instalados en fábrica [a falta de otros].....	13
Parámetros de programas [software].....	14
Descripciones de los parámetros	16
Localización de fallas	24
Technical Support Options.....	24
What's Special About www.dartcontrols.com ?	24


Introducción

Los controles de motores de las series MDP son unidades compactas, basadas en microprocesadores, capaces de ser configuradas in situ o en fábrica, para un número de necesidades de control de movimiento en la industria. Estos controles están diseñados alrededor de un algoritmo de acumulación de pulsaciones PI. Se pueden configurar fácilmente para funcionar como controlador digital de velocidad, controlador de procesos en base de tiempo, o como controlador subordinado tipo cocientímetro en sistemas de características principal-subordinado. Empleando las nuevas técnicas Dart de diseño modular, la serie MDP es ideal para aplicaciones en volumen de OEM que requieran ingresos y salidas especializadas. Comuníquese con el Departamento de Ventas de Dart Controls para detalles adicionales. Esta flexibilidad hace de las series MDP los controles ideales para aplicaciones tales como:

- Sistemas de aguas y tratamiento de desechos
- Controladores de aparatos transportadores para hornos
- Líneas de aparatos transportadores sincronizados

Su caja duradera fabricada en aluminio de 1/8 y 1/4 DIN, puede instalarse fácilmente en un panel o gabinete de control. La nueva opción de bloque de terminales conectable permite al instalador colocar o reemplazar rápidamente unidades sin el trastorno que representa el desmontaje físico y la reinstalación de cables. Las unidades se pueden ordenar bien sea con el estilo de bloque de terminales del tipo europeo o con el conector opcional «enchufable».

Características generales

- Diseño basado en microprocesadores combina la más elevada sensibilidad y precisión en un paquete.
- Algoritmo digital de bucle cerrado asegura precisión por largo tiempo de +/- 1/2 RPM de la velocidad regulada o su equivalente.
- Memoria no volátil almacena los parámetros ajustables aún cuando se corte la energía eléctrica.
- Programación en fábrica o in situ mediante teclado en el panel delantero.
- Los parámetros ajustables incluyen mínimo, máximo, aceleración, desaceleración, opciones de exposición, opciones de alarma, etc.
- Puente habilitador de programa interno evita en forma selectiva la manipulación imprudente de la configuración de la unidad.
- Fuente energética universal acepta ingreso de voltajes de línea desde 85-265VCA @ 50-60Hz sin interruptores o puentes. La unidad se ajusta automáticamente según sea necesario.
- La protección contra la sobretensión instantánea prolonga la vida de la unidad dentro de los bruscos ambientes industriales.
- Compatible con toda una variedad de tipos de ingresos de señales que incluyen: captación del Efecto Hall, unidades fotoeléctricas, TTL, etc.
Nota: Dispositivos colectores abiertos deben tener capacidad para disminuir 3mA.
- Fuente energética incorporada para sensor exterior, limitada a 5V @ 50mA.
- Salida de alarma programable con contactos Forma C clasificados para 250VCA @ 5A
- Ingresos flexibles para el usuario apoyan inhibición, paradas de emergencia y empujones de funcionamiento.
- Duradera caja de aluminio en 1/8 y 1/4 DIN para instalación en paneles del MD10P y MD3P respectivamente.
- Exposición LED grande de 4 dígitos de 1/2".
- Membrana y empaquetadura de G.E. Lexan (incluidas) cumplen las normas NEMA 4X cuando se usan con gabinetes NEMA 4X.
- Están disponibles los bloques de terminales europeos o el bloque de terminales enchufable.
- Reconoce el  us, archivo #E78180 (MD10P)
- Operación dentro de amplio régimen de temperatura ambiental de -10C hasta 45C (14F hasta 113F).
- Múltiples modos de operación incluyen:
 - Principal, Modo Porcentual - Controla en unidades porcentuales tales como RPM, galones por segundo, etc.
 - Principal, Modo de Tiempo - Controla en unidades de tiempo tales como HH:MM, MM:SS, SS:TT, u otra unidad.
 - Modo Subordinado - Controla en términos de tanto por ciento de la tasa principal. Este modo permite al control MDP seguir con precisión las acciones de un proceso principal sin ninguna pérdida de posición a largo plazo.

Modelos y opciones

Tabla de modelos

Modelo	Voltaje de ingreso @ 50 - 60Hz	Voltaje de salida @ 120VCA (@ 240VCA)	Salida máx. H.P. @ 120VCA (@240VCA)	Máx. CD continua en armadura amperos	¿Se requiere toma o codificador?
MD10P	85-265VCA	90VCD (180VCD)	1/2 1	5 5	Sí
MD3P	85-265VCA	90VCD (180VCD)	1 2	10 10	Sí
MD3E	85-265VCA	90VCD (180VCD)	1 2	10 10	Sí Sí



Opciones disponibles

Sufijo de la opción	Descripción	Ejemplo
-1	Tablero de expansión que añade soporte para alambrado de botones pulsadores mediante un bloque de terminals de estilo europeo.	MD10P-1, MD3P-1
-P	Opción de bloque de terminals enchufables de estilo europeo	MD10P-P, MD3P-1-P
-9	Relleno de Lexan	MD10P-9

Accesorios recomendados

Modelo	Descripción	Pulsaciones por Revolución	Régimen de RPM cuando se usa con MD10P, MD3P y MD3E
PU-2E	Captación de Efecto-Hall Canal único	1	1.0 – 50,000 RPM
PU-4E	Captación de Efecto-Hall Canal único	2	0.5 – 25,000 RPM
PU-20E	Captación de Efecto-Hall Canal único	10	0.1 – 5,000 RPM
PU-40E	Captación de Efecto-Hall Canal único	20	0.05 – 2,500 RPM

Aprobaciones de agencias

 Componente Reconocido MD10P, MD3P	E78180
 US LISTED MD3E	34M5
NEMA 4X	MD10P / MD3P / MD3E

Especificaciones

Eléctricas

Ingreso de voltaje de línea	Cualquier voltaje desde 85-265VCA
Ingreso de frecuencia de línea	Cualquier frecuencia desde 48-62 Hertz
Régimen de voltaje de ingreso de la señal	0-5VCD to 0-24VCD onda rectangular
Régimen de frecuencia de ingreso de la señal	0 – 50,000 pulsaciones por minuto (Frecuencias más elevadas son posibles mediante el uso de un divisor/tubo contador preliminar)
Régimen de exposición	0.001 – 99,990
Unidades de operación	Programable por el usuario, cualquier unidad
Sensor / Fuente energética de captación	5V @ 50mA
Características de salida aislada del relé de la alarma	250VCA @ 5A
Promedio del voltaje de salida de la armadura	Supeditado al voltaje de ingreso de la línea *
Capacidad de sobrecarga del diseño	200% durante 1 minuto

*(Ver la tabla de modelos)

Mecánicas

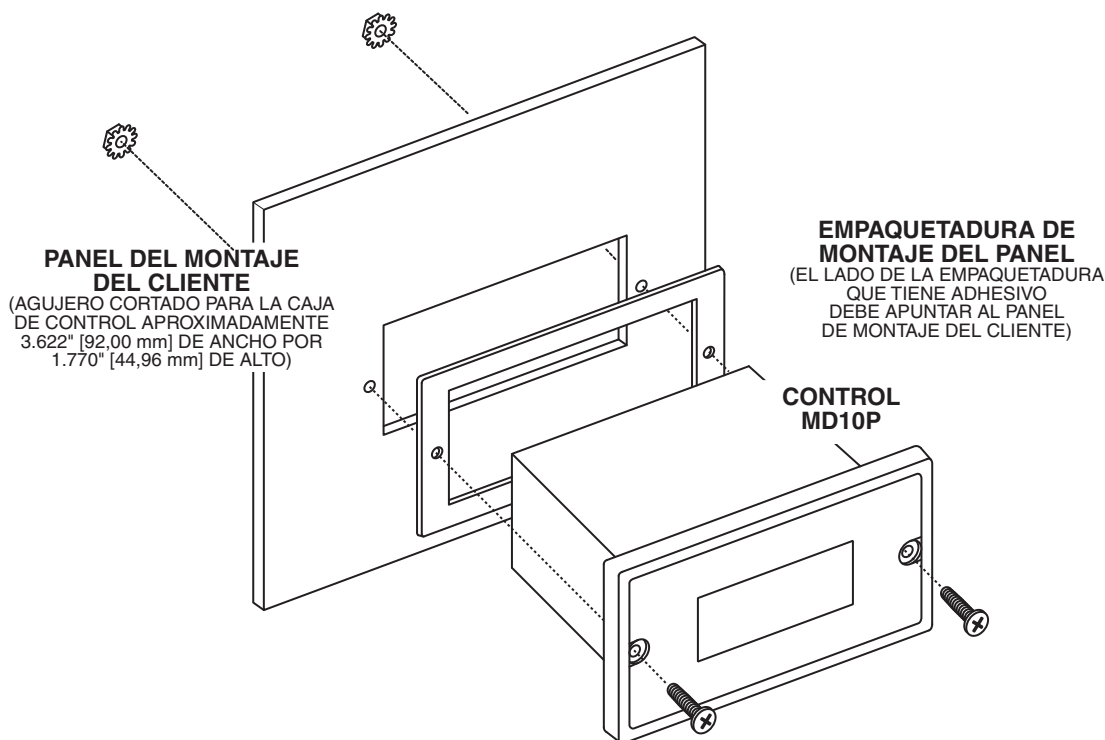
Tipo de exposición	LED, Rojo, 4 Dígitos, ½" de alto
Tipo de caja (con empaquetadura suministrada en panel NEMA 4X MD3E	NEMA 4X NEMA 4
Estilo de conector (conector enchufable opcional).....	12 posiciones de 5mm estilo europeo
Torque de colocación para el bloque de terminales	Máx de 4.4 pulg/lb ó .5Nm
Material de la plancha delantera	Polycarbonato con recubrimiento de GE Lexan
Material de la caja	Aluminio
Longitud (Profundidad requerida del panel) MD10P & MD3P.....	4.625", 117.48mm
Ancho de la plancha delantera	4.539", 115.29mm
Peso del MD10P.....	0.8425 lb, 13.48 onzas, 382.14 gramos
MD3P.....	1.52 lb, 24.32 onzas, 689.44 gramos
MD3E.....	1.64 lb, 26.24 onzas, 743.88 gramos

Ambientales

Régimen de temperatura para operación	-10C hasta 45C (15F hasta 115F)
Régimen de humedad para operación	95%, no condensable

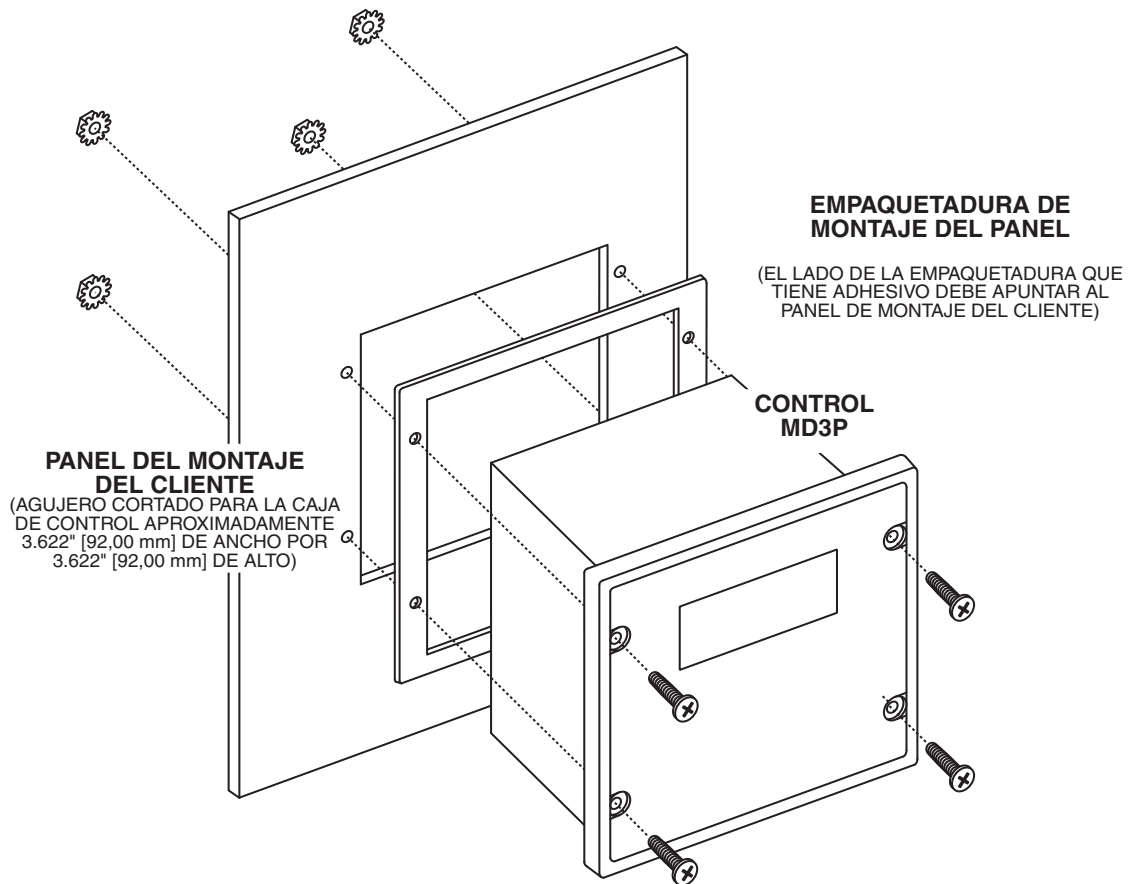
Instalación mecánica

Vista explotada del panel



SUMINISTRADO CON CADA CONTROL:

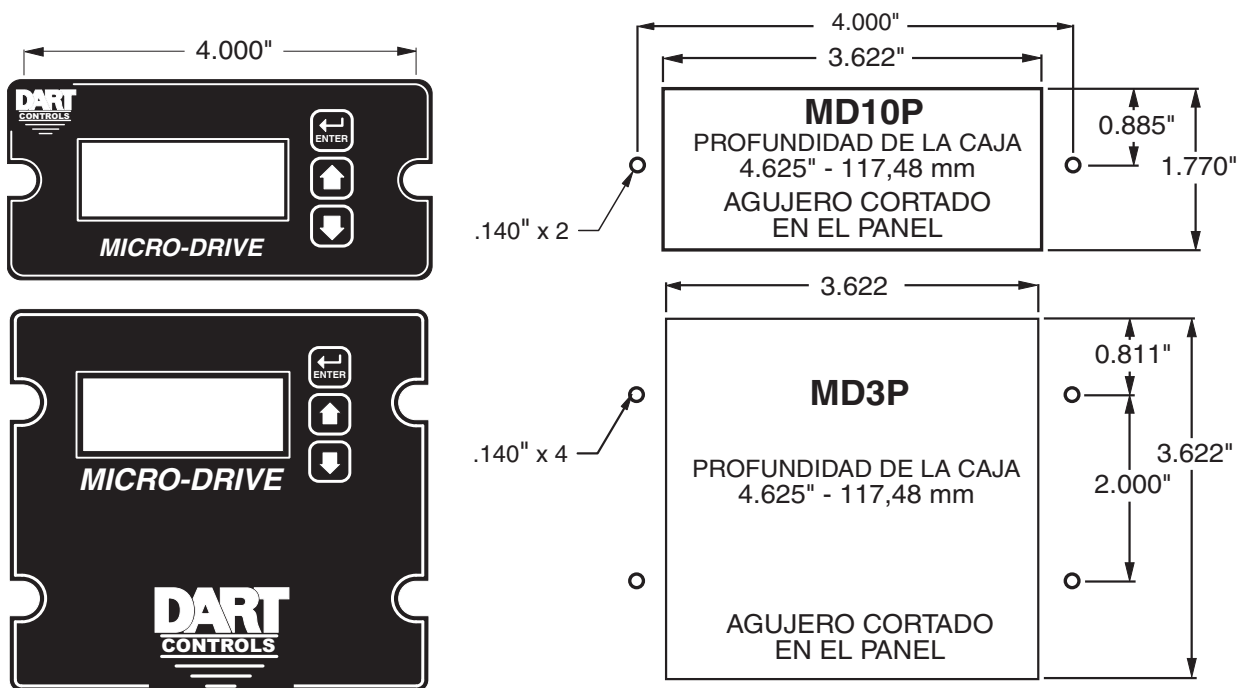
- 1) EMPAQUETADURA
- 2) (2) TORNILLOS DE ACERO INOXIDABLE NEGROS CABEZA CÍNICA DE 6-32 X 3/4
- 3) (2) TUERCAS #6 CON ARANDELA DE SEGURIDAD

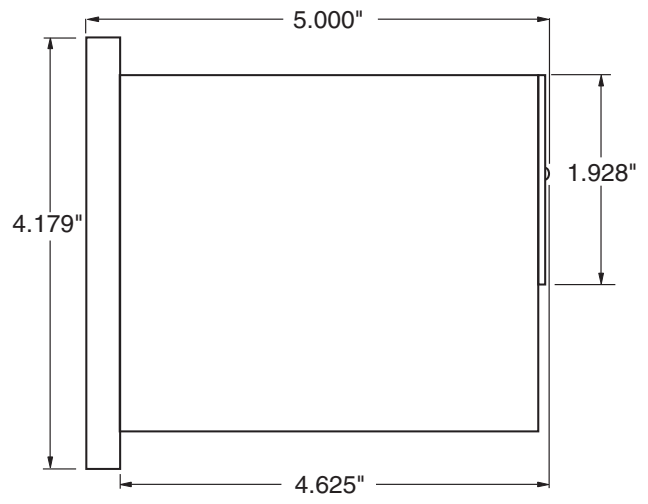
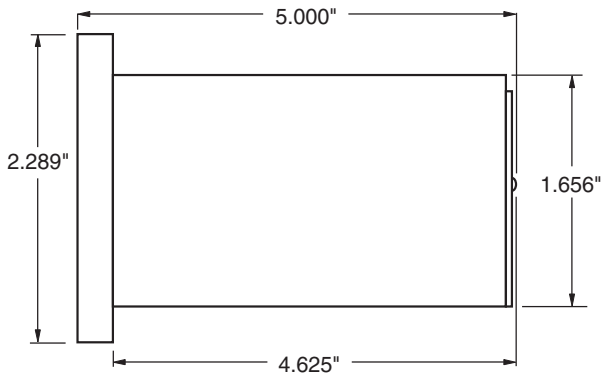


SUMINISTRADO CON CADA CONTROL:

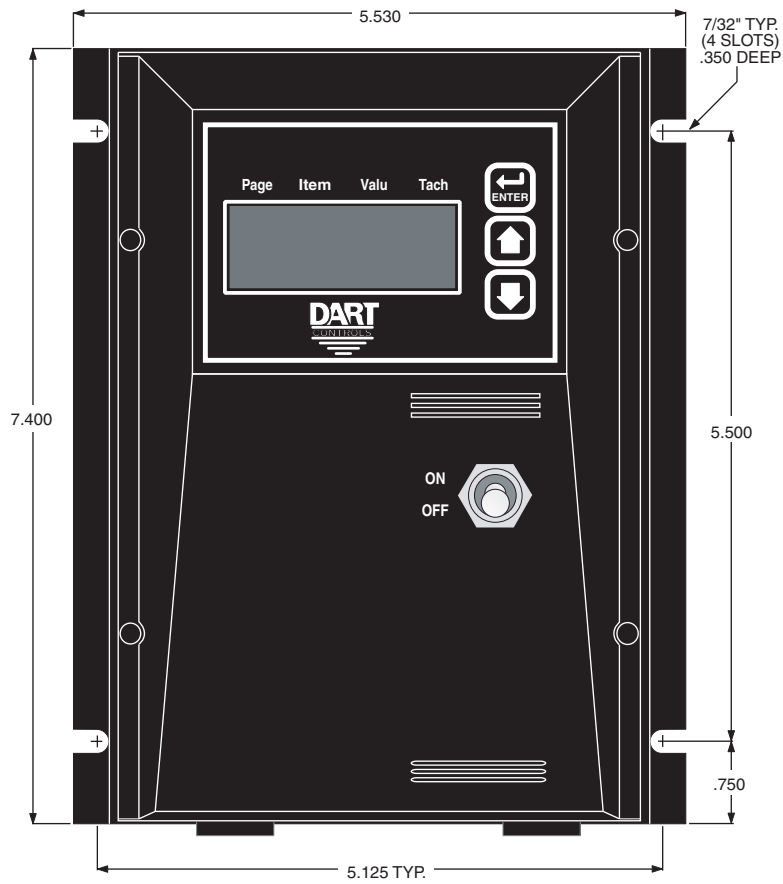
- 1) EMPAQUETADURA
- 2) (4) TORNILLOS DE ACERO INOXIDABLE NEGROS CABEZA CÓNICA DE 6-32 X 3/4
- 3) (4) TUERCAS #6 CON ARANDELA DE SEGURIDAD

Agujero y dimensiones de montaje



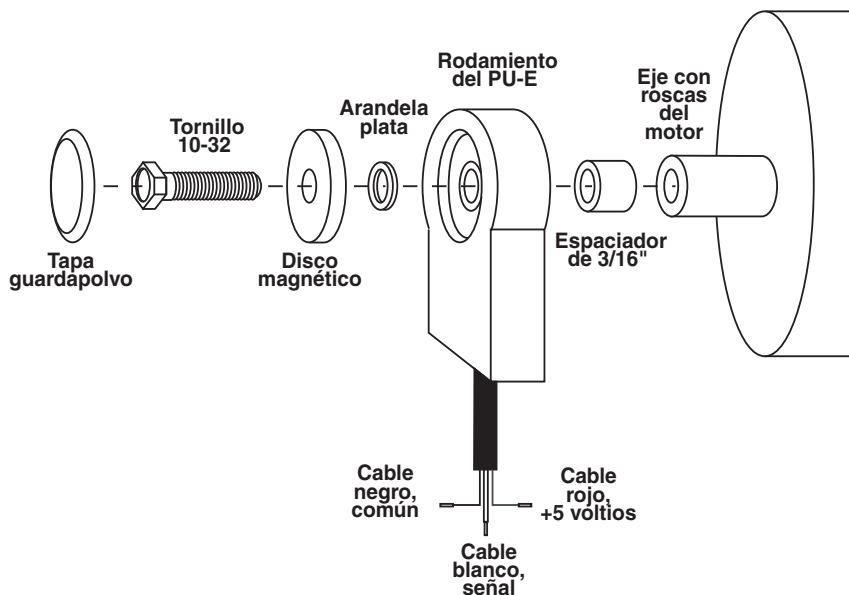


MD3E



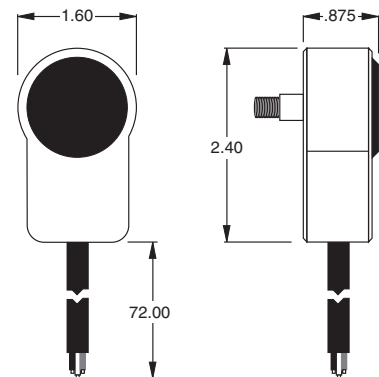
PU-E Series, Instalación de captación

El detector o captador de la serie PU-E constituye una forma económica de observar la velocidad del motor. Su diseño patentado proporciona facilidad de instalación en áreas que de otra forma serían difíciles de alcanzar. El PU-E trabaja con una fuente energética de +5V y produce una onda rectangular de 5 voltios cuya frecuencia es proporcional a la velocidad. Esta señal se alimenta al control MDP como referencia de velocidad o de posición para el microprocesador.



Número de modelo	Pulsaciones por revolución
PU-2E	1
PU-4E	2
PU-20E	10
PU-40E	20

Dimensiones



PRECAUCIÓN:

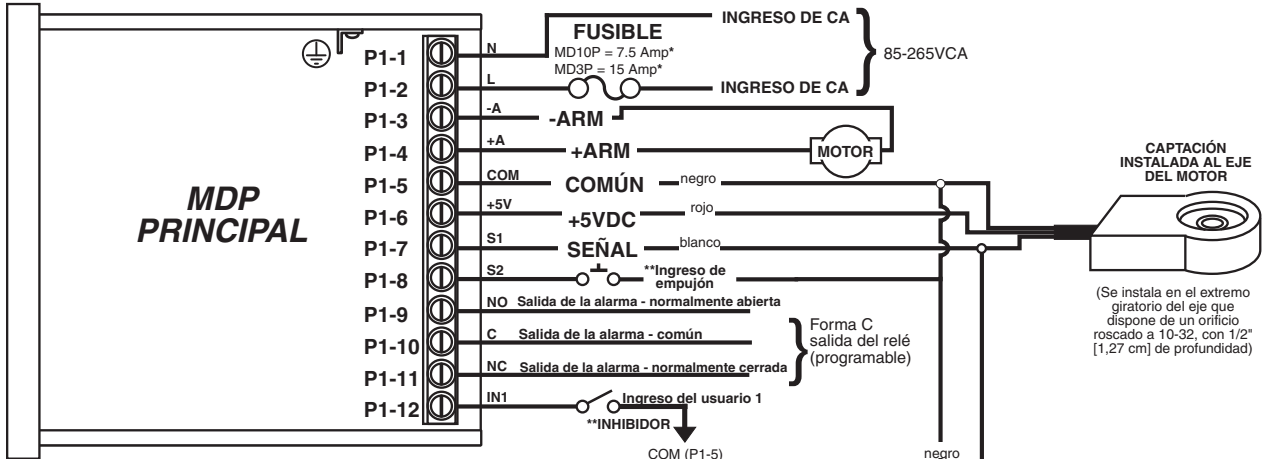
NO APRIETE EXCESIVAMENTE EL TORNILLO DE MONTAJE

No son necesarios otros tornillos de montaje ya que el cable impedirá la rotación de la unidad.

Precaución: El cable del PU-E no debe estar agrupado con otros alambres o cables. Para aplicaciones con PU-E que tengan alambre de más de 6 pies de longitud, o se encuentre en ambiente ruidoso, se recomienda el uso de un cable blindado. Conecte el blindaje o protector al terminal común en el MDP dejando que el blindaje flote por el extremo del PU-E.

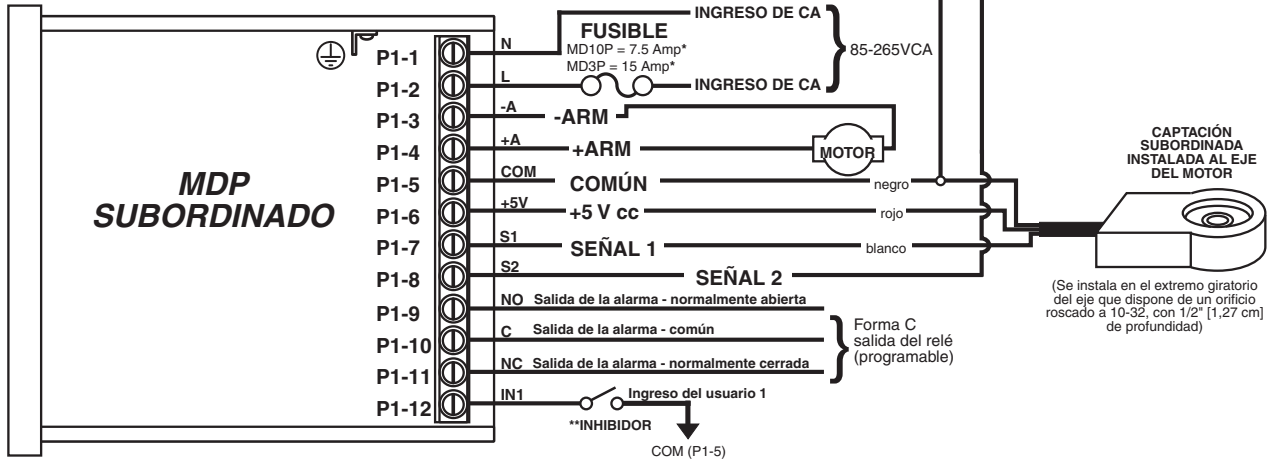
Instalación eléctrica y diagramas

Diagrama de conexión en bloque de terminales P1



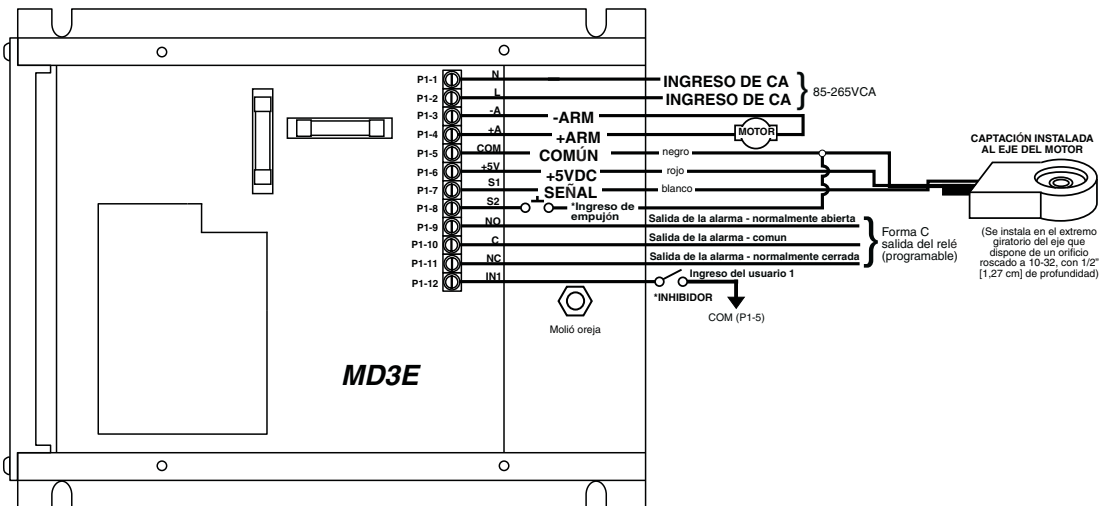
* Para ingresos de CA que emplean dos líneas vivas, ambos ingresos deben estar protegidos con fusibles del tamaño apropiado o con disyuntores de circuitos.

** Los ingresos del usuario P1-8 y P1-12 pueden ser programados para un número de funciones, incluyendo empuje, inhibición, etc. for a number of functions. Including (jog, inhibit, etc.)



* Para ingresos de CA que emplean dos líneas vivas, ambos ingresos deben estar protegidos con fusibles del tamaño apropiado o con disyuntores de circuitos.

** Los ingresos del usuario P1-8 y P1-12 pueden ser programados para un número de funciones, incluyendo empuje, inhibición, etc. for a number of functions. Including (jog, inhibit, etc.)



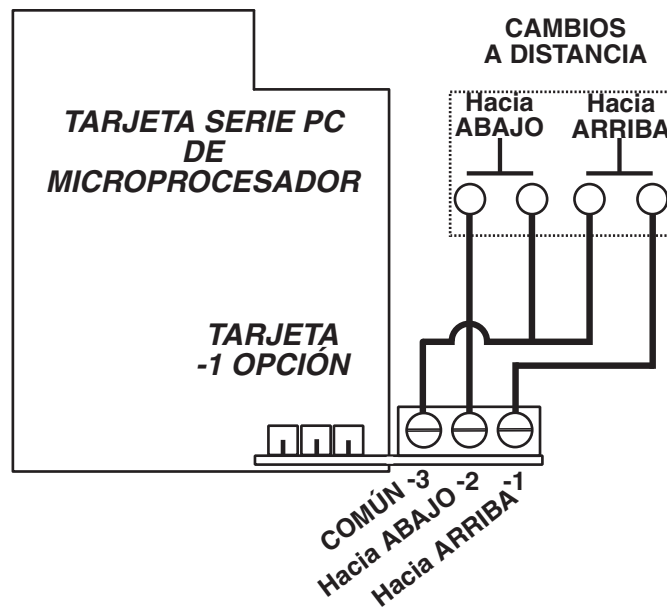
* Los ingresos del usuario P1-8 y P1-12 pueden ser programados para un número de funciones, incluyendo empuje, inhibición, etc.

Descripciones del bloque de terminales P1

- P1-1 (CA / N) - Para líneas monofásicas de CA, conecte el lado Neutral de su línea de CA a este terminal. Para sistemas con dos líneas de CA vivas, conecte cualquiera de las dos líneas vivas de CA a este terminal.
- P1-2 (CA / L) - Para líneas monofásicas de CA, conecte el lado vivo de su línea de CA a este terminal. Para sistemas con dos líneas de CA vivas, conecte cualquiera de las líneas vivas a este terminal.
- P1-3 (-A) - Este es el terminal negativo de la -Armadura. Para la rotación normal de su motor se debe conectar el cable -armadura de su motor a este terminal. El cable +Armadura de su motor se conectará aquí cuando se desee una rotación inversa de la armadura.
- P1-4 (+A) - Este es el terminal positivo de la +Armadura. Para la rotación normal de su motor se debe conectar el cable +Armadura de su motor a este terminal. El cable -Armadura de su motor se conectará aquí cuando se desee una rotación inversa de la armadura.
- P1-5 (COM) - Este es el punto común para la lógica del control. El cable común del sensor de la velocidad así como cualquier otra fuente que necesite hacer referencia al común del control, deberá conectarse a este terminal.
- P1-6 (+5V) - Esta es una fuente energética incorporada de +5VCD con capacidad hasta 50mA. El cable de suministro del sensor de velocidad puede conectarse a este terminal como su fuente energética.
- P1-7 (S1) - Este es el terminal de ingreso de señal para el codificador o la captación digital del motor.
- P1-8 (S2) - Este ingreso puede programarse para ejecutar un número de funciones avanzadas. En el Modo Subordinado, este ingreso es el terminal de ingreso de la señal para el captador digital principal o del codificador. En los Modos Principales (Porcentual o Tiempo), este ingreso se puede configurar para funcionar como parada de emergencia, inhibidor o mandato de empuje.
- P1-9 (1NO) - Este es un contacto normalmente abierto de la salida del relé asignable al usuario.
- P1-10 (1C) - Este es un contacto común del relé asignable al usuario.
- P1-11 (1NC) - Este es un contacto normalmente cerrado de la salida del relé asignable al usuario.
- P1-12 (IN1) - Este ingreso puede programarse para ejecutar un número de funciones avanzadas. Puede configurarse para funcionar como una parada de emergencia, inhibidor o mandato de empujón.

Opción -1 de alambrado

La tarjeta de - 1 opción es un módulo que permite el alambrado a la unidad de botones pulsadores externos para arriba y para abajo. Estos botones funcionan exactamente como los botones de Hacia Arriba y Hacia Abajo en la interconexión del usuario. Este módulo se usa comúnmente para permitir a los PLCs o dispositivos manuales a que operen a distancia el panel delantero. El alambrado para los botones externos están sujetos mediante un bloque de terminales europeos de 3mm en la tarjeta de -1 opción. Los botones se activan poniendo en corto el terminal rotulado Com ya sea con el terminal Hacia Arriba [UP] o Hacia Abajo [down].



Instrucciones básicas para la operación

Discusión sobre el algoritmo del control

Los controles de las series MDP están basados en un algoritmo de acumulación de pulsaciones. La ventaja que tiene este tipo de algoritmo es que permite que el control siga un proceso maestro con excepcional precisión a largo plazo. Los controles MD10P y MD3P disponen de tres parámetros que permiten al usuario ajustar la agresividad con las que las unidades propulsan el motor para alcanzar la velocidad de objetivo. Estos tres parámetros son los siguientes:

Ganancia P - Esta es la ganancia proporcional para el bucle del control. En puros algoritmos de acumulación de pulsaciones, no hay error de bucle sobre el cual basar un factor 'P'; por lo tanto, estas unidades deben estimar error en base a varios factores de bucle del control. Quienes están familiarizados con la sintonización PID de controles, deben estar conscientes de que la Ganancia P en los controles MD10P y el MD3P es algo diferente a la de la forma de los algoritmos PID de velocidad estándar. La Ganancia P es una función del error instantáneo, una medida de la diferencia entre la velocidad de objetivo (deseada) y la velocidad real del motor.

Ganancia I - Esta es la ganancia integral para el bucle del control. La Ganancia I es una función del error acumulado, es una medida de la diferencia entre la velocidad de objetivo (deseada) y la velocidad real del motor.

Límite de acumulación de pulsaciones - Este parámetro permite al usuario limitar el número máximo de pulsaciones que acumulará el mando antes de perder intencionalmente el conteo y por lo tanto, la precisión a largo plazo. Vea los detalles para el parámetro 29 en la sección de Descripciones de los parámetros.

Sintonización del bucle de acumulación de pulsaciones PI

Muchas aplicaciones no requieren la sintonización de los parámetros de Ganancias P e I en exceso a las regulaciones establecidas en fábrica, a falta de otros. Si se desea mayor sensibilidad o si el motor oscila en forma inaceptable al cambiar velocidades, podría ser necesario ajustar las ganancias P e I para obtener un desempeño óptimo.

El aumentar las ganancias P y/o I provocará que el control mande el motor en forma más agresiva. Disminuir las ganancias P y/o I hará que el control se comporte en una forma más torpe. La sintonización correcta de las ganancias P e I implica algo más que ajustar independientemente la P e I. La relación entre las dos, también tiene gran importancia. Aunque la sintonización inicial puede representar una larga y tediosa tarea, aquí ofrecemos una descripción básica de como proceder en esta labor:

Procedimiento de prueba: Ajuste la velocidad de objetivo (expuesta) tal como se espera mantener durante la operación normal, incluyendo, si fuese aplicable, comprobaciones de inhibición y transiciones de empujones.

Método de aplicación anticipada para una sintonización realística: Paso 1 - Conecte el control a un motor sometido a carga, siendo la carga la sintonización:

Paso 2 - Realice el procedimiento de prueba.

Paso 3 - Si el control se desempeña en forma adecuada, detenga la sintonización y registre los valores obtenidos.

Paso 4 - Si el control está demasiado torpe o toma demasiado tiempo para alcanzar la velocidad de objetivo, trate de aumentar ligeramente la Ganancia I (añadir 250). Ejecute nuevamente el procedimiento de prueba. Continúe aumentando la Ganancia I hasta que el motor comience a oscilar ligeramente o a perder su estabilidad. En este punto, disminuya la Ganancia I en 250.

Paso 5 - Si el control está demasiado agresivo o está provocando la oscilación o inestabilidad del motor, trate de reducir ligeramente la Ganancia I (restando 250). Ejecute nuevamente el procedimiento de prueba. Continúe reduciendo la Ganancia I hasta que el motor comience a estabilizarse y a regularse en forma más precisa.

Paso 6 - Una vez la Ganancia I quede establecida, ajuste la Ganancia P y ejecute el procedimiento de prueba. En este control, la Ganancia P adicional puede o no mejorar la sensibilidad o la estabilidad. Se requerirá la experimentación.

Las regulaciones de aceleración y desaceleración también tienen poco impacto en la sintonización PI. Específicamente, cuando las regulaciones de aceleración y desaceleración son extremadamente rápidas, pueden hacer que el bucle del control se desempeñe de manera más torpe. Otra cosa que hay que tener presente es que la sintonización PI también afecta los tiempos de aceleración y desaceleración. Por ejemplo, el bucle del control de una ganancia PI sintonizada torpemente podrá demorarse más que los tiempos programados de aceleración y desaceleración para alcanzar el valor de objetivo; mientras que un bucle de control con ganancia PI sintonizado agresivamente alcanzará el valor de objetivo más rápidamente.

Explicación de los modos principal (porcentual y tiempo) y subordinado (tasa)

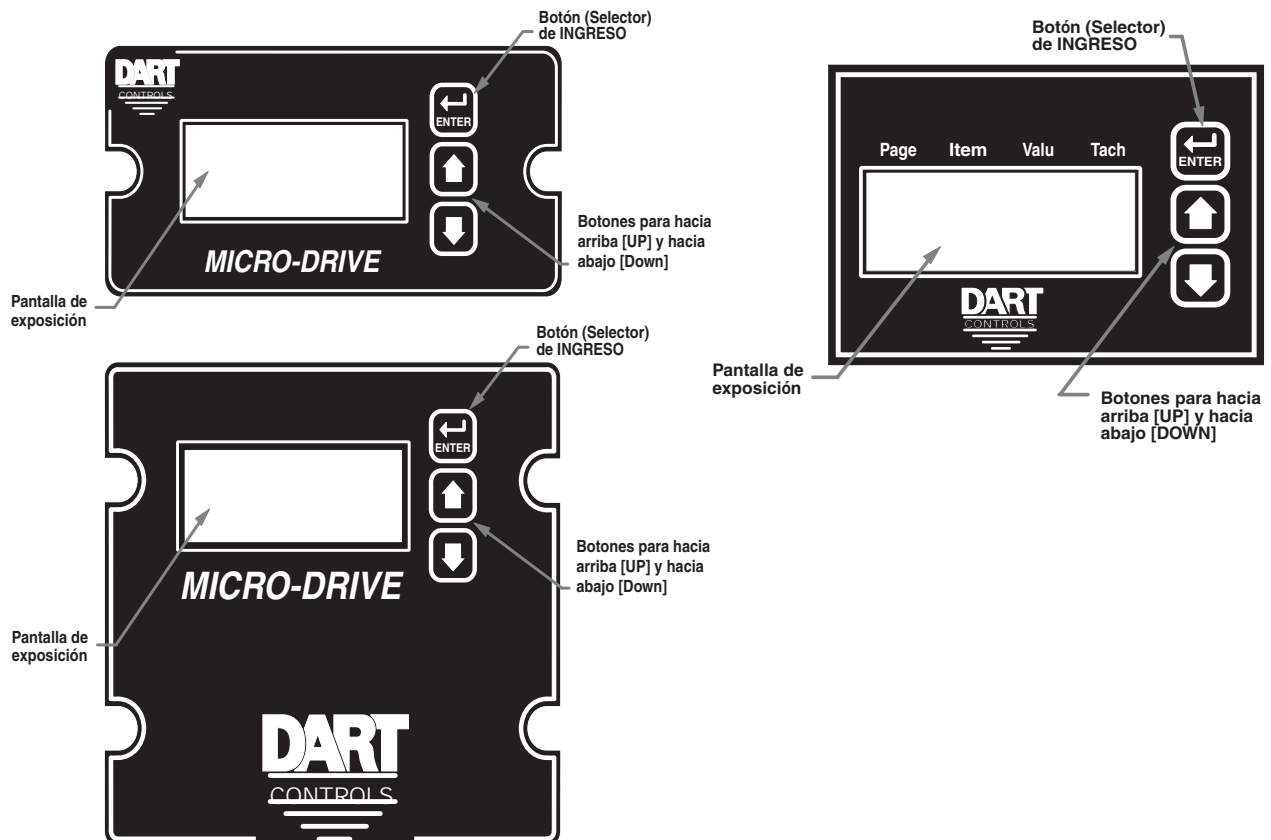
Los controles MDP disponen de dos modos básicos de operación, el modo principal y el modo subordinado. En el Modo Principal, los controles son capaces de operar independientemente; mientras que en el Modo Subordinado, el control requiere una señal procedente de un modo principal para poder operar. El Modo Subordinado se utiliza en aplicaciones que requieren que el MDP siga estrechamente el proceso del Modo Principal. Por ejemplo, si una fábrica tiene diez aparatos transportadores que deben estar sincronizados durante largos períodos de tiempo, un ingeniero industrial podría utilizar un MDP como control principal para el primer aparato transportador y nueve MDPs como seguidores o subordinados que recibirían sus órdenes de velocidad del control principal o captador del primer aparato transportador.

En el Modo Principal Porcentual, el MDP controla el cociente del motor rastreando la captación de pulsaciones del motor que son aplicadas al ingreso 1 de señal (S1). En este modo, la exposición se presenta en unidades tales como galones por minuto, pies por segundo y RPM.

En el Modo Principal de Tiempo, el MDP controla el tiempo de proceso rastreando la captación de pulsaciones del motor que son aplicadas al ingreso 1 de la señal (S1). En este modo, la exposición se presenta en unidades de tiempo tales como HH:MM ó MM:SS, donde HH son horas, MM minutos y SS segundos. Este modo se emplea en forma más común en procesos sensibles al tiempo tales como aparatos transportadores para hornos y aplicaciones de enchapado o plateado.

En el Modo Subordinado, el MDP rastrea el número de pulsaciones que se aplican al ingreso de la señal principal (S2). Mediante estas pulsaciones, se calcula la tasa del proceso principal. Esta tasa es multiplicada por el porcentaje que aparece expuesto en el interconector del usuario. La exposición está expresada en términos del 0.1% de las unidades principales. Por ejemplo, 675=67.5 por ciento de la velocidad principal. Un principal que gira a razón de 1350 RPM, haría que el subordinado trabajase su motor al 67.5% *1350 RPM ó 911.25 RPM. Aplicaciones típicas de subordinados incluyen la rotación sincronizada, los aparatos transportadores sincronizados y algunos procesos de materiales de malla.

Referencia visual



Forma de cambiar el valor de un parámetro (la forma breve)

1. Mantenga oprimido el botón Enter [Ingreso] hasta que ingrese el Modo de Selección de Parámetro.
2. Utilizando los botones Hacia Arriba [UP] y Abajo [Down], seleccione el número de parámetro deseado para verlo o redactarlo.
3. Oprima el botón Enter [Ingreso] para cambiar el valor del parámetro.
4. Utilizando los botones Hacia Arriba [UP] y Abajo [Down], cambie el valor de los parámetros según desee.
5. Oprima el botón Enter [Ingreso] para guardar en forma permanente los cambios realizados (Regrese al Modo de Selección de Parámetro).
6. Seleccione el parámetro cero y oprima el botón Enter [Ingreso] para regresar al Modo de Funcionamiento.

Operación del interconector del usuario (la forma larga)

Aunque el interconector del usuario del MDP es muy versátil, también es sencillo para regular y operar. Solamente oprimiendo unos pocos botones permite al usuario configurar un número de parámetros ajustables. La exposición LED dispone de tres modos básicos de operación: el Modo de Funcionamiento, el Modo de Selección de Parámetros y el Modo de Valores. Cada uno de los tres modos dispone de indicadores visuales específicos que permiten al usuario determinar en forma inmediata el estado actual o el modo del interconector del usuario. **El Modo de Selección de Parámetros y el Modo de Valores solamente se podrán ingresar si el puente habilitador de programa está en la posición “ON”.**

El Modo de Funcionamiento es la exposición establecida, a falta de otra, de la unidad cuando se activa la energía eléctrica. El MDP estará en este modo la mayor parte de su tiempo. En el Modo de Funcionamiento, la exposición muestra el valor de objetivo en el formato definido por el usuario de la tasa, tiempo o porcentaje. El control continuamente intentará propulsar el motor al valor de objetivo solicitado. En este modo de exposición, los botones Hacia Arriba y Hacia Abajo [Up y Down] aumentan o disminuyen el valor del objetivo expuesto hasta que se alcance ya sea la exposición del mínimo o del máximo. Según la configuración de la alarma, estos botones también pueden servir para silenciar o para reactivar la alarma. El ejemplo hace exposición para tasa, tiempo y modos de operación subordinada que son 13.60, 45:30 y 9301.

El Modo de Selección de Parámetro puede ingresarse simplemente oprimiendo y reteniendo oprimido el botón Enter [Ingreso] durante 3 segundos. Una vez en el Modo de Selección de Parámetro, el extremo izquierdo de la exposición será una ‘P’. El lado derecho de la exposición indicará el número del parámetro actualmente seleccionado para fines de redacción. Al oprimir los botones Hacia Arriba o Hacia Abajo [Up o Down], aumentará o reducirá el número del parámetro seleccionado en la exposición. Aunque los números de los parámetros están en orden numérico, se saltan algunos números. Estos números representan parámetros reservados que todavía no están implementados y por ello no se exponen. Una vez quede expuesto el número del parámetro deseado, al oprimir el botón Enter [Ingreso] se cambiará la exposición al Modo de Valor. **Cuando se está en el Modo de Selección de Parámetro, al oprimir el botón Enter [Ingreso] con la selección de número de parámetro en 0 se hará que la unidad regrese al Modo de Funcionamiento.** Exposiciones para ejemplos de Modo de Selección de Parámetro son P 1, P 12 y P 54. Vea los Parámetros de Programas [Software] para una lista de los parámetros que se encuentran disponibles.

El Modo de Valor se emite para modificar el valor del parámetro seleccionado. Estando en el Modo de Valor, los dos puntos que forman el signo de puntuación [:], entre los dígitos dos y tres, destellarán en forma alterna (uno primero y otro después) para informar al usuario que se está redactando el valor de un parámetro. Al oprimir el botón Hacia Arriba o Hacia Abajo [Up o Down], se aumenta o se reduce el valor del parámetro seleccionado. Vea los Parámetros de Programas [Software] para una lista de los valores y regímenes permitidos. Los cambios de valores surten efecto inmediatamente. Por ejemplo, al trasladarse a través de las condiciones de salida de alarma, el relé se activará a medida que pase la selección de siempre en activo. Una vez que el valor deseado aparezca en pantalla, al oprimir el botón Enter [Ingreso] nuevamente se regresará al Modo de Selección de Parámetro. El nuevo valor no se guarda en la memoria permanente hasta oprimir el botón Enter [Ingreso]. Si se desactiva la energía eléctrica de la unidad estando en el Modo de Valor puede dar por resultado la pérdida del nuevo valor especificado.

Instrucciones detalladas para la configuración

Configuración instalada [a falta de otra]

Cuando se despacha de fábrica, se encuentran instalados los siguientes datos básicos:

Modo Porcentual de Operación en RPM

Ingreso de pulsaciones por revolución para las señales S1 y S2: 1

Exposición del punto decimal: Off [desactivado]

Régimen de exposición: 0 - 2400

Régimen de velocidad: 0 - 2400 RPM

Aceleración y Desaceleración: 2500 RPM por segundo

Modo de ingreso de la señal 2 (S2): Empujón @ 1000 RPM estando en baja

Modo de ingreso del usuario (UIN1): Parada por emergencia estando en baja

Salida de alarma: Desactivada

Reactivación de la unidad a los valores instalados en fábrica [a falta de otros]

Los datos instalados en fábrica [valores (default) a falta de otros], pueden reinstalarse fácilmente utilizando cualquiera de dos métodos. Ambos métodos requieren que el puente Habilitador de Programas esté en la posición "ON". El primero es la aplicación energética a la unidad, manteniendo oprimidos durante 3 segundos los botones Enter [Ingreso] y Down [Hacia Abajo]. El segundo es cambiar el valor del parámetro 95 para 5.

JP1 (Puente habilitador de programa)

El puente JP1 se encuentra ubicado debajo de la tapa guardapolvo en el extremo posterior de la tarjeta superior. Cuando el puente está situado en la posición "OFF" [desactivado], todas las características de programación se encuentran excluidas para el usuario del panel delantero. Cuando el puente se encuentra en la posición "ON" [activado], los parámetros de programación quedan abiertos al cambio. JP1 se despacha de fábrica, activado en la posición "ON".

Parámetros de programas [software]

Parámetro	Descripción	Régimen de valores (unidades)	Fábrica, a falta de otro	*
0	Al seleccionar este ítem, se sale hacia el Modo de Funcionamiento	n/a	n/a	
Parámetros de lectura solamente				
1	Número de modelo	10–MD10P Unidad 11–MD3P Unidad	10 or 11	
2	Preparar programa (software)	1–9999	n/a	
3	Versión del equipo (hardware)	1–9999	n/a	
4	Número de serie - Mayor (reservado)	n/a	n/a	
5	Número de serie - Menor (reservado)	n/a	n/a	
Regulación general				
10	Modo de operación	1 – Modo Porcentual 2 – Modo de Tiempo 3 – Modo Subordinado	1	
11	Intensidad de exposición	0 – 31 (Atenuado - Brillante)	20	
13	Posición del punto decimal	0 – DP Desactivado (XXXX) 1 – X.XXX 2 – XX.XX 3 – XXX.X 4 – XXXX.	0	
14	Modo del teclado	1 – Lineal, Tasa constante 2 – No lineal, Tasa de aceleración	2	
15	Demora en rotación del teclado	0 – 30 (Rápido - Lento)	10	
16	Margen de ingreso S1 / S2 y Configuración del contador preliminar	0 – S1 Aumentando /1 S2 Aumentando /1 1 – S1 Descendiendo /1 S2 Aumentando /1 2 – S1 Descendiendo /4 S2 Aumentando /1 3 – S1 Descendiendo /16 S2 Aumentando /1 4 – S1 Aumentando /1 S2 Descendiendo /1 5 – S1 Descendiendo /1 S2 Descendiendo /1 6 – S1 Descendiendo /4 S2 Descendiendo /1 7 – S1 Descendiendo /16 S2 Descendiendo /1 8 – S1 Aumentando /1 S2 Descendiendo /4 9 – S1 Descendiendo /1 S2 Descendiendo /4 10 – S1 Descendiendo /4 S2 Descendiendo /4 11 – S1 Descendiendo /16 S2 Descendiendo /4 12 – S1 Aumentando /1 S2 Descendiendo /16 13 – S1 Descendiendo /1 S2 Descendiendo /16 14 – S1 Descendiendo /4 S2 Descendiendo /16 15 – S1 Descendiendo /16 S2 Descendiendo /16	0	
18	Modo de aumento energético	1 – A falta de otro a exposición de cero 2 – A falta de otro al valor de aumento energético 3 – A falta de otro al valor de funcionamiento anterior	3	
19	Valor del aumento energético	0 – 9999 (Unidades de exposición)	0	
Exposición y Control de la regulación del bucle				
20	Mínima exposición	0 – 9998 (Unidades de exposición)	0	
21	Máxima exposición	1 – 9999 (Unidades de exposición)	2400	
23	Regulación de la aceleración	1 – 9999 (Unidades de exposición)	2500	
24	Regulación de la desaceleración	1 – 9999 (Unidades de exposición)	2500	
26	Ganancia proporcional	0 – 9999 (Unidades no específicas)	0	
27	Ganancia integral	1 – 9999 (Unidades no específicas)	5000	
29	Límite de acumulación de pulsaciones	2 – 5000 (Unidades no específicas)	15	
Regulación del ingreso de la señal #1 (S1)				
30	Referencia de la exposición de S1	0 – 9999 (Unidades de exposición)	2400	
31	Referencia de las RPM de S1	0 – 9999 (RPM)	2400	
32	Pulsaciones por revolución de S1	1 – 2048 (PPR)	1	
33	Banda muerta de S1 (sólo en Modo Subordinado)	0 – 1000 (segundos)	0	

* Regulaciones establecidas por el usuario

Parámetros de programas [software], continuación

Parámetro	Descripción	Régimen de valores (unidades)	Fábrica, a falta de otro	Regulaciones establecidas por el usuario
Regulación del ingreso de la señal #2 (S2)				
35	Ingreso de la configuración S2	1 – Desactivado (Modo subordinado) 2 – Parada E con S2 alta 3 – Parada E con S2 baja 4 – Inhibido con S2 alta 5 – Inhibido con S2 baja 6 – Empujón con S2 alta 7 – Empujón con S2 baja	7	
36	S2, Punto de regulación	1 – 9999 (exposición de unidades)	1000	
37	S2, Pulsaciones por revolución	1 – 2048 (PPR)	1	
38	Modo doble clic de panel delantero	0 - Inhibición de hardware 1 - Doble clic alterna inhibición	0	
Regulación del ingreso #1 por el usuario(UIN1)				
40	Ingreso de la configuración UIN1	1 – Desactivado 2 – Parada E con UIN1 alta 3 – Parada E con UIN1 baja 4 – Inhibido con UIN1 alta 5 – Inhibido con UIN1 baja 6 – Empujón con UIN1 alta 7 – Empujón con UIN1 baja	3	
41	Punto de regulación para el empujón de UIN1	1 – 9999 (exposición de unidades)	1000	
Configuración de la salida de alarma				
50	Condiciones de activación	0 – Siempre en OFF (desactivado) 1 – Siempre en ON (activado) 2 – Activado al sobrepasar el límite superior 3 – Activado al estar por debajo del límite inferior 4 – Activado dentro del régimen 5 – Activado fuera del régimen 6 – Activado cuando Objetivo = 0 7 – Activado cuando no se detectan pulsaciones de captación 8 – Activado en la máxima conducción	0	
51	Estilo de salida y Modo de reactivación	1 – Constante y react. automática 2 – Constante y reactivación manual 3 – Pulsado y react. automáticamente 4 – Pulsado y react. manualmente	1	
52	Configuración de la reactivación	1 – No Sil., Reactivación en la tecla 2 – No Sil., Reactivación en S2 alta 3 – No Sil., Reactivación en S2 baja 4 – Sil., Reactivación en la tecla 5 – Sil., Reactivación en S2 alta 6 – Sil., Reactivación en S2 baja	1	
53	Exposición de destello en alarma activa	0 – Destello de alarma desactivado 1 – Destello de alarma activado	0	
54	Pulsación en tiempo	1 – 3600 (segundos)	1	
55	Pulsación en tiempo	1 – 3600 (segundos)	1	
56	Conteo de pulsaciones	0 – 9999 (pulsaciones)	0	
57	Límite inferior	0 – 9999 (unidades de exposición)	0	
58	Límite superior	0 – 9999 (unidades de exposición)	9999	
Mandatos de memoria de los parámetros				
95	Volver a instalar los valores regulados en fábrica, a falta de otros	0 – Hacer nada y salir 5 – Volver a instalar datos de fábrica, a falta de otros	0	
98	Guardar en área del usuario, a falta de otra	0 – Hacer nada y salir 5 – Guardar los datos establecidos	0	
99	Volver a instalar los valores procedentes del área del usuario, a falta de otra	0 – Hacer nada y salir 1 – Reinstalar los datos establecidos	0	

Descripciones de los parámetros

Parámetro 0 - Salida al Modo de Funcionamiento

Cuando se selecciona el parámetro 0 en el Modo de Selección de Parámetros, la unidad regresará al Modo de Funcionamiento y expondrá el valor de funcionamiento. Este se deberá seleccionar una vez se hayan completado los cambios en los parámetros.

Parámetro 1 - Número de Modelo (Lectura solamente)

Esta es una cifra que representa el número básico del modelo del producto. Los códigos de modelo para el MD10P y MD3P son 10 y 11 respectivamente.

Parámetro 2 - Confección de Programa [o Software] (Lectura solamente)

La confección de programa es un código que identifica la versión del programa [software] de la unidad.

Parámetro 3 - Versión de Equipo [o Hardware] (Lectura solamente)

La versión del equipo [hardware] es un código que identifica el equipo utilizado para fabricar la unidad.

Parámetros 4 y 5 - Número de Serie, Mayor y Menor (Lectura solamente)

Estos parámetros están reservados para uso en el futuro como un número de serie electrónico y son únicos de cada unidad manufacturada.

Parámetro 10 - Modo de Operación

Este parámetro define el modo de operación de toda la unidad. Hay dos modos básicos de operación, el principal [master] y el subordinado [follower]. En los modos principales la unidad controla la carga empleando unidades porcentuales o unidades de tiempo. En el modo subordinado, la unidad controla la carga en términos porcentuales de la tasa principal. Los modos siguientes se encuentran disponibles para el MDP:

Modo 1 - Principal, Modo porcentual

En el Modo Porcentual, el MDP hace su exposición en porcentajes de unidades definidas por el usuario tales como RPM, galones por hora, o pies por segundo. Vea las aplicaciones para ejemplos.

Modo 2 - Principal, Modo de Tiempo

En el Modo de Tiempo, el MDP hace su exposición en unidades de tiempo empleando el formato AA:BB. A falta de otros valores [by default]: AA:BB donde los minutos están representados por (AA) y los segundos por (BB). De manera opcional, puede configurarse para que (AA) represente horas y (BB) represente minutos; u otras unidades definidas por el usuario mediante una relación de 1:60. Al establecer parámetros que están configurados en unidades de exposición, el valor programado es el determinado por la fórmula $(AA * 60) + BB$. La exposición HH:MM, representa el número total de minutos. La exposición MM:SS representa el número total de segundos. Ver aplicaciones para ejemplos.

Modo 3 - Modo Subordinado

En el Modo Subordinado, el MDP hace su exposición en unidades porcentuales en que, 1000 representa el 100.0 por ciento de la tasa principal. Por ejemplo, si la exposición indica 985, 98.5 ó 9.85, el MDP intentará funcionar exactamente al 98.5 por ciento de la tasa principal. Las regulaciones de exposición siempre se ingresan ignorando la posición del punto decimal.

Parámetro 11 - Intensidad de exposición

Este parámetro ajusta la intensidad de exposición del LED de los dígitos que aparecen en el panel delantero de la unidad. Los valores del 0-31 corresponden a un cambio gradual desde muy tenue hasta muy brillante. Frecuentemente esto resulta útil cuando el MDP se utiliza en el mismo panel como otras piezas de equipo con exposición LED y se desea una exposición con brillantez uniforme. Sencillamente, ajuste el MDP para hacerlo coincidir con el ambiente que lo rodee.

Parámetro 13 - Posición del punto decimal (DP)

Se hace la selección del formato para exponer la posición del punto decimal. Este parámetro no afecta el valor ingresado para otros parámetros. Por ejemplo, si el usuario desea exponer 10.00 a 300 RPM, el parámetro 30 quedará establecido a 1000, el parámetro 31 se establecería a 300 y el parámetro 13 estaría regulado a 2.

Modo 0: Fijado XXXX

Modo 1: Fijado X.XXX

Modo 2: Fijado XX.XX

Modo 3: Fijado XXX.X

Modo 4: Fijado XXXX.

Parámetro 14 - Modo del teclado

Este parámetro selecciona el modo de operación de los botones pulsadores del panel delantero. En algunas aplicaciones, aumentar o reducir la tasa de rotación proporciona al usuario mayor efecto de control al ingresar valores de regulación. Los parámetros 14 y 15 afectan solamente los botones de Hacia Arriba [UP] y Hacia Abajo [Down] cuando el interconector del usuario se encuentra en el Modo de Funcionamiento. Estas regulaciones también son aplicables a los botones de operación a distancia de Hacia Arriba/Hacia Abajo [Up/Down] que se encuentran sujetos mediante la tarjeta de opción -1.

Modo 1: Lineal, Relación constante

En el modo lineal, oprimir y retener los botones de Hacia Arriba o Hacia Abajo hará que la exposición cambie el valor continuamente en el sentido de dirección solicitado hasta que se alcance bien sea la Exposición mínima o la Exposición máxima. El valor expuesto hará su rotación a una relación constante que se especifica empleando el parámetro 15.

Modo 2: No lineal, Relación acelerada

En el modo no lineal, oprimir y retener los botones de Hacia Arriba o Hacia Abajo hará que la exposición cambie el valor continuamente en el sentido de dirección solicitado hasta que se alcance bien sea la Exposición mínima o la Exposición máxima. El valor expuesto hará su rotación a una relación más lenta y aumentará en velocidad hasta alcanzar el valor de la máxima relación de rotación. La relación de rotación inicial queda especificada mediante el uso del parámetro 15.

Parámetro 15 - Modo de Rotación del teclado

Este parámetro regula la velocidad de rotación para los botones pulsadores del panel delantero. La función de este parámetro varía ligeramente según el Modo del teclado. Vea el parámetro 14 para detalles adicionales.

Parámetro 16 - Margen de ingreso S1 / S2 y Configuración del contador preliminar

Este parámetro determina cómo el MDP procesa los ingresos de las señales S1 y S2 y especifica qué margen de señal se emplea para las mediciones y el valor de los divisores internos de frecuencia o contadores preliminares. Los modos con contadores preliminares superiores a 1 solamente deben emplearse si la relación de ingreso de pulsaciones en S1 ó S2 excede la máxima relación natural de pulsaciones de la unidad (vea las especificaciones para detalles); de otra forma, el bucle de control puede entorpecerse y sin necesidad volverse falto de precisión. Para configurar este parámetro, use la tabla que sigue a continuación. Como ejemplo, asuma una aplicación que requiere relaciones de ingreso de pulsaciones en S1 de 120,000 pulsaciones por minuto y en S2 de 35,000 pulsaciones por minuto. De acuerdo con las especificaciones eléctricas, la unidad solamente puede aceptar 50,000 pulsaciones por minuto en cada uno de los ingresos S1 y S2. Teniendo presente esto, se deben seleccionar los contadores preliminares S1 y S2 como Descendiendo/ 4 y Aumentando/ 1 respectivamente. En ese caso, el parámetro 16 quedaría regulado a 2.

Selection Chart		S1 Input Edge and Prescaler			
		Rising / 1	Falling / 1	Falling / 4	Falling / 16
S2 Input Edge and Prescaler	Rising / 1	0	1	2	3
	Falling / 1	4	5	6	7
	Falling / 4	8	9	10	11
	Falling / 16	12	13	14	15

Parámetro 18 - Modo de Aumento energético

Este parámetro define el modo que determina el valor de funcionamiento incorporado, a falta de otro, al aplicar inicialmente la energía eléctrica al MDP.

Modo 1: Valor incorporado en 0, a falta de otro

Estando en este modo la unidad expondrá el cero (unidades de exposición) a falta de otro.

Modo 2: Valor incorporado para aumento energético, a falta de otro

Estando en este modo la unidad incorporará el parámetro 19 como valor para aumento energético, a falta de otro.

Modo 3: A falta de otro, usará el valor de funcionamiento anterior

Estando en este modo, la unidad usará, a falta de otro, el valor de funcionamiento anterior antes de que fuese desconectado el suministro energético. *Un valor de funcionamiento anterior tiene que haber estado en activo por lo menos durante 3 segundos para ser llamado después que la energía eléctrica fuera desconectada y vuelta a conectar.*

Parámetro 19 - Valor de aumento energético

Cuando el valor del aumento energético se establece en 2, este parámetro designará el valor incorporado para exposición, a falta de otro, en unidades de exposición para aumento energético.

Parámetro 20 - Exposición mínima

Este parámetro define el extremo inferior del régimen de exposición. Este es el valor que limita el punto más bajo a que el usuario puede llevar la exposición en el Modo de Funcionamiento. En los Modos Porcentual y de Tiempo, este valor está regulado en unidades de exposición. En el Modo Subordinado, está regulado en porcentaje de la tasa principal. Por ejemplo, en el Modo Subordinado, 1250 representa 125.0 por ciento de la tasa principal.

Parámetro 21 - Exposición máxima

Este parámetro define el extremo superior del régimen de exposición. Este es el valor que limita el punto más alto que el usuario puede llevar la exposición en el Modo de Funcionamiento. En los Modos Porcentuales y de Tiempo, este valor está regulado en unidades de exposición. En el Modo Subordinado, está regulado en porcentaje de la tasa principal. Por ejemplo, en el Modo Subordinado, 150 representa el 15.0 por ciento de la tasa principal.

Parámetro 23 - Regulación de aceleración

Este parámetro determina con qué rapidez se acelerará el MDP hacia la regulación del objetivo expuesto. Este parámetro se establece en unidades de exposición de cambio por segundo tales como RPM, GPM, o pies por segundo. En el Modo Subordinado, este parámetro se establece en unidades de RPM.

Parámetro 24 - Regulación de desaceleración

Este parámetro determina con qué rapidez se desacelerará el MDP hacia la regulación del objetivo expuesto. Este parámetro se establece en unidades de cambio por segundo tales como RPM, GPM, o pies por segundo. En el Modo Subordinado, este parámetro se establece en unidades de RPM.

Parámetro 26 - Ganancia proporcional (P)

La Ganancia proporcional es el primero de dos parámetros que definen la sensibilidad de la rapidez de la respuesta del control con respecto a los cambios de carga. En vista de que el MD10P y el MD3P son mandos acumuladores de pulsaciones, la ganancia P tiene distinta respuesta que el mismo parámetro en un control PID con forma estándar de velocidad. Cuanto mayor sea la Ganancia P, con tanta más agresividad la unidad propulsará la carga. Vea la sección PI de Sintonización de control del manual para detalles adicionales.

Parámetro 27 - Ganancia integral (I)

La Ganancia integral es el segundo de dos parámetros que definen la sensibilidad del control con respecto a la rapidez con que responde a la propulsión de la carga. Cuando se usan elevadas captaciones PPR o codificaciones, será necesario reducir la Ganancia I para evitar oscilaciones e inestabilidades indeseables. Vea la sección PI de Sintonización del control del manual para detalles adicionales.

Parámetro 29 - Límite de acumulación de pulsaciones

Este parámetro establece el límite del máximo número de pulsaciones que acumulará el mando antes de que en forma intencional pierda el conteo y por lo tanto la precisión a largo plazo. En vista de que el MD10P y el MD3P son mandos acumuladores de pulsaciones, son capaces de rastrear a un principal (en un modo subordinado) de pulsación a pulsación. Es decir que, son capaces de trabajar durante días, semanas o meses y de permanecer totalmente en sincronismo con un mando o proceso principal; lamentablemente esto en forma funcional se obtiene a un pequeño costo.

A falta de otro, si la señal de captación principal se perdiera y nuevamente vuelta a instalar, la unidad puede que trabaje en alta velocidad durante varios segundos mientras intenta recuperar lo que habrían sido pulsaciones perdidas. Una vez que se recupera, regresa a la operación normal. En algunas aplicaciones, esto resulta un trastorno. En esos casos, el límite de acumulación de pulsaciones, parámetro 29, puede disminuirse para limitar el máximo número de pulsaciones que el mando recordará.

Este parámetro está regulado desde 0 hasta 9999, donde cero es la ausencia de acumulación y 9999 es la máxima acumulación. A medida que esta cifra se aproxima a cero, la unidad gradualmente perderá su capacidad para mandar el motor y eventualmente parará totalmente el motor. Para aplicaciones que demandan mayor precisión a largo plazo, puede ser necesario tener que aumentar el valor de este parámetro.

Parámetro 30 - Ingreso 1 de la señal (S1), Referencia de exposición

Este es el número que será expuesto estando en las RPM de referencia del motor especificado por el usuario. En el Modo Porcentual, esta cifra representa la tasa de unidades tales como pies, onzas o revoluciones. En el Modo de Tiempo, esta cifra representa la referencia del tiempo medida en segundos o minutos. Si la exposición deseada es HH:MM, entonces todos los valores deben ingresarse en minutos. Si se desea MM:SS, entonces todos los valores deben ingresarse en segundos. En el Modo Subordinado, esta cifra es el porcentaje con respecto a la tasa del principal en unidades del 0.1%. Por ejemplo, 1000 es igual a 100%.

Parámetro 31 - Ingreso 1 de la señal (S1), Referencia de RPM

Esta es la referencia en RPM que deberá aparecer expuesta como Referencia de exposición. En los Modos Porcentuales y de Tiempo, este valor representa las RPM del codificador correspondientes a la Referencia de exposición. En los Modos Subordinados no se utiliza este valor.

Parámetro 32 - Ingreso 1 de la señal (S1), Pulsaciones por revolución

Este es el número de pulsaciones por revolución para el ingreso 1 de la señal (S1). El MDP apoya captaciones y codificaciones desde 1 hasta 2048 pulsaciones por revolución.

Parámetro 33 - Ingreso 1 de la señal (S1), Banda muerta (Solamente en el Modo Subordinado)

Estando en el Modo Subordinado, frecuentemente resulta deseable que la unidad subordinada continúe recuperando lentamente el diferencial de pulsaciones existente entre las posiciones del principal y del subordinado. En algunas aplicaciones no es necesario que el subordinado continúe buscando lentamente la pulsación exacta del principal cuando la tasa del principal sea cero. En estos casos, el parámetro de la banda muerta puede establecerse por encima de cero para forzar el MDP a que deje de propulsar lentamente el motor y hacer que se inhiba hasta que el principal comience a dar vueltas nuevamente. En ese momento, el subordinado automáticamente recuperará el diferencial de pulsaciones a medida que comience a dar vueltas. La banda muerta se desactiva colocándola en cero segundos.

Parámetro 35 - Ingreso 2 de la señal (S2), Configuración del ingreso

Este parámetro determina el modo de operación del ingreso 2 de la señal (S2).

Modo 1: Desactivado (Modo Subordinado)

El ingreso S2 está desactivado. Esta es la regulación requerida para el Modo Subordinado.

Modo 2: Parada de emergencia con S2 en alta (No está alambrado al común)

Cuando el ingreso S2 está en un estado eléctricamente alto (+5V) o permitido flotar desconectado, el MDP entrará en el modo de parada por emergencia. Mientras está en este modo, la salida de la armadura quedará inmediatamente desactivada. Una vez que el ingreso de S2 regresa a un estado eléctricamente bajo, o está alambrado al común de la unidad, quedará activada la salida.

Modo 3: Parada de emergencia con S2 en baja (Alambrado al común)

Cuando el ingreso S2 está en un estado eléctricamente bajo, o alambrado al común de la unidad, el MDP entrará en el modo de parada por emergencia. Mientras está en este modo, la salida de la armadura quedará inmediatamente desactivada. Una vez que el ingreso de S2 regresa a un estado eléctricamente alto (+5V) o se le permite flotar desconectado, quedará activada la salida.

Modo 4: Inhibido con S2 en alta (No está alambrado al común)

Cuando el ingreso S2 se encuentra en un estado eléctricamente alto (+5V) o permitido flotar desconectado, el MDP ingresará en el modo inhibido. Mientras está inhibido, la salida de la armadura disminuirá de acuerdo con la regulación de desaceleración hasta alcanzar la salida de cero. Una vez que el ingreso S2 regresa a un estado eléctricamente bajo, o queda alambrado al común de la unidad, la salida comenzará a acelerarse hacia el valor de funcionamiento anterior.

Modo 5: Inhibido con S2 en baja (Alambrado al común)

Cuando el ingreso S2 se encuentra en un estado eléctricamente bajo o está alambrado al común de la unidad, el MDP ingresará en el modo inhibido. Mientras está inhibido, la salida de la armadura disminuirá de acuerdo con la regulación de desaceleración hasta alcanzar la salida de cero. Una vez que el ingreso S2 regresa a un estado eléctricamente alto (+5V) o es permitido flotar desconectado, la salida comenzará a acelerarse hacia el valor anterior de funcionamiento.

Modo 6: Empujón con S2 en alta (No está alambrado al común)

Cuando el ingreso S2 se encuentra en un estado eléctricamente alto (+5V) o permitido flotar desconectado, el MDP ingresará en el modo de empujón. Mientras está en el modo de empujón, la exposición inmediatamente cambiará al punto regulado de empujón, parámetro 36. La unidad comenzará a acelerar o desacelerar hacia la regulación del empujón según las tasas configuradas para aceleración y desaceleración. Una vez que el ingreso S2 regresa a un estado eléctricamente bajo o está alambrado al común de la unidad, la salida comenzará a acelerar o desacelerar hacia el valor anterior de funcionamiento. En el Modo Subordinado, la unidad operará como su propio principal. Esto permite una aplicación de empujón desestimando un principal parado.

Modo 7: Empujón con S2 en baja (Alambrado al común)

Cuando el ingreso S2 se encuentra en un estado eléctricamente bajo o está alambrado al común de la unidad, el MDP ingresará en el modo de empujón. Mientras está en el modo de empujón, la exposición inmediatamente cambiará hacia el punto programado de empujón, parámetro 36. La unidad comenzará a acelerar o desacelerar hacia la regulación de empujón según las tasas configuradas para aceleración y desaceleración. Una vez que el ingreso S2 regresa a un estado eléctricamente alto (+5V) o se le permite flotar desconectado, la salida comenzará a acelerar o desacelerar hacia el valor de funcionamiento anterior. En el Modo Subordinado la unidad operará como su propio modo principal. Esto permite una aplicación de empujón desestimando un principal parado.

Parámetro 36 - Ingreso 2 de la señal (S2), Punto de regulación

Cuando la configuración S2, parámetro 35, es situada en uno de los modos de empujón, este parámetro define el punto de regulación del empujón en unidades de exposición. Si en el modo de operación MDP se establece en el Modo Subordinado, entonces este parámetro queda establecido en unidades de RPM. Esto permite empujar un control subordinado cuando el principal está parado.

Parámetro 37 - Ingreso 2 de la señal (S2), Pulsaciones por revolución

Este es el número de pulsaciones por revolución para el ingreso 2 de la señal (S2). El MDP soporta captaciones y codificaciones desde 1 hasta 2048 pulsaciones por revolución.

Parámetro 38 – Modo doble clic de panel delantero

Cuando se ajusta a un valor de 1, los ajustes del parámetro 35 y el parámetro 40, en especial los modos 4 y 5 (Inhibir) no tienen efecto alguno; en lugar de eso, al hacer “clic” en el botón ENTER dos veces de manera rápida y sucesiva (lo que se llama “doble clic”) activará y desactivará ALTERNATIVAMENTE el modo “Inhibición” del ASP10. Cuando está en modo de inhibición de doble clic, el motor se desacelerará hasta detenerse y la pantalla mostrará 4 guiones “—”. Al hacer doble clic otra vez se hará que el motor acelere hasta la velocidad y tiempo objetivo y la pantalla volverá a su estado normal. Cuando se ajusta a un valor de cero, la función Inhibir se controla exclusivamente mediante el nivel de la señal en la entrada S2 y/o la UIN1 y el ajuste de los parámetros 35 y 40 y la función “Doble clic” no tendrán efecto alguno. Observe también que la inhibición por doble clic sólo se ejecuta en el modo “Run” (operación).

Parámetro 40 - Configuración del ingreso 1 del usuario (UIN1)

Este parámetro determina el modo de operación del ingreso 1 del usuario (UIN1).

Modo 1: Desactivado

El ingreso UIN1 está inactivo.

Modo 2: Parada por emergencia con UIN1 en alta (No está alambrado al común)

Cuando el ingreso UIN1 se encuentra en un estado eléctricamente alto (+5V) o permitido flotar desconectado, el MDP ingresará en el modo de parada por emergencia. Mientras está en este modo, la salida de la armadura quedará inmediatamente desactivada. Una vez que el ingreso UIN1 regresa a un estado eléctricamente bajo o está alambrado al común de la unidad, la salida se activará.

Modo 3: Parada por emergencia con UIN1 en baja (Alambrado al común)

Cuando el ingreso de UIN1 se encuentra en un estado eléctricamente bajo o alambrado al común de la unidad, el MDP ingresará en el modo de parada por emergencia. Mientras está en este modo, la salida de la armadura quedará inmediatamente desactivada. Una vez que el ingreso UIN1 regresa a un estado eléctricamente alto (+5V) o es permitido flotar desconectado, se activará la salida.

Modo 4: Inhibido con UIN1 en alta (No está alambrado al común)

Cuando el ingreso de UIN1 está en un estado eléctricamente alto (+5V) o se permite flotar desconectado, el MDP ingresará en el modo inhibido. Mientras está inhibido, la salida de la armadura se desacelerará de acuerdo con la regulación de desaceleración hasta alcanzar el cero de salida. Una vez que el ingreso UIN1 regresa a un estado eléctricamente bajo o se alambra al común de la unidad, la salida comenzará a acelerarse hacia el valor de funcionamiento anterior.

Modo 5: Inhibido con UIN1 en baja (Alambrado al común)

Cuando el ingreso de UIN1 se encuentra en un estado eléctricamente bajo o está alambrado al común de la unidad, el MDP ingresará en el modo inhibido. Mientras está inhibido, la salida de la armadura disminuirá de acuerdo con la regulación de desaceleración hasta alcanzar el cero de salida. Una vez que el ingreso UIN1 regresa a un estado eléctricamente alto (+5V), o se le permite flotar desconectado, la salida comenzará a acelerarse hacia el valor de funcionamiento anterior.

Modo 6: Empujón con UIN1 en alta (No está alambrado al común)

Cuando el ingreso de UIN1 se encuentra en un estado eléctricamente alto (+5V) o se permite flotar desconectado, el MDP ingresará en el modo de empujón. Mientras está en el modo de empujón, la exposición inmediatamente cambiará al punto regulado de empujón, parámetro 41. La unidad comenzará a acelerar o desacelerar hacia la regulación del empujón según las tasas configuradas para aceleración y desaceleración. Una vez que el ingreso UIN1 regresa a un estado eléctricamente bajo o está alambrado al común de la unidad, la salida comenzará a acelerar o desacelerar hacia el valor anterior de funcionamiento. En el Modo Subordinado, la unidad operará como su propio principal. Esto permite una aplicación de empujón desestimando un principal parado.

Modo 7: Empujón con UIN1 en baja (Alambrado al común)

Cuando el ingreso de UIN1 se encuentra en un estado eléctricamente bajo o está alambrado al común de la unidad, el MDP ingresará en el modo de empujón. Mientras está en el modo de empujón, la exposición inmediatamente cambiará hacia el punto programado de empujón, parámetro 41. La unidad comenzará a acelerar o desacelerar hacia la regulación de empujón según las tasas configuradas para aceleración y desaceleración. Una vez que el ingreso de UIN1 regresa a un estado eléctricamente alto (+5V) o se le permite flotar desconectado, la salida comenzará a acelerar o desacelerar hacia el valor de funcionamiento anterior. En el Modo Subordinado la unidad operará como su propio modo principal. Esto permite una aplicación de empujón desestimando un principal parado.

Parámetro 41 - Ingreso 1 del usuario (UIN1) Punto de regulación

Cuando se establece la configuración UIN1, parámetro 40, a uno de los modos de empujón, este parámetro establece el punto de regulación del empujón en unidades de exposición. Si el modo de operación del MDP se establece en el Modo Subordinado, este parámetro queda establecido en unidades de RPM. Esto permite empujar un control subordinado cuando el principal está parado.

Parámetro 50 - Condiciones de alarma 1

Esto define qué condiciones darán por resultado la activación de la salida de la alarma 1.

Modo 0: Siempre desactivada

La salida de la alarma permanecerá en un estado inactivo. En este estado, los contactos NC y C estarán interiormente conectados eléctricamente.

Modo 1: Siempre activada (Cuando se aplica la energía eléctrica)

La salida de la alarma se activará cuando se aplique la energía eléctrica a la unidad. En este estado, los contactos NO y C estarán interiormente conectados eléctricamente.

Modo 2: Se activa cuando el valor expuesto excede el límite superior

Se activará la salida de la alarma cuando el valor expuesto exceda la cifra del límite superior, parámetro 48.

Modo 3: Se activa cuando el valor expuesto no alcanza el límite inferior

Se activará la salida de la alarma cuando el valor expuesto no alcance la cifra del límite inferior, parámetro 47.

Modo 4: Se activa cuando el valor expuesto se encuentra dentro de régimen

La salida de la alarma se activará cuando el valor expuesto sea superior a o igual a la regulación del límite inferior y menor que o igual a la regulación del límite superior.

Modo 5: Se activa cuando el valor expuesto se encuentra fuera de régimen

La salida de la alarma se activará cuando el valor expuesto sea menor que la regulación del límite inferior o superior al valor regulado para límite superior.

Modo 6: Se activa cuando el objetivo (exposición) = Cero

La salida de la alarma se activará cuando el valor expuesto sea igual a cero. Esto permite que la salida de la alarma se use para activar un freno mecánico para disminuir el tiempo de parada o para proporcionar torque de retención a cero velocidad.

Modo 7: Se activa cuando se ha calado o se ha parado la señal de captación del modo principal

La salida de alarma se activará cuando la captación del ingreso de la señal (S1) del modo principal se haya calado o parado. El límite inferior de la alarma (Parámetro 57) se utiliza para especificar el tiempo de parada del calado, en segundos, bajo una condición de motor calado. Cuando se utiliza el límite inferior para establecer el tiempo de parada, un mandato inhibido o un mandato de velocidad cero no será reconocido como una condición de calado. Se considera que la captación se ha calado si el tiempo de parada transcurre sin captar pulsaciones cuando el valor del objetivo (expuesto) es mayor de cero y no se le ha dado al control un mandato inhibido. El límite superior de la alarma (Parámetro 58) se utiliza para especificar una velocidad cero o una condición de tiempo de parada en segundos. Cuando se utiliza el límite superior para establecer una velocidad cero o un tiempo de parada, un mandato inhibido, un mandato de velocidad cero o una condición de motor calado podrán todos ser reconocidos como una condición de parado. Se considera que la captación se ha parado después que el tiempo de parada transcurre sin captar pulsaciones.

Nota: Cuando se utiliza el límite superior para establecer un tiempo de parada, se debe poner el límite inferior a cero.

Modo 8: Se activa al propulsar al máximo ángulo de conducción

La salida de la alarma se activará cuando el control esté propulsando el motor al máximo ángulo de conducción. Esto se puede emplear para determinar si el control está perdiendo su efectividad debido a la rotura de un alambre de captación de señal cuando no se desea detectar la condición de calado.

Parámetro 51 - Configuración del estilo de salida y reactivación de la Alarma 1

Esta regulación configura el modo de salida y método de reactivación para la salida de la alarma.

Modo 1: Constante y Reactivación automática

En este modo, la salida de la alarma permanecerá activa hasta que deje de existir la condición de alarma. La alarma se reactivará automáticamente cuando las condiciones regresen a la normalidad.

Modo 2: Constante y Reactivación manual

En este modo, la salida de la alarma permanecerá activa hasta que se reactive manualmente la alarma. Vea el parámetro 52 para detalles.

Modo 3: Pulsaciones y Reactivación automática

En este modo, la salida de la alarma emitirá y dejará de emitir pulsaciones hasta que cesen las condiciones de alarma. Los modos pulsados se usan generalmente para alarmas sonoras en que una salida constante sería considerada molesta y motivo de distracción. La alarma se reactivará automáticamente cuando las condiciones regresen a la normalidad.

Modo 4: Pulsaciones y Reactivación manual

En este modo, la salida de la alarma emitirá y dejará de emitir pulsaciones hasta que la alarma sea reactivada manualmente. Vea el parámetro 52 para los detalles acerca de la reactivación. Los modos pulsados se usan generalmente para alarmas sonoras en que una salida constante sería considerada molesta y motivo de distracción.

Parámetro 52 - Configuración para reactivar la Alarma 1

Esta regulación determina qué acciones provocarán el silenciamiento o reactivación de una alarma activa.

Modo 1: Sin silenciamiento, reactivación al oprimir cualquier botón

En este modo, una alarma activa no puede silenciarse. No obstante, una vez que cese la condición de alarma, se podrá oprimir cualquier botón interconector del usuario para provocar la reactivación manual de la alarma.

Modo 2: Sin silenciamiento, Reactivación por el ingreso de S2 en alta (no está alambrado al común)

Similar al Modo 1. Una vez deje de existir la condición de alarma, la regulación del ingreso de S2 a un estilo de alta (+5V) o que se permita flotar desconectado provocará la reactivación manual.

Modo 3: Sin silenciamiento, Reactivación por el ingreso de S2 en baja (alambrado al común)

Similar al Modo 1. Una vez deje de existir la condición de alarma, la regulación del ingreso de S2 a un estado de baja (COM) o alambrar al común provocará una reactivación manual.

Modo 4: Habilitado el silenciamiento, Reactivación al oprimir cualquier botón

Cuando persiste la condición para una alarma activa, al oprimir el usuario cualquier botón interconector tendrá por resultado el silenciamiento o desactivación de la alarma, pero no será reactivada. Habrá que hacer un segundo intento para reactivar la alarma después que deje de existir la condición de alarma para limpiarla.

Modo 5: Habilitado el silenciamiento, Reactivación por el ingreso de S2 en alta (no está alambrado al común)

Similar al Modo 4. La regulación del ingreso de S2 a un estado de alta (+5V) o permitirlo flotar desconectado provocará el silenciamiento o la reactivación de la alarma dependiendo del estado actual de las condiciones de alarma.

Modo 6: Habilitado el silenciamiento, Reactivación por el ingreso de S2 en baja (alambrado al común)

Similar al Modo 4. La regulación del ingreso de S2 a un estado de baja (COM) o alambrarlo al común, provocará el silenciamiento o la reactivación de la alarma dependiendo del estado actual de las condiciones de alarma.

Parámetro 53 - Alarma 1, Exposición de destello por alarma

Esto provocará la exposición de un destello cuando se activa una condición de alarma.

Parámetro 54 - Alarma 1, Pulsación a tiempo

Este parámetro define el número de segundos que la salida deberá estar habilitada durante la fase de 'on' por la salida de la pulsación activa de una alarma.

Parámetro 55 - Alarma 1, Pulsación a destiempo

Este parámetro define el número de segundos que la salida deberá estar inhabilitada durante la fase de 'off' por la salida de la pulsación activa de una alarma.

Parámetro 56 - Alarma 1, Conteo de pulsaciones

Esta regulación determina el número de pulsaciones emitidas cuando la alarma es activada y configurada en estilo de salida de pulsación. *Cuando se ingresa el 0 [cero], la unidad quedará regulada para pulsaciones continuas mientras la alarma esté activa.*

Parámetro 57 - Alarma 1, Límite inferior

Esta regulación determina ya sea el límite inferior, el extremo inferior de un régimen para la región de la alarma o un tiempo de parada. Los límites de la alarma son establecidos en unidades de exposición sin tener en cuenta la posición del punto decimal o de los dos puntos. En los Modos Porcentual y Subordinado, un límite de 123 podría representar un valor de exposición de 123, 12.3, 1.23 ó 0.123. En el Modo de Tiempo, un límite de 123 podría representar 1:23 en la exposición. Cuando el límite inferior se utiliza para establecer un tiempo de parada para el Parámetro 50, Modo 7, este ajuste se hace en segundos.

Parámetro 58 - Alarma 1, Límite superior

Esta regulación determina ya sea el límite superior, el extremo superior de un régimen para la región de la alarma o un tiempo de parada. Los límites de la alarma son establecidos en unidades de exposición sin tener en cuenta la posición del punto decimal o de los dos puntos. En los Modos Porcentual y Subordinado, un límite de 123 podría representar un valor de exposición de 123, 12.3, 1.23 ó 0.123. En el Modo de Tiempo, un límite de 123 podría representar 1:23 en la exposición. Cuando el límite superior se utiliza para establecer un tiempo de parada para el Parámetro 50, Modo 7, este ajuste se hace en segundos.

Parámetro 95 - Mandato establecido por la fábrica, a falta de otro

Cuando se regula a un valor de 5, la unidad quedará reactivada a regulaciones establecidas por la fábrica, a falta de otras. Esto también se puede lograr aplicando energía eléctrica a la unidad oprimiendo ambos botones Enter [ingreso] y Down [Hacia abajo]. *Para que este método funcione, el puente de programación debe estar en la posición "ON".*

Parámetro 98 - Guardar para el usuario; Mandato del área [default] a falta de otro

Cuando se regula a un valor de 5, la unidad guardará todos los parámetros ajustables en el área indicada para el usuario, a falta de otra. El área indicada para el usuario [default] tiene la intención de ser una ubicación donde un OEM o integrador pueda almacenar las regulaciones específicas para su aplicación. Al utilizar esto, un OEM puede fácilmente refrescar, in situ, las regulaciones hecha a medida si un usuario accidentalmente imparte, sin éxito, una nueva configuración en la unidad. Otro uso común para este área es la comprobación y la regulación inicial. El usuario puede guardar en este lugar buenas regulaciones ya conocidas y experimentar sin temores a perder la configuración óptima.

Parámetro 99 - Restauración procedente del Mandato del área establecida, a falta de otra

Cuando se regula a un valor de 1, la unidad restaurará todos los parámetros ajustables procedentes del área establecida por el usuario, a falta de otra. Vea el parámetro 98 para información adicional.

Localización de fallas

Problema	Causa posible	Solución
Exposición en blanco	La energía eléctrica no está aplicada. Unidad defectuosa	Utilizando un voltímetro, verifique que se mida la existencia de un voltaje de 85 a 265VCA entre las posiciones L y N del bloque de terminales. Comuníquese con el apoyo técnico para ayuda e instrucciones adicionales.
Exposición tenue	Intensidad del parámetro de la exposición es demasiado bajo.	La redacción e incremento de la intensidad de exposición del parámetro debe hacer que los dígitos de la exposición se tornen más brillantes.
Al aplicar la energía eléctrica aparece expuesto "LF-L".	La línea de CA que suministra corriente a la unidad tiene demasiado ruido. La línea de CA que suministra corriente a la unidad tiene demasiado ruido.	Revise el encauzamiento de los alambres eléctricos de la máquina para reducir al mínimo el ruido eléctrico. Busque otros dispositivos que compartan el mismo circuito y que podrían estar produciendo niveles inaceptables de ruidos en la línea. En algunas aplicaciones tales como los equipos de soldadura, una cuidadosa regimentación de aplicación de un filtro de línea de CA, el reencauzamiento de los alambres, la división de circuitos, el uso de cables blindados y la correcta puesta a tierra de los dispositivos, generalmente resolverán el problema. Esta unidad está diseñada para operar con líneas de CA desde 48 a 62 Hz (ciclos por segundo). Esto no es típicamente un problema puesto que las normas internacionales son 50 y 60 Hz..
Al aplicar la energía eléctrica aparece expuesto "LF-H".	La línea de CA que suministra corriente a la unidad tiene demasiado ruido. La línea de CA que suministra corriente a la unidad tiene una frecuencia anormalmente elevada.	Revise el encauzamiento de los alambres eléctricos de la máquina para reducir al mínimo el ruido eléctrico. Busque otros dispositivos que compartan el mismo circuito y que podrían estar produciendo niveles inaceptables de ruidos en la línea. En algunas aplicaciones tales como los equipos de soldadura, una cuidadosa regimentación de aplicación de un filtro de línea de CA, el reencauzamiento de los alambres, la división de circuitos, el uso de cables blindados y la correcta puesta a tierra de los dispositivos, generalmente resolverán el problema. Esta unidad está diseñada para operar con líneas de CA desde 48 a 62 Hz (ciclos por segundo). Esto no es típicamente un problema puesto que las normas internacionales son 50 y 60 Hz.
La salida de alarma parece que no funciona.	Los parámetros de salida de la alarma no están configurados correctamente.	Los parámetros de salida de la alarma no están configurados correctamente. Revise los parámetros de salida de la alarma. La salida del relé de alarma puede comprobarse seleccionando el valor de "Siempre activada" para los parámetros de la condición de activación de la salida de alarma. Al hacer esto, el click que hace el relé debe escucharse y los terminales NC (normalmente cerrado) y C (común) deben quedar interiormente en corto en el bloque de terminales.

Opciones de apoyo técnico

- Visite la dirección del Web para Dart Controls en: www.dartcontrols.com
- Apoyo técnico por correo electrónico [e-mail] en: techsupport@dartcontrols.com
- Línea telefónica para apoyo técnico en 317-733-2133, extensión 4

¿Que tiene de especial www.dartcontrols.com?

- Los cambios en material impreso y ofertas de producto, primero aparecen en línea.
- Los manuales de productos y otra literatura tienen acceso fácil.
- Toda información puede quedar fácilmente expuesta o impresa, según sea necesario.

MDP CONTROL SERIES

DART

CONTROLS

Guide d'utilisation

Commande de vitesse programmable à boucle fermée DC



**P.O. Box 10
5000 W. 106th Street
Zionsville, Indiana 46077**

**Téléphone (317) 873-5211
Télécopie (317) 873-1105
www.dartcontrols.com**

Aperçu rapide

Quels sont les modèles et les options disponibles ?

Voir page 3.

Vous cherchez des caractéristiques techniques détaillées ?

Voir page 3 et 4.

Vous voulez commencer rapidement ?

Voir les instructions de branchement électrique en page 8.

Voir les instructions d'installation mécanique en page 4 et 5.

Besoin d'aide ?

Voir les instructions de dépannage en page 24.

Garantie

Dart Controls, Inc. (DCI) garantit que ses produits ne comportent aucun défaut de matière ou de fabrication. Le recours exclusif dans le cadre de cette garantie est le remplacement en usine par DCI de toute pièce (ou pièces) d'un produit retourné par l'acheteur à l'usine DCI, tous frais de port prépayés, dans un délai de 12 mois après sa date de livraison, et que DCI aura déterminé comme étant défectueux. Cette garantie ne couvre pas les défauts résultant d'un montage qui n'aurait pas été effectué par DCI, ni les pièces qui auraient été réparées ou modifiées par un tiers autre que DCI, ni tout article que DCI déterminerait avoir été incorrectement utilisé. DCI se dégage de toute responsabilité en ce qui concerne les caractéristiques de conception de toute unité ou de son fonctionnement dans tout circuit ou montage. Cette garantie annule et remplace toutes les autres garanties, expresses ou implicites ainsi que les autres engagements et obligations de DCI, y compris les dommages indirects qui sont expressément exclus par les présentes.

REMARQUE : Vérifier soigneusement la commande pour des dommages subis lors du transport. Faire immédiatement état de tout dommage auprès du transporteur. Ne pas tenter de faire fonctionner le système, si vous constatez que le circuit ou les composants électroniques sont endommagés.

Bien que toutes les informations de ce manuel se veulent fiables, son contenu et ses données pourront être modifiés sans préavis. DCI ne donne aucune garantie d'aucune sorte sur la pertinence de ces données ou renseignements. De plus, DCI dégage sa responsabilité de toute omission ou erreur ou des dommages indirects qui seraient imputables à l'utilisateur du produit. DCI se réserve le droit d'effectuer des modifications techniques qui peuvent ne pas être mentionnées dans ce manuel.

AVERTISSEMENT

Une installation ou une utilisation incorrecte de cette commande peut entraîner des dommages corporels pour le personnel ou un mauvais fonctionnement de la commande. L'installation de la commande devra s'effectuer en conformité avec les réglementations nationales, régionales et locales en vigueur. Assurez-vous que l'alimentation électrique est débranchée avant de procéder à des travaux d'entretien ou de retrait des composants. Si l'interrupteur électrique n'est pas visible, verrouillez-le en position alimentation coupée et apposez une note d'avertissement pour éviter toute mise sous tension imprévue. Seul un électricien ou du personnel de maintenance qualifié pourra effectuer les dépannages ou l'entretien électriques. Il ne faudra jamais vérifier la continuité du circuit en court-circuitant les bornes avec un tournevis ou tout autre dispositif métallique.

Table des matières

Introduction	2
Caractéristiques générales	2
Modèles et options	3
Tableaux des modèles	3
Options disponibles	3
Accessoires conseillés	3
Agréments d'organismes de normalisation	3
Caractéristiques techniques	3
Caractéristiques électriques	3
Caractéristiques mécaniques	4
Conditions d'environnement	4
Installation mécanique	4
Vue éclatée du panneau	4
Dimensions de la découpe et de montage	5
Installation du capteur de la série PU-E	7
Installation et schémas électriques	8
Schéma de branchement du boîtier de raccordement P1	8
Description du boîtier de raccordement P1	9
Câblage en option -1	9
Instructions de base pour l'utilisation	10
Description de l'algorithme de commande	10
Réglage PI de la boucle de cumul d'impulsions	10
Explication des Modes Maître (Taux et Temps) et Esclave (Rapport)	11
Référence visuelle)	11
Comment changer la valeur d'un paramètre (en bref).....	12
Utilisation de l'interface utilisateur (en détail)	12
Instructions de configuration détaillées	13
Configuration par défaut	13
Réinitialisation de l'unité aux valeurs par défaut d'usine	13
JP1 (Cavalier de validation de programme).....	13
Paramètres logiciels	14
Paramètres logiciels (suite)	15
Dépannage	24
Options d'assistance technique	24
Qu'y-a-t'il de spécial sur www.dartcontrols.com ?	24


Introduction

La série MDP de commandes moteur sont des unités compactes, à base de microprocesseur, qui peuvent être configurées en usine ou sur place pour répondre à de nombreux besoins industriels de commande de mouvement. Ces commandes sont conçues autour d'un algorithme PI de cumul d'impulsions. Elles peuvent être facilement configurées pour des fonctions de : commande de vitesse numérique, commande temporelle de procédé ou commande de suivi logométrique dans des systèmes maître-esclave. Grâce aux nouvelles techniques de conception de bus modulaire de Dart, la série MDP est idéale pour des applications OEM à gros volumes qui nécessitent des entrées et des sorties spéciales. Veuillez prendre contact avec le service commercial de Dart Controls pour plus de renseignements. Cette souplesse d'adaptation rend la série MDP idéale pour des applications telles que :

- Systèmes de traitement des eaux et des déchets
- Commandes de séchoir continu à rail
- Convoyeurs synchronisés

Ses robustes boîtiers en aluminium 1/8 et 1/4 DIN peuvent être facilement montés dans un panneau ou une armoire de commande. Le nouveau boîtier de raccordement enfichable livré en option, permet à l'utilisateur d'installer rapidement ou de remplacer des unités sans être contraint de détacher et de rebrancher des fils. Les unités peuvent être commandées avec un boîtier de raccordement de type européen ou un connecteur enfichable en option.

Caractéristiques générales

- La conception à base de microprocesseurs assure une meilleure souplesse d'exécution et de précision.
- L'algorithme numérique à boucle fermée assure une précision à long terme de la vitesse de consigne de +/- 0,5 RPM.
- La mémoire non volatile stocke les paramètres réglables même lorsque l'appareil est hors tension.
- Programmation sur place ou en usine par clavier frontal.
- Paramètres réglables : minimum, maximum, accélération, décélération, options d'écran, options d'alarmes, etc.
- Le cavalier interne de validation de programme protège sélectivement la configuration de l'unité.
- L'alimentation électrique universelle accepte des tensions secteur de 85 à 265 V c.a. alternatifs @ 50 ou 60Hz sans commutateurs ou cavaliers. L'unité s'adapte automatiquement à la tension.
- La protection contre les surtensions transitoires prolonge la durée de vie de l'unité dans des environnements industriels difficiles.
- Compatibilité avec de nombreux types de signaux d'entrée dont : signaux de capteurs à effet Hall, photoélectriques, TTL, etc.
Remarque : Les dispositifs à collecteur ouvert doivent pouvoir écouler 3 mA.
- Alimentation électrique intégrée pour le capteur externe, limitée à 5V @ 50 mA.
- Sortie alarme programmable avec des contacts en C, tension nominale 250 V c.a. alternatifs @ 5A.
- Entrées utilisateurs pour fonctions d'inhibition, d'arrêt d'urgence et de marche fractionnée.
- Robuste boîtier en aluminium de 1/8 et 1/4 DIN pour le montage sur panneau du MD10P et du MD3P.
- Grand écran à diodes électroluminescentes avec 4 caractères de 1,27 cm.
- La membrane en Lexan G.E. et le joint (inclus) répondent aux normes NEMA 4X, s'ils sont utilisés avec des boîtiers NEMA 4X.
- Boîtier de raccordement européen ou boîtier de raccordement enfichable
- Fichier n° E78180 (MD10P), reconnu c  us
- Large plage de températures de fonctionnement allant de -10°C à +45°C (14°F à 113°F)
- Plusieurs modes de fonctionnement dont :
 - Mode Maître, Taux : commandes de taux en unités telles que RPM, litres par seconde, etc.
 - Mode Maître, Temporel : commandes en unités de temps comme HH : MM, MM : SS, SS : TT ou autres.
 - Mode Esclave : commandes en pourcentage du taux maître. Avec ce mode, la commande MDP peut suivre précisément les actions d'un procédé maître sans perte de position à long terme.

Modèles et options

Tableaux des modèles

Modèle	Tension d'entrée @ 50 - 60Hz	Tension de sortie sous 120 V c.a. (sous 240 V c.a.)	Puissance de sortie maximale en c.v. sous 120 V c.a. (sous 240 V c.a.)	Intensité continue maximum d'induit (A)	Capteur ou encodeur requis ?
MD10P	85 à 265 V c.a.	90 V cc (180 V cc)	0,5 1	5 5	Oui
MD3P	85 à 265 V c.a.	90 V cc (180 V cc)	1 2	10 10	Oui
MD3E	85 à 265 V c.a.	90 V cc (180 V cc)	1 2	10 10	Oui



Options disponibles

Suffixe de l'option	Description	Exemple
-1	Carte d'extension qui ajoute la prise en charge du câblage d'un bouton de commande distant via un boîtier de raccordement de type européen	MD10P-1, MD3P-1
-P	Boîtier de raccordement enfichable de type européen en option	MD10P-P, MD3P-1-P
-9	Lexan vierge	MD10P-9

Accessoires conseillés

Modèle	Description	Impulsions par tour	Plage de vitesses de rotation lorsqu'il est utilisé avec les MD10P, MD3P et MD3E
PU-2E	Capteur à effet Hall, canal unique	1	1,0 – 50 000 RPM
PU-4E	Capteur à effet Hall, canal unique	2	0,5 – 25 000 RPM
PU-20E	Capteur à effet Hall, canal unique	10	0,1 – 5 000 RPM
PU-40E	Capteur à effet Hall, canal unique	20	0,05 – 2 500 RPM

Agréments d'organismes de normalisation

 US Compositant agréé MD10P, MD3P	E78180
 US LISTED MD3E	34M5
NEMA 4X MD10P / MD3P / MD3E	

Caractéristiques techniques

Caractéristiques électriques

Tension d'alimentation secteur	Toute tension alternative entre 85 et 265V c.a.
Frequence de tension d'alimentation	Toute frequence entre 48 et 62 Hertz
Plage de tension du signal d'entree	0-5 V cc a 0-24 V cc onde carree
Plage de frequence du signal d'entree	0 a 50 000 impulsions par minute (des frequences plus elevees sont possibles en utilisant un diviseur / pre etalonneur de frequence interne)
Plage d'affichage	0,001 a 99 990
Unites de fonctionnement	Programmable par l'utilisateur, toute unite
Alimentation electrique du detecteur / capteur	5V @ 50mA
Valeurs nominales de sortie du relais d'alarme isole	Courant alternatif 250V c.a. @ 5A
Tension moyenne de sortie d'induit	Depend de la tension d'alimentation secteur (voir tableau de modeles)
Capacite de surcharge structurelle	200% pendant 1 minute

Caractéristiques mécaniques

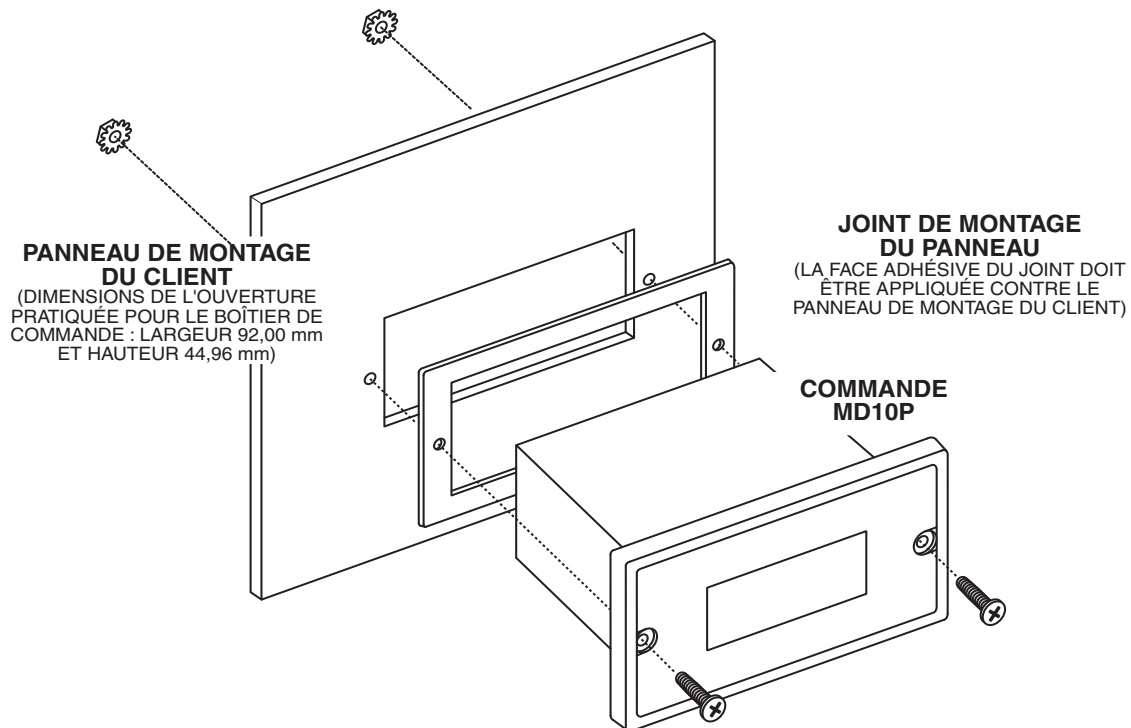
Type d'affichage	DEL, Rouge, 4 caractères, 1,27 cm
Type de boîtier (avec joint fourni dans le panneau NEMA 4x)	NEMA 4X
MD3E	NEMA 4
Type de connecteur (connecteur enfichable en option)	Type européen de 5 mm à 12 positions
Réglage du couple du boîtier de raccordement	4.4 in. lb ou 0,5 Nm maxi
Matériau de la plaque avant	Polycarbonate avec couche de GE Lexan
Matériau du boîtier	Aluminium
Longueur (profondeur du panneau nécessaire) MD10P & MD3P	4.625" ou 117,48mm
Largeur de la plaque avant	4.539" ou 115,29mm
Poids MD10P.....	0.8425 lb, 13.48 oz ou 382,14 g
MD3P.....	1.52 lb, 24.32 oz ou 689,44 g
MD3E.....	1.64 lb, 26.24 oz ou 743,88 g

Conditions d'environnement

Plage de température de fonctionnement	10C a +45C (15F a 115F)
Plage de taux hygrometrique de fonctionnement	95%, sans condensation

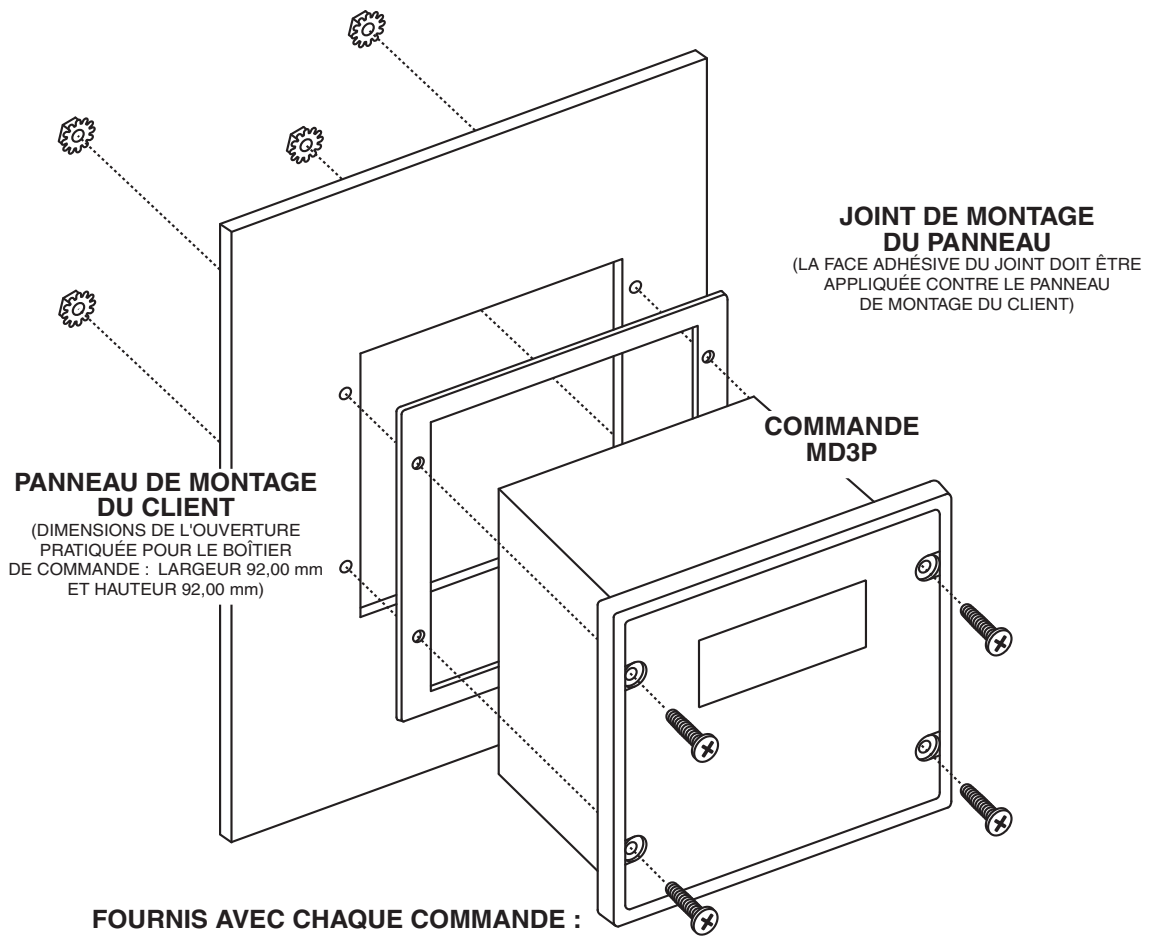
Installation mécanique

Vue éclatée du panneau



FOURNIS AVEC CHAQUE COMMANDE :

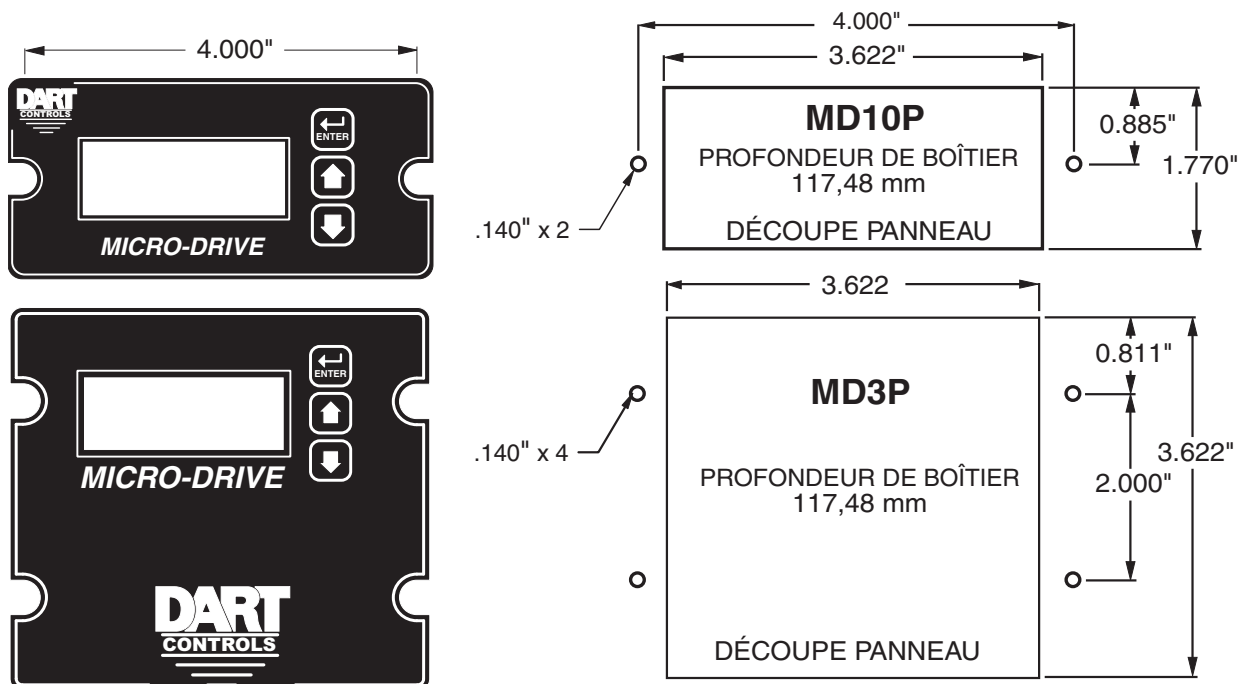
- 1) JOINT
- 2) (2) VIS À TÊTE CYLINDRIQUE EN ACIER INOXYDABLE OXYDÉ NOIR, DE 6-32 X 3/4
- 3) (2) ÉCROUS N 6 AVEC RONDELLE FREIN

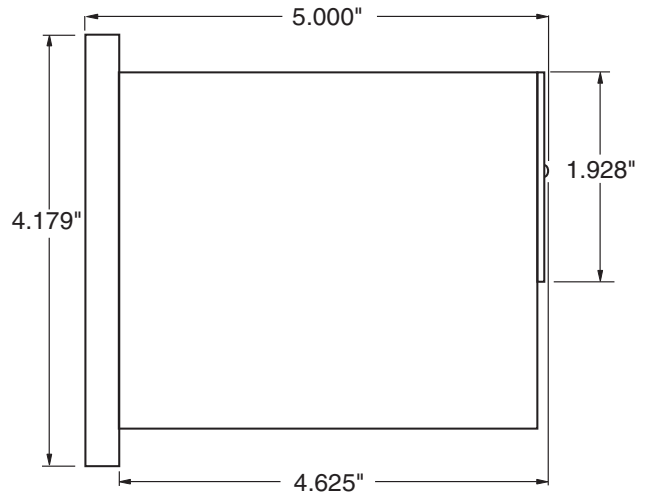
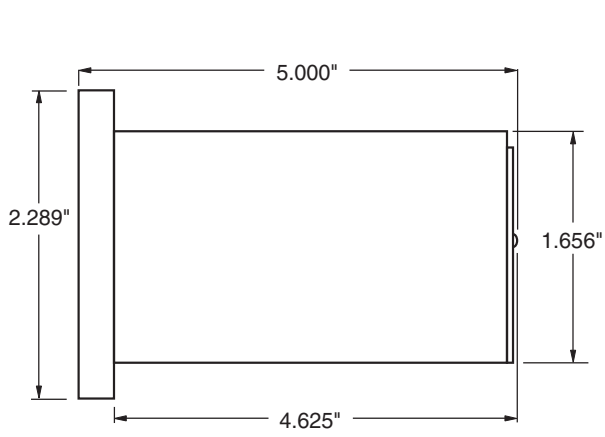


FOURNIS AVEC CHAQUE COMMANDE :

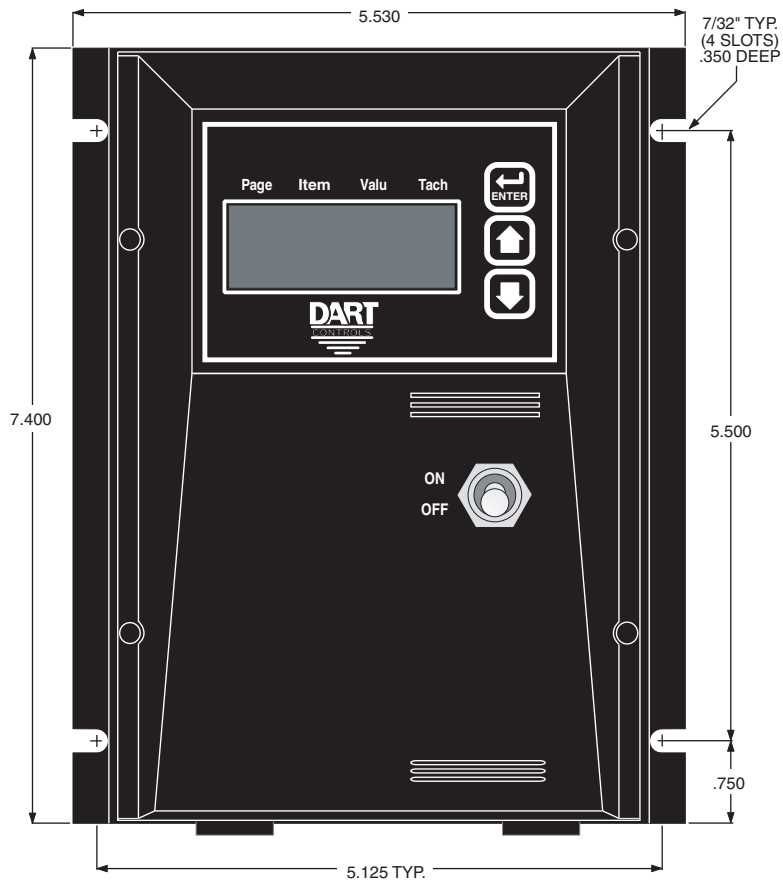
- 1) JOINT
- 2) (4) VIS À TÊTE CYLINDRIQUE EN ACIER INOXYDABLE OXYDÉ NOIR, DE 6-32 X 3/4
- 3) (4) ÉCROUS N 6 AVEC RONDELLE FREIN

Dimensions de la découpe et de montage



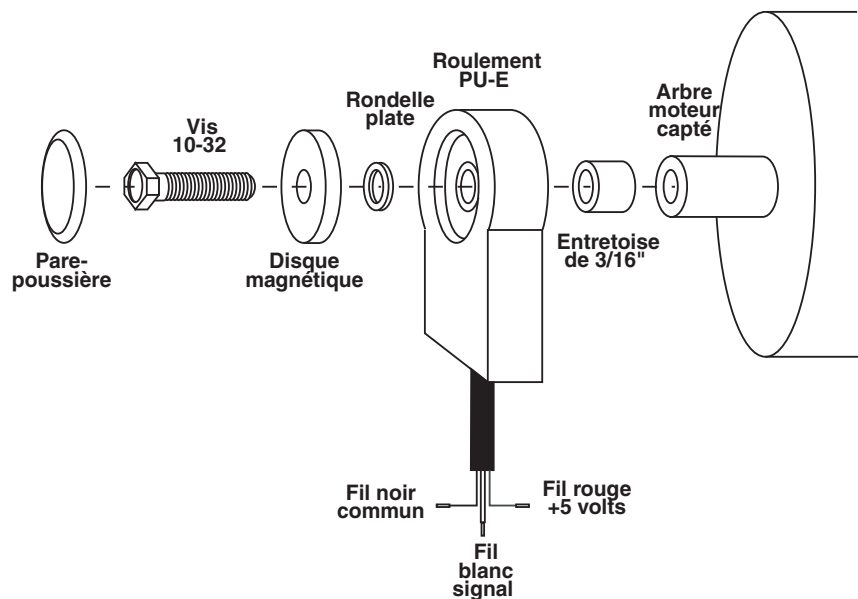


MD3E



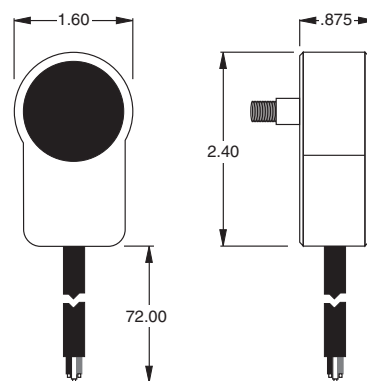
Installation du capteur de la série PU-E

Le capteur de la série PU-E est un moyen économique pour contrôler la vitesse du moteur. Sa conception brevetée permet une installation facile dans des zones d'accès difficile. Le PU-E fonctionne avec une alimentation électrique de +5V, produisant une onde carrée de 5 volts dont la fréquence est proportionnelle à la vitesse. Ce signal est alimenté dans la commande MDP pour servir de vitesse ou de position de référence au microprocesseur.



N° du modèle	Impulsions par tour
PU-2E	1
PU-4E	2
PU-20E	10
PU-40E	20

Dimensions



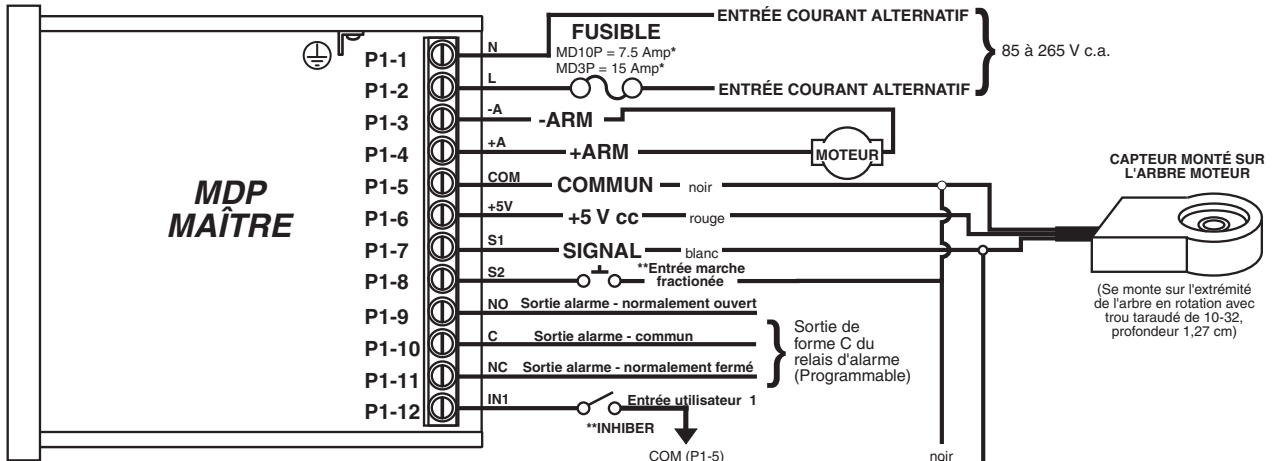
ATTENTION
NE PAS SERRER À L'EXCÈS LA VIS DE MONTAGE !

Aucune autre vis de montage n'est nécessaire, car le cordon empêchera l'unité de pivoter.

Prudence : Le cordon du PU-E ne devra pas être regroupé avec d'autres fils ou cordons. Pour des applications avec des fils PU-E de longueur supérieure à 1,80 m, ou dans des environnements bruyants, il est conseillé d'utiliser un câble blindé. Relier le blindage à la borne commun sur le MDP, en laissant le blindage libre à l'extrémité PU-E.

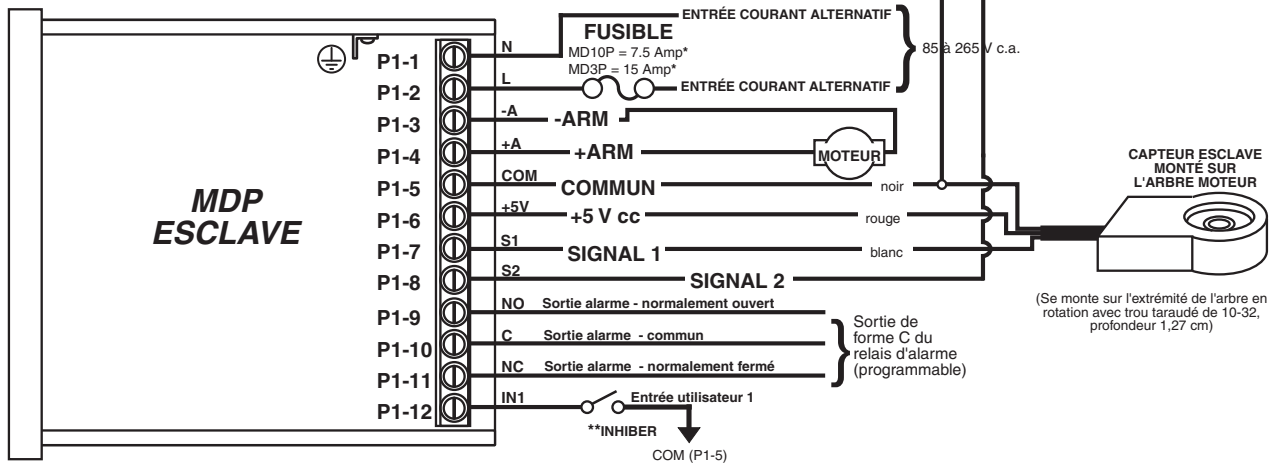
Installation et schémas électriques

Schéma de branchement du boîtier de raccordement P1



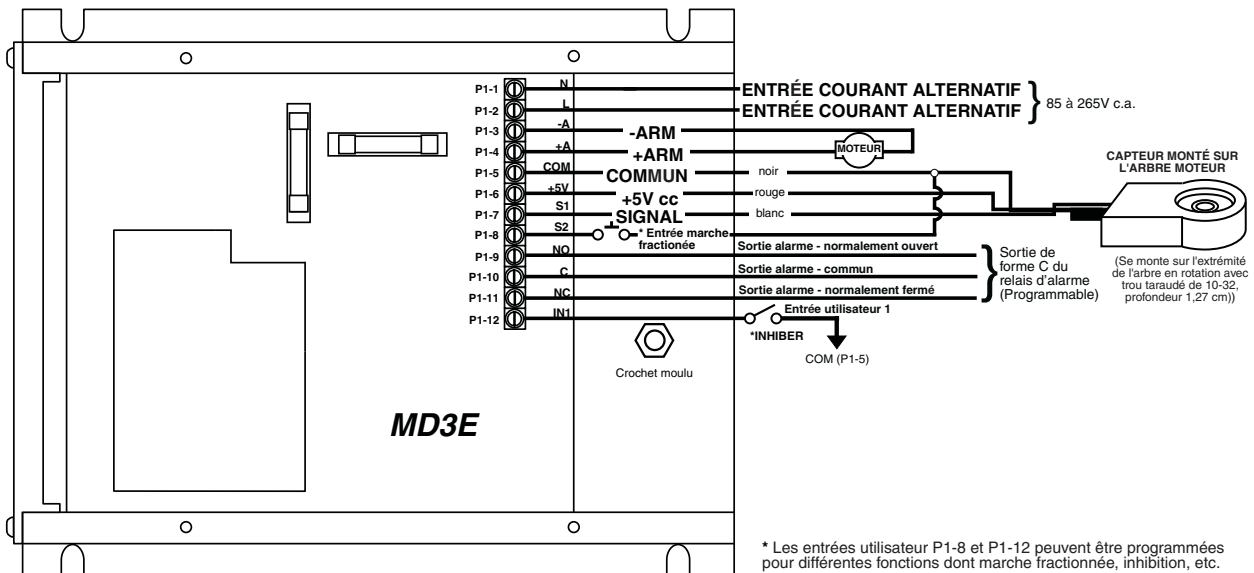
* Pour les entrées de courant alternatif utilisant deux lignes vives, les entrées des deux lignes devront être protégées avec des fusibles ou des disjoncteurs de valeur appropriée.

** Les entrées utilisateur P1-8 et P1-12 peuvent être programmées pour différentes fonctions dont marche fractionnée, inhibition, etc...
for a number of functions. Including (jog, inhibit, etc.)



* Pour les entrées de courant alternatif utilisant deux lignes vives, les entrées des deux lignes devront être protégées avec des fusibles ou des disjoncteurs de valeur appropriée.

** Les entrées utilisateur P1-8 et P1-12 peuvent être programmées pour différentes fonctions dont marche fractionnée, inhibition, etc...



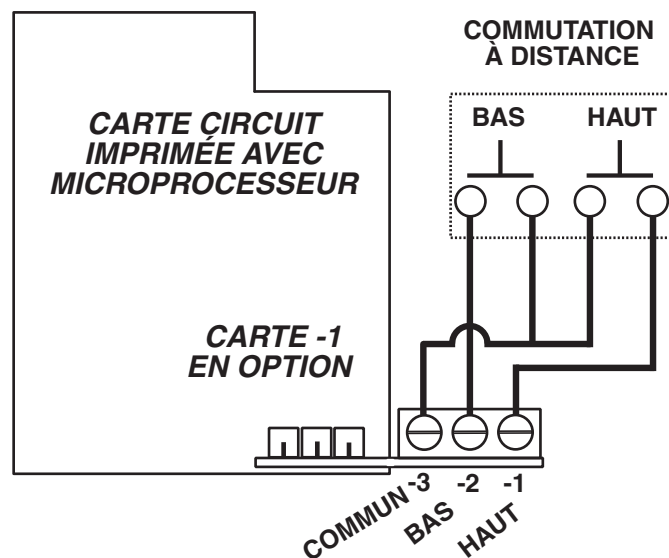
* Les entrées utilisateur P1-8 et P1-12 peuvent être programmées pour différentes fonctions dont marche fractionnée, inhibition, etc.

Description du boîtier de raccordement P1

- P1-1 (AC / N) – Pour les lignes CA monophasées, relier à cette borne le côté neutre de votre ligne CA. Pour les systèmes avec deux lignes vives CA, relier à cette borne l'une ou l'autre des lignes vives CA.
- P1-2 (AC / L) – Pour les lignes CA monophasées, relier à cette borne le côté vif de votre ligne CA. Pour les systèmes avec deux lignes vives CA, relier à cette borne l'une ou l'autre des lignes vives CA.
- P1-3 (-A) - Ceci est la borne d'induit (-ARM). Pour que votre moteur tourne dans le sens normal, vous devez relier le câble d'induit (-) de votre moteur à cette borne. Le câble d'induit (+) de votre moteur sera relié ici si vous souhaitez que l'induit tourne en sens inverse.
- P1-4 (+A) - Ceci est la borne d'induit (+ARM). Pour que votre moteur tourne dans le sens normal, vous devez relier le câble (+) d'induit de votre moteur à cette borne. Le câble d'induit (-) de votre moteur sera relié ici si vous souhaitez que l'induit tourne en sens inverse.
- P1-5 (COM) – Ceci est le point commun de la logique de commande. Le fil commun du capteur de vitesse doit, comme toute autre source, prendre référence sur le commun de commande. Il sera donc relié à cette borne.
- P1-6 (+5V) – Ceci est une alimentation électrique + 5 V cc intégrée pouvant délivrer jusqu'à 50 mA. Le fil d'alimentation du capteur de vitesse peut être relié à cette borne pour son alimentation électrique.
- P1-7 (S1) – Ceci est la borne d'entrée de signal du capteur ou de l'encodeur numérique du moteur.
- P1-8 (S2) – Cette entrée peut être programmée pour plusieurs fonctions avancées. Dans le Mode Esclave, cette entrée est la borne d'entrée de signal du capteur ou de l'encodeur numérique maître. Dans les modes maîtres (taux et temporel), cette entrée peut être configurée pour fonctionner comme commande d'arrêt d'urgence, d'inhibition ou de marche fractionnée.
- P1-9 (1NO) – Ceci est le contact normalement ouvert de la sortie relais à la disposition de l'utilisateur.
- P1-10 (1C) – Ceci est le contact commun de la sortie relais à la disposition de l'utilisateur.
- P1-11 (1NC) – Ceci est le contact normalement fermé de la sortie relais à la disposition de l'utilisateur.
- P1-12 (IN1) – Cette entrée peut être programmée pour plusieurs fonctions avancées. Elle peut être configurée pour fonctionner comme commande d'arrêt d'urgence, d'inhibition ou de marche fractionnée.

Câblage en option -1

La carte -1 en option est un module qui permet à des boutons poussoirs Haut et Bas externes d'être reliés à l'unité. Ces boutons ont exactement la même fonction que les boutons Haut et Bas de l'interface utilisateur. Ce module est habituellement utilisé pour permettre à des API ou des boîtiers de commande manuels d'actionner à distance le panneau de commande. Les câbles des boutons externes sont reliés via un boîtier de raccordement européen de 3 mm sur la carte en option -1. Les boutons sont activés en reliant la borne marquée Com à l'une ou l'autre des bornes Haut ou Bas.



Instructions de base pour l'utilisation

Description de l'algorithme de commande

Les commandes de la série MDP sont basées sur un algorithme de cumul d'impulsions. L'avantage de ce type d'algorithme est qu'il permet à la commande de suivre un procédé maître avec une grande précision sur le long terme. Les commandes MD10P et MD3P ont trois paramètres qui permettent à l'utilisateur de régler l'intensité avec laquelle les unités excitent le moteur pour atteindre la vitesse de consigne. Ces 3 paramètres sont les suivants :

Gain P – C'est le gain proportionnel pour la boucle de régulation. Dans les algorithmes de cumul d'impulsions purs, il n'y a aucune erreur de boucle sur laquelle baser un facteur « P ». De ce fait, ces unités devront estimer l'erreur en se basant sur plusieurs facteurs de la boucle de régulation. Les personnes qui connaissent bien les problèmes de réglage d'une régulation PID sauront que le Gain P des commandes MD10P et MD3P diffère quelque peu de celui des algorithmes PID vitesse-forme standards. Le gain P est une fonction de l'erreur instantanée qui mesure la différence entre la vitesse de consigne (souhaitée) et la vitesse actuelle du moteur.

Gain I – C'est le gain intégral pour la boucle de régulation. Le gain I est une fonction de l'erreur cumulée qui mesure la différence entre la vitesse de consigne (souhaitée) et la vitesse actuelle du moteur.

Limite de cumul d'impulsions – Ce paramètre permet à l'utilisateur de limiter le nombre d'impulsions que l'entraînement va cumuler avant de les négliger intentionnellement et de limiter ainsi la précision à long terme. Voir les informations détaillées sur le paramètre 29, dans la partie « Description des paramètres ».

Réglage PI de la boucle de cumul d'impulsions

De nombreuses applications n'ont pas besoin d'affiner le réglage des paramètres de gain I et P au-delà des réglages par défaut d'usine. Si l'on souhaite une plus grande réactivité, ou si le moteur oscille trop fortement lors du changement de vitesse, il peut être nécessaire d'ajuster les gains P et I pour obtenir un fonctionnement optimal.

L'augmentation des gains I et/ou P va se traduire par une commande plus agressive du moteur. Le fait de diminuer les gains P et/ou I fera que la commande de l'unité soit plus molle. Le réglage correct des gains P et I nécessite plus que le réglage indépendant de P et I. Il est très important de tenir compte également du rapport entre les deux. Bien que le réglage initial puisse demander un certain temps, voici comment procéder :

Procédure d'essai : réglez la vitesse de consigne (affichée) désirée pour un fonctionnement normal, sans oublier de tester les transitions d'inhibition et de marche fractionnée, le cas échéant.

Méthode de réglage :

Étape 1 : Branchez la commande sur le moteur en charge avec la charge prévue pour l'application afin que le réglage soit réaliste.

Étape 2 : Effectuez la procédure d'essai.

Étape 3 : Si la commande fonctionne bien, arrêtez le réglage et enregistrez les paramètres.

Étape 4 : Si la commande est trop molle ou qu'elle prend trop de temps pour atteindre la vitesse de consigne, essayez d'augmenter légèrement le gain I (ajoutez 250). Effectuez à nouveau la procédure d'essai. Continuez à augmenter le gain I jusqu'à ce que le moteur commence à osciller légèrement ou devienne instable. À ce stade, diminuez le gain I de 250.

Étape 5 : Si la commande est trop agressive ou si le moteur oscille ou devient instable, essayez de diminuer légèrement le gain I (enlevez 250). Effectuez à nouveau la procédure d'essai. Continuez à diminuer le gain I jusqu'à ce que le moteur commence à se stabiliser et à être régulé de manière plus précise.

Étape 6 : Une fois que I sera défini, réglez le gain P et effectuez la procédure d'essai. Dans cette commande, un gain P supérieur pourra ou non améliorer la réactivité ou la stabilité. Il sera nécessaire de faire plusieurs essais.

Les réglages d'accélération et de décélération ont aussi une légère influence sur le réglage PI. Plus précisément, lorsque les paramètres d'accélération et de décélération sont très rapides, la boucle de régulation pourra fonctionner plus mollement. Il ne faut pas non plus oublier que le réglage PI affecte les temps d'accélération et de décélération. Par exemple, une boucle de régulation PI réglée pour agir trop mollement, peut prendre plus de temps que les durées d'accélération et de décélération programmées pour atteindre la valeur de consigne, tandis qu'une boucle de régulation PI réglée agressivement atteindra la valeur de consigne plus rapidement.

Explication des Modes Maître (Taux et Temps) et Esclave (Rapport)

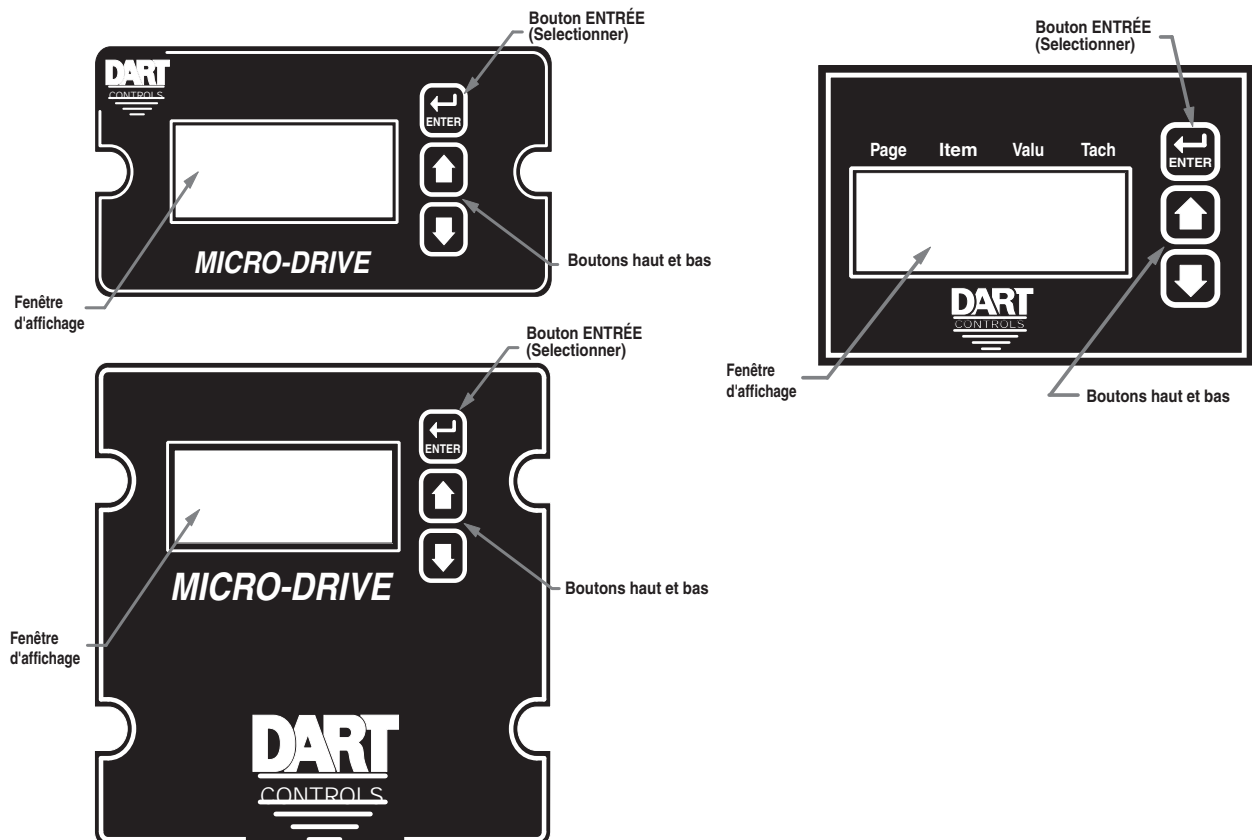
Les commandes MDP ont deux modes de fonctionnement de base : maître et esclave. Dans le Mode Maître, les commandes peuvent fonctionner de manière autonome, tandis que dans le Mode Esclave, la commande requiert un signal provenant d'une commande maître pour fonctionner. Le Mode Esclave est utilisé dans des applications qui nécessitent que le MDP suive exactement un procédé maître. Par exemple, si une usine a dix convoyeurs qui doivent être synchronisés pendant de longues durées, un ingénieur des méthodes pourrait utiliser un premier MDP comme commande maître pour le premier convoyeur et neuf autres MDP comme esclaves ou suiveurs, qui pourront recevoir leurs commandes de vitesse de la commande maître du premier convoyeur ou d'un capteur placé sur celui-ci.

Dans le Mode Maître Taux, le MDP contrôle la vitesse du moteur en suivant les impulsions du capteur sur l'arbre moteur qui sont appliquées à l'entrée signal 1 (S1). Dans ce mode, l'affichage indique le taux en unités telles que des litres par minute, des mètres par seconde et des RPM.

Dans le Mode Maître Temps, le MDP contrôle la durée du processus en suivant les impulsions du capteur sur l'arbre moteur qui sont appliquées à l'entrée signal 1 (S1). Dans ce mode, l'affichage indique des unités de temps telles que HH : MM ou MM : SS dans lesquelles HH représente les heures, MM les minutes et SS les secondes. Ce mode est le plus fréquemment utilisé dans des procédés sensibles à la durée tels que des applications de séchoir continu et de plaquage.

Dans le Mode Esclave, le MDP suit le nombre d'impulsions qui sont appliquées à l'entrée signal maître (S2). À partir de ces impulsions, il calcule le taux du procédé maître. Ce taux est ensuite multiplié par le pourcentage qui est affiché sur l'interface utilisateur. L'affichage est donné en 0,1% des unités maître. Par exemple, 675 = 67,5 pour cent de la vitesse maître. Un moteur maître tournant à 1350 RPM, ferait que l'esclave entraîne son moteur à la vitesse de 67,5% x 1350 RPM, soit 911,25 RPM. Les applications esclaves types comprennent la rotation synchronisée, les convoyeurs synchronisés et certains procédés pour matériaux en bande.

Référence visuelle



Comment changer la valeur d'un paramètre (en bref)

1. Maintenez le bouton Entrée enfoncé jusqu'à ce que le Mode Sélection Paramètre soit activé.
2. Avec les boutons Haut et Bas, sélectionnez le numéro du paramètre souhaité pour le consulter ou le modifier.
3. Appuyez sur le bouton Entrée pour changer la valeur du paramètre.
4. Avec les boutons Haut et Bas, changez la valeur du paramètre tel que désiré.
5. Appuyez sur le bouton Entrée pour sauvegarder de façon permanente les changements (retour au Mode Sélection Paramètre).
6. Sélectionnez le paramètre zéro et appuyez sur le bouton Entrée pour retourner au Mode Marche.

Utilisation de l'interface utilisateur (en détail)

Bien que l'interface utilisateur de la commande MDP soit très polyvalente, sa configuration et son utilisation sont simples. Par simple pression de quelques boutons, l'utilisateur pourra configurer plusieurs paramètres réglables. L'écran DEL a trois modes de fonctionnement de base : le Mode Marche, le Mode Sélection de Paramètre et le Mode Valeur. Chacun de ces modes possède des indicateurs visuels spécifiques qui permettent à l'utilisateur de déterminer immédiatement l'état ou le mode actif de l'interface utilisateur. **Les Modes Sélection de Paramètre et Valeur ne pourront être activés que si le cavalier de validation de programme est en position « Marche ».**

Le Mode Marche est l'affichage par défaut de l'unité lors de la mise sous tension. Le MDP sera principalement dans ce mode. Dans le Mode Marche, l'écran affiche la valeur de consigne de taux, de temps ou de pourcentage dans le format approprié défini par l'utilisateur. La commande va continuellement essayer d'entraîner le moteur à la vitesse de consigne établie. Dans ce mode d'affichage, les boutons Haut et Bas augmentent et diminuent la valeur de consigne affichée jusqu'à ce que la limite minimum ou maximum affichée soit atteinte. Selon la configuration de l'alarme, ces boutons peuvent également servir de boutons de réenclenchement d'alarme ou d'arrêt d'alarme. Voici des exemples d'affichages de taux, de temps et de modes de fonctionnement esclave : 13.60, 45:30 et 9301.

Le Mode Sélection de Paramètre peut être activé par simple pression sur le bouton Entrée et en le maintenant enfoncé pendant 3 secondes. En Mode Sélection de Paramètre, il y a un « P » à l'extrême gauche de l'écran. Le côté droit de l'affichage indique le numéro du paramètre actuellement sélectionné pour modification éventuelle. Si on appuie sur le bouton Haut ou Bas, cela va incrémenter ou diminuer le numéro du paramètre sélectionné sur l'écran. Bien que les numéros de paramètres soient affichés par ordre numérique, certains numéros ne sont pas utilisés. Ces numéros sont réservés pour des paramètres qui ne sont pas encore installés et qui ne sont donc pas affichés. Lorsque le numéro du paramètre souhaité est affiché, en appuyant sur le bouton Entrée, on passe dans le Mode Valeur. **En Mode Sélection de Paramètre, le fait d'appuyer sur le bouton Entrée alors que le paramètre 0 est sélectionné force le retour en Mode Marche de l'unité.** Voici des exemples d'affichages en Mode Sélection de Paramètre : P 1, P 12 et P 54. Voir les Paramètres logiciels pour une liste des paramètres disponibles.

Le Mode Valeur est utilisé pour modifier la valeur des paramètres sélectionnés. En Mode Valeur, les deux points entre les deuxième et troisième chiffres, clignoteront alternativement (l'un, puis l'autre) pour informer l'utilisateur que la valeur d'un paramètre est en cours de modification. En appuyant sur le bouton Haut et Bas, on augmentera ou on diminuera la valeur du paramètre sélectionné. Voir les Paramètres logiciels pour connaître la liste des valeurs et des plages autorisées. Les changements de valeur prennent immédiatement effet. Par exemple, lorsque l'on fait défiler les conditions de sortie d'alarme, le relais s'activera au moment du passage sur la sélection Toujours actif. Une fois que la valeur souhaitée s'affiche à l'écran, il faut appuyer sur le bouton Entrée une nouvelle fois pour retourner au Mode Sélection de Paramètre. La nouvelle valeur n'est pas sauvegardée dans la mémoire permanente tant que l'on n'a pas appuyé sur le bouton Entrée. Si l'on coupe l'alimentation de l'unité pendant que celle-ci est en Mode Valeur, la nouvelle valeur spécifiée pourra être perdue.

Instructions de configuration détaillées

Configuration par défaut

Les réglages de base suivants sont installés en usine :

Mode de Fonctionnement « Taux » en RPM

Impulsions par tour d'entrée signal S1 et S2 : 1

Affichage du signe décimal : désactivé

Plage d'affichage : 0 à 2 400

Plage de vitesses : 0 à 2 400 RPM

Accélération et décélération : 2 500 RPM par seconde

Mode d'entrée signal 2 (S2) : marche fractionnée à 1 000 RPM, si faible

Mode d'entrée utilisateur 1 (UIN 1) : arrêt d'urgence, si faible

Sortie d'alarme : désactivée

Réinitialisation de l'unité aux valeurs par défaut d'usine

Les réglages par défaut d'usine peuvent être facilement réinstallés selon deux méthodes qui nécessitent toutes deux que le cavalier de validation de programme soit en position « Marche ». La première méthode consiste à mettre sous tension l'unité, tout en appuyant simultanément sur les boutons Entrée et Bas pendant 3 secondes. La seconde consiste à mettre la valeur du paramètre 95 à 5.

JP1 (Cavalier de validation de programme)

Le cavalier JP1 est situé sous le pare-poussière à l'extrémité arrière de la carte supérieure. Lorsque le cavalier est mis en position « Arrêt », toutes les fonctions de programmation sont hors d'accès pour l'utilisateur par le panneau frontal. Lorsque le cavalier est en position « Marche », les paramètres de programmation peuvent être changés. L'unité est expédiée de l'usine avec JP1 en position « Marche ».

Paramètres logiciels

Paramètre	Description	Plage de valeurs (unités)	Défaut d'usine	Réglages utilisateur
0	La sélection de ce paramètre renvoie au Mode Marche	s.o.	s.o.	
Paramètres lecture seule				
1	N° du modèle	10 – Unité MD10P 11 – Unité MD3P	10 ou 11	
2	Version logicielle	1 – 9999	s.o.	
3	Version du matériel	1 – 9999	s.o.	
4	Numéro de série – Principal (réservé)	s.o.	s.o.	
5	Numéro de série – Secondaire (réservé)	s.o.	s.o.	
Installation générale				
10	Mode de fonctionnement	1 – Mode Taux 2 – Mode Temps 3 – Mode Esclave	1	
11	Luminosité de l'affichage	0 – 31 (Faible – Forte)	20	
13	Position du signe décimal	0 – SD désactivé (XXXX) 1 – X.XXX 2 – XX.XX 3 – XXX.X 4 – XXXX.	0	
14	Mode clavier	1 – Linéaire, vitesse constante 2 – Non linéaire, accélération	2	
15	Temporisation de défilement du clavier	0 – 30 (rapide – lent)	10	
16	Configuration d'entrée S1 / S2, bord d'attaque et pré étalonnage	0 – S1 croît / 1 S2 croît / 1 1 – S1 décroît / 1 S2 croît / 1 2 – S1 décroît / 4 S2 croît / 1 3 – S1 décroît / 16 S2 croît / 1 4 – S1 croît / 1 S2 décroît / 1 5 – S1 décroît / 1 S2 décroît / 1 6 – S1 décroît / 4 S2 décroît / 1 7 – S1 décroît / 16 S2 décroît / 1 8 – S1 croît / 1 S2 décroît / 4 9 – S1 décroît / 1 S2 décroît / 4 10 – S1 décroît / 4 S2 décroît / 4 11 – S1 décroît / 16 S2 décroît / 4 12 – S1 croît / 1 S2 décroît / 16 13 – S1 décroît / 1 S2 décroît / 16 14 – S1 décroît / 4 S2 décroît / 16 15 – S1 décroît / 16 S2 décroît / 16	0	
18	Mode à la mise sous tension	1 – Affichage zéro par défaut 2 – Valeur de mise sous tension par défaut 3 – Valeur de fonctionnement précédent	3	
19	Valeur de mise sous tension	0 – 9999 (Unités d'affichage)	0	
Paramétrage d'affichage et de boucle de régulation				
20	Affichage minimum	0 – 9998 (Unités d'affichage)	0	
21	Affichage maximum	1 – 9999 (Unités d'affichage)	2400	
23	Réglage d'accélération	1 – 9999 (Unités d'affichage)	2500	
24	Réglage de décélération	1 – 9999 (Unités d'affichage)	2500	
26	Gain proportionnel	0 – 9999 (non spécifique à une unité)	0	
27	Gain intégral	1 – 9999 (non spécifique à une unité)	5000	
29	Limite de cumul des impulsions	2 – 5000 (non spécifique à une unité)	15	
Réglage de l'entrée signal n° 1 (S1)				
30	Affichage de référence pour S1	0 – 9999 (Unités d'affichage)	2400	
31	Vitesse de référence en RPM pour S1	0 – 9999 (RPM)	2400	
32	Impulsions par tour pour S1	1 – 2048 (IPT)	1	
33	Zone morte pour S1 (uniquement en mode esclave)	0 – 1000 (Secondes)	0	

Paramètres logiciels (suite)

Paramètre	Description	Plage de valeurs (unités)	Défauts d'usine	Réglage Utilisateur
Réglage de l'entrée signal N°2 (S2)				
35	Configuration de l'entrée S2	1 – Désactivé (Mode esclave) 2 – Arrêt d'urgence quand S2 fort 3 – Arrêt d'urgence quand S2 faible 4 – Inhibition lorsque S2 fort 5 – Inhibition lorsque S2 faible 6 – Marche fractionnée quand S2 fort 7 – Marche fractionnée quand S2 faible	7	
36	Valeur de consigne S2	1 – 9999 (Unités d'affichage)	1000	
37	Impulsions par tour S2	1 – 2048 (PPR)	1	
38	Double-clic du panneau avant	0 – Inhibit matériel 1 – Double-clic bascule Inhibit	0	
Paramétrage entrée utilisateur N°1 (UIN1)				
40	Configuration de l'entrée UIN1	1 – Désactivé 2 – Arrêt d'urgence quand UIN1 fort 3 – Arrêt d'urgence quand UIN1 faible 4 – Inhibition lorsque UIN1 fort 5 – Inhibition lorsque UIN1 faible 6 – Marche fractionnée quand UIN1 fort 7 – Marche fractionnée quand UIN1 faible	3	
41	Valeur de consigne UIN1 pour marche fractionnée		1000	
Configuration de la sortie d'alarme				
50	Conditions d'activation	0 – Toujours désactivé 1 – Toujours activé 2 – Actif quand la limite supérieure est dépassée vers le haut 3 – Actif quand la limite inférieure est dépassée vers le bas 4 – Actif à l'intérieur de la plage 5 – Actif à l'extérieur de la plage 6 – Actif quand la valeur consigne = 0 7 – Actif quand il n'y a aucune impulsions de capteur détectées 8 – Actif quand la conduction est au maximum	0	
51	Type de sortie et Mode de réinitialisation	1 – Constante & Réinitial. automatique 2 – Constante & Réinitial. manuelle 3 – Pulsée & Réinitialisat. automatique 4 – Pulsée & Réinitialisation manuelle	1	
52	Réinitialiser la configuration	1 – Pas d'extinction/réinitial. sur touche 2 – Pas d'extinction/réinitial. sur S2 fort 3 – Pas d'extinction/réinit. sur S2 faible 4 – Extinction/réinitialiser sur touche 5 – Extinction/réinitialiser sur S2 fort 6 – Extinction/réinitialiser sur S2 faible	1	
53	Affichage clignote si alarme active	0 – Clignotement d'alarme désactivé 1 – Clignotement d'alarme activé	0	
54	Durée pour impulsion d'alarme active	1 – 3600 (secondes)	1	
55	Durée pour impulsion d'alarme active	1 – 3600 (secondes)	1	
56	Comptage des impulsions	0 – 9999 (impulsions)	0	
57	Limite inférieure	0 – 9999 (unités d'affichage)	0	
58	Limite supérieure	0 – 9999 (unités d'affichage)	9999	
Commandes de mémorisation des paramètres				
95	Restaurer les valeurs par défaut d'usine des paramètres	0 – Ne rien faire et sortir 5 – Restaurer valeurs par défaut d'usine	0	
98	Sauvegarder dans la zone par défaut de l'utilisateur	0 – Ne rien faire et sortir 5 – Sauvegarder le paramètre	0	
99	Restaurer depuis la zone par défaut de l'utilisateur	0 – Ne rien faire et sortir 1 – Restaurer les paramètres	0	

Description des paramètres

Paramètre 0 – Sortir pour retourner en Mode Marche

Lorsque le paramètre 0 est sélectionné dans le Mode Sélection Paramètre, l'unité va retourner au Mode Marche et afficher la valeur de fonctionnement. Ce paramètre sera choisi à la fin de la modification des paramètres.

Paramètre 1 – Numéro de modèle (lecture seule)

C'est un numéro qui représente le numéro de modèle de base du produit. Les codes modèles pour le MD10P et le MD3P sont respectivement 10 et 11.

Paramètre 2 – Version logiciel (lecture seule)

La version logiciel est un code qui identifie la version du logiciel de l'unité.

Paramètre 3 – Version matériel (lecture seule)

La version matériel est un code d'identification du matériel utilisé pour construire l'unité.

Paramètres 4 & 5 – Numéro de série, Principal et Secondaire (lecture seule)

Ces paramètres sont réservés à une utilisation ultérieure comme numéro de série électronique. Ils sont spécifiques à chaque unité fabriquée.

Paramètre 10 – Mode de Fonctionnement

Ce paramètre définit le mode de fonctionnement pour l'ensemble de l'unité. Il existe deux modes de fonctionnement de base : maître et esclave. En Mode Maître, l'unité commande la charge en utilisant soit les unités de temps, soit les unités de taux. En Mode Esclave, l'unité commande la charge en pourcentage du taux maître. Les modes suivants sont disponibles pour le MDP :

Mode 1 – Mode Maître, Taux

En Mode Taux, le MDP affiche des unités de taux définies par l'utilisateur comme : tours par minute, litres par heure ou mètres par seconde. Exemples dans les applications.

Mode 2 – Mode Maître, Temps

En Mode Temps, le MDP affiche des unités de temps en format AA:BB. Par défaut, AA:BB représente des minutes (AA) et des secondes (BB). En option, il peut être configuré pour représenter des heures (AA) et des minutes (BB) ou d'autres unités définies par l'utilisateur avec un rapport de 1/60. Lors de la définition des paramètres configurés en unités d'affichage, la valeur programmée sera déterminée par la formule $(AA * 60) + BB$. Dans les affichages HH:MM, cette valeur est le nombre total de minutes et dans les affichages MM:SS, elle représente le nombre total de secondes. Des exemples sont donnés dans les applications.

Mode 3 – Mode Esclave

En Mode Esclave, le MDP affiche des unités en pourcentage où 1000 = 100,0 % du taux maître. Par exemple, si l'écran indique 985, 98.5 ou 9.85, le MDP va chercher à fonctionner à 98,5 % exactement du taux maître. Les paramètres sont toujours entrés en ignorant la position du signe décimal.

Paramètre 11 – Luminosité d'écran

Ce paramètre règle la luminosité des chiffres DEL du panneau frontal de l'unité. Les valeurs de 0 – 31 correspondent au changement graduel allant de très faible à très forte. Ce paramètre est très utile lorsque le MDP est installé dans le même panneau que d'autres appareils équipés d'écrans à DEL et qu'une luminosité d'écran uniforme est nécessaire. Il faut simplement régler le MDP en fonction de son environnement.

Paramètre 13 – Position du signe décimal (SD)

Ceci détermine le format d'affichage de la position du signe décimal. Ce paramètre n'affecte pas la valeur d'entrée des autres paramètres. Par exemple, si l'utilisateur souhaite afficher 10.00 à 300 RPM, le paramètre 30 sera réglé à 1000, le paramètre 31 à 300 et le paramètre 13 à 2.

Mode 0: Fixe XXXX

Mode 1: Fixe X.XXX

Mode 2: Fixe XX.XX

Mode 3: Fixe XXX.X

Mode 4: Fixe XXXX.

Paramètre 14 – Mode Clavier

Ce paramètre sélectionne le mode de fonctionnement des boutons du panneau frontal. Dans certaines applications, la modification de la vitesse de défilement donne à l'utilisateur un meilleur contrôle pour entrer les paramètres. Les paramètres 14 et 15 n'affectent que les boutons Haut et Bas lorsque l'interface utilisateur est en Mode Marche et ces paramètres s'appliquent également aux boutons Haut et Bas distants qui sont reliés à travers la carte en option –1.

Mode 1 : Linéaire, vitesse constante

En mode linéaire, on maintiendra le bouton Haut ou le bouton Bas enfoncé, pour que l'écran change de valeur de façon continue et dans la direction voulue jusqu'à l'affichage minimum ou maximum. Les valeurs affichées vont défiler à une vitesse constante, définie par le paramètre 15.

Mode 2 : Non linéaire, accélération

En mode non-linéaire, on maintiendra le bouton Haut ou le bouton Bas enfoncé pour que l'écran change de valeur de façon continue dans la direction voulue jusqu'à l'affichage minimum ou maximum. Les valeurs affichées vont d'abord défiler à faible vitesse puis augmenter jusqu'à ce que la vitesse maximum de défilement soit atteinte. La vitesse de défilement initiale est définie par le paramètre 15.

Paramètre 15 – Mode Défilement Clavier

Ce paramètre sélectionne la vitesse de défilement pour les boutons du panneau frontal. La fonction de ce paramètre varie légèrement selon le mode du clavier. Voir le paramètre 14 pour plus de détails.

Paramètre 16 - Configuration d'entrée S1 / S2, bord d'attaque et pré étalonnage

Ce paramètre définit la manière dont le MDP traite les entrées de signal S1 et S2. Il précise le bord d'attaque du signal qui est utilisé pour les mesures ainsi que la valeur des diviseurs de fréquence ou des pré étalonneurs internes. Les modes avec pré étalonneurs supérieurs à 1 ne devraient être utilisés que si le taux d'impulsions sur S1 et S2 dépasse le taux d'impulsions natif maximum de l'unité (voir les caractéristiques techniques) ; sinon, la boucle de régulation peut devenir molle et inutilement imprécise. Utiliser le tableau suivant pour configurer ce paramètre. À titre d'exemple, supposez qu'une application nécessite des taux d'impulsions d'entrée de 120 000 impulsions par minute sur S1 et de 35 000 impulsions par minute sur S2. Selon les caractéristiques électriques, l'unité ne peut accepter que 50 000 impulsions par minute sur chacune des deux entrées S1 et S2. Les pré étalonneurs S1 et S2 devront donc être sélectionnés comme en décroissant / 4 et croissant / 1. Dans ce cas, le paramètre 16 sera réglé à 2.

Tableau de sélection		S1 bord d'attaque et pré étalonnage			
		Croissant / 1	Décroissant / 1	Décroissant / 4	Décroissant / 16
S2 bord d'attaque et pré étalonnage	Croissant / 1	0	1	2	3
	Décroissant / 1	4	5	6	7
	Décroissant / 4	8	9	10	11
	Décroissant / 16	12	13	14	15

Paramètre 18 – Mode de Mise sous Tension

Ce paramètre définit le mode qui détermine la valeur de fonctionnement par défaut lorsque le MDP est mis sous tension.

Mode 1 : Zéro par défaut

Dans ce mode, l'unité sera mise par défaut à zéro (unités avec affichage).

Mode 2 : Valeur de mise sous tension par défaut

Dans ce mode, l'unité sera mise par défaut à la valeur de mise sous tension, soit le paramètre 19.

Mode 3 : Valeur du fonctionnement antérieur par défaut

Dans ce mode, l'unité sera mise par défaut à la valeur de fonctionnement qu'elle avait avant la coupure de l'alimentation. *Une valeur de fonctionnement antérieure devra avoir été active pendant au moins 3 secondes pour être rappelée et réactivée après l'arrêt et la remise en marche de l'unité.*

Paramètre 19 – Valeur de mise sous tension

Lorsque le Mode Mise sous Tension est réglé sur 2, ce paramètre désigne la valeur affichée par défaut lors de la mise sous tension des unités.

Paramètre 20 – Affichage minimum

Ce paramètre définit la valeur la plus faible de la plage d'affichage. C'est la valeur qui limite vers le bas le défilement de l'affichage en Mode Marche. En modes temps et taux, cette valeur est affichée sur les unités d'affichage. En Mode Esclave, c'est un pourcentage du taux maître. Par exemple, en Mode Esclave, 1250 représente 125,0 % du taux maître.

Paramètre 21 – Affichage maximum

Ce paramètre définit la valeur la plus élevée de la plage d'affichage. C'est la valeur qui limite vers le haut le défilement de l'affichage en Mode Marche. En modes temps et taux, cette valeur est affichée sur les unités d'affichage. En Mode Esclave, c'est un pourcentage du taux maître. Par exemple, en Mode Esclave, 150 représente 15,0 % du taux maître.

Paramètre 23 – Réglage de l'accélération

Ce paramètre détermine l'accélération avec laquelle le MDP va chercher à atteindre la valeur de consigne. Ce paramètre est réglé en changements d'unités d'affichage par seconde telles que, des RPM, des l/m ou des m/s. En Mode Esclave, ce paramètre est réglé en unités RPM.

Paramètre 24 – Réglage de la décélération

Ce paramètre détermine la décélération avec laquelle le MDP va chercher à atteindre la valeur de consigne. Ce paramètre est réglé en changements d'unités d'affichage par seconde telles que, des RPM, des l/m ou des m/s. En Mode Esclave, ce paramètre est réglé en unités RPM.

Paramètre 26 – Gain proportionnel (P)

Le gain proportionnel est le premier des deux paramètres définissant la réactivité (rapidité de réponse) de la commande aux changements de charges. Comme les MD10P et les MD3P sont des systèmes de commande à cumul d'impulsions, le gain P répond différemment que le même paramètre dans une régulation PID vitesse-forme standard. Plus le Gain P est élevé, plus sera agressive la réponse de l'unité à un changement de charge. Voir la partie Réglage de la régulation PI du manuel pour plus de renseignements.

Paramètre 27 – Gain intégral (I)

Le gain intégral est le deuxième des deux paramètres définissant la réactivité (rapidité de réponse) de la commande aux changements de charges. Plus le gain I est élevé et plus sera agressive la réponse de l'unité à un changement de charge. Pour utiliser des capteurs ou des encodeurs à IPT (impulsions par tour) élevés, il sera nécessaire de réduire le gain I pour éviter des oscillations et des instabilités indésirables. Voir la partie Réglage de la régulation PI du manuel pour plus de renseignements.

Paramètre 29 – Limite de cumul d'impulsions

Ce paramètre définit la limite supérieure du nombre d'impulsions que la commande va cumuler avant de les négliger intentionnellement et de limiter ainsi la précision à long terme. Comme les MD10P et MD3P sont des commandes à cumul d'impulsions, ils peuvent suivre avec précision un module maître (en mode esclave) impulsion par impulsion. Ils peuvent aussi fonctionner pendant des jours, des semaines et des mois et rester parfaitement synchronisés avec une commande ou un procédé maître. Malheureusement, cette fonctionnalité a un coût.

Par défaut, si le signal du capteur principal est perdu pour être ensuite repris, l'unité peut fonctionner à grande vitesse pendant de nombreuses secondes pour essayer de rattraper les impulsions perdues. Une fois ces impulsions rattrapées, il revient à un fonctionnement normal. Dans certaines applications, ceci peut poser un problème. Dans ce cas, la limite de cumul d'impulsions (paramètre 29) pourra être abaissée pour limiter le nombre maximum d'impulsions dont la commande se souvient.

Ce paramètre peut être fixé à une valeur allant de 0 à 9999 ou 0 signifie aucun cumul et 9999 un cumul maximal. À mesure que cette valeur approche de zéro, l'unité va graduellement perdre sa capacité à faire tourner le moteur et éventuellement l'arrêter totalement. Il peut être nécessaire d'augmenter la valeur de ce paramètre pour les applications qui requièrent une précision plus élevée à long terme.

Paramètre 30 – Affichage de référence à l'entrée de signal 1 (S1)

C'est le chiffre à afficher lorsque la vitesse moteur de référence spécifiée par l'utilisateur est atteinte. En mode taux, cette valeur représente des unités de taux comme des mètres, des grammes ou des tours par unité de temps. En mode temps, cette valeur représente le temps de référence mesuré en secondes ou en minutes. Si l'affichage souhaité est HH:MM, toutes les valeurs devront être entrées en minutes. Si l'affichage souhaité est MM:SS, toutes les valeurs devront être entrées en secondes. En Mode Esclave, cette valeur est le pourcentage du taux maître en unités de 0,1%. Par exemple, 1000 équivaut à 100%.

Paramètre 31 – Vitesse (RPM) de référence de l'entrée de signal 1 (S1)

C'est la vitesse de rotation de référence pour laquelle la valeur d'affichage de référence doit apparaître. En modes taux et temps, cette valeur représente le nombre de RPM de l'encodeur auquel correspond l'affichage de référence. En Mode Esclave, cette valeur n'est pas utilisée.

Paramètre 32 – Impulsions par tour à l'entrée de signal 1 (S1)

C'est le nombre d'impulsions par tour pour l'entrée de signal 1 (S1). Le MDP accepte les capteurs et les encodeurs qui délivrent de 1 à 2048 impulsions par tour.

Paramètre 33 – Zone morte dans l'entrée signal 1 (S1) (Mode Esclave uniquement)

En Mode Esclave, il est souvent souhaitable pour l'unité esclave de chercher à compenser le petit différentiel d'impulsion capteur qui existe entre les positions du maître et de l'esclave. Dans certaines applications, il n'est pas nécessaire pour l'esclave de chercher lentement la position d'impulsion exacte du maître, lorsque le taux de ce dernier est à zéro. En ce cas, le paramètre de zone morte peut être défini supérieur à zéro pour obliger le MDP à arrêter le pilotage du moteur à vitesse lente et à l'inhiber jusqu'à ce que le maître recommence à tourner. À ce moment, l'esclave compensera automatiquement le différentiel d'impulsion lorsqu'il commencera à tourner. La zone morte est désactivée en mettant ce paramètre à zéro secondes.

Paramètre 35 – Configuration d'entrée de l'entrée signal 2 (S2)

Ce paramètre détermine le mode de fonctionnement de l'entrée de signal 2 (S2).

Mode 1 : Désactivé (Mode Esclave)

L'entrée S2 est inactive. C'est le paramétrage requis pour le Mode Esclave.

Mode 2 : Arrêt d'urgence lorsque S2 est élevée (non reliée au commun)

Lorsque l'entrée S2 a une valeur électrique élevée (+5V) ou qu'elle est débranchée, le MDP se met en mode d'arrêt d'urgence. Dans ce mode, la sortie induit sera immédiatement coupée. Lorsque l'entrée S2 revient à une valeur électrique faible ou qu'elle est reliée au commun de l'unité, la sortie redevient active.

Mode 3 : Arrêt d'urgence lorsque S2 est faible (reliée au commun)

Lorsque l'entrée S2 a une valeur électrique faible ou qu'elle est reliée au commun de l'unité, le MDP se met en mode d'arrêt d'urgence. Dans ce mode, la sortie induit sera immédiatement coupée. Lorsque l'entrée S2 revient à une valeur électrique élevée (+5V) ou qu'elle est débranchée, la sortie redevient active.

Mode 4 : Inhibition lorsque S2 est élevée (non reliée au commun)

Lorsque l'entrée S2 a une valeur électrique élevée (+5V) ou qu'elle est débranchée, le MDP se met en mode inhibition. En mode inhibition, la sortie d'induit va diminuer selon le paramètre de décélération jusqu'à ce que la sortie zéro soit atteinte. Lorsque l'entrée S2 revient à une valeur électrique faible ou qu'elle est reliée au commun de l'unité, la sortie va commencer à accélérer jusqu'à atteindre la valeur de fonctionnement antérieure.

Mode 5 : Inhibition lorsque S2 est faible (reliée au commun)

Lorsque l'entrée S2 a une valeur électrique faible ou qu'elle est reliée au commun de l'unité, le MDP se met en mode inhibition. En mode inhibition, la sortie d'induit va diminuer selon le paramètre de décélération jusqu'à ce que la sortie zéro soit atteinte. Lorsque l'entrée S2 revient à une valeur électrique élevée (+5V) ou qu'elle est débranchée, la sortie va commencer à accélérer jusqu'à atteindre la valeur de fonctionnement antérieure.

Mode 6 : Marche fractionnée lorsque S2 est élevée (non reliée au commun)

Lorsque l'entrée S2 a une valeur électrique élevée (+5V) ou qu'elle est débranchée, le MDP se met en Mode Marche Fractionnée. En ce mode, l'écran affichera immédiatement la valeur de consigne programmée pour la marche fractionnée, le paramètre 36. L'unité commencera à accélérer ou à décélérer vers la valeur de consigne de marche fractionnée, selon le taux d'accélération ou de décélération configuré. Lorsque l'entrée S2 revient à une valeur électrique faible ou qu'elle est reliée au commun de l'unité, la sortie va commencer à accélérer ou à décélérer jusqu'à atteindre la valeur de fonctionnement antérieure. En Mode Esclave, l'unité fonctionnera comme son propre maître. Une application pourra ainsi fonctionner en marche fractionnée en supplantant un maître arrêté.

Mode 7 : Marche fractionnée lorsque S2 est faible (reliée au commun)

Lorsque l'entrée S2 a une valeur électrique faible ou qu'elle est reliée au commun de l'unité, le MDP se met en Mode Marche Fractionnée. Dans ce mode, l'écran affichera immédiatement la valeur de consigne programmée pour la marche fractionnée, le paramètre 36. L'unité commencera à accélérer ou à décélérer vers la valeur de consigne de marche fractionnée, selon le taux d'accélération ou de décélération configuré. Lorsque l'entrée S2 revient à une valeur électrique élevée (+5V) ou qu'elle est débranchée, la sortie va commencer à accélérer ou à décélérer jusqu'à atteindre la valeur de fonctionnement antérieure. En Mode Esclave, l'unité fonctionnera comme son propre maître. Une application pourra ainsi fonctionner en marche fractionnée en supplantant un maître arrêté.

Paramètre 36 – Valeur de consigne de l'entrée signal 2 (S2)

Lorsque la configuration S2, paramètre 35, est réglée sur l'un des modes de marche fractionnée, ce paramètre définit la valeur de consigne de marche fractionnée dans les unités d'affichage. Si le mode de fonctionnement MDP est paramétré pour le mode esclave, ce paramètre est mis en unités de vitesse de rotation. Cela permet qu'une commande esclave soit mise en marche fractionnée lorsque le maître est arrêté.

Paramètre 37 – Impulsions par tour à l'entrée signal 2 (S2)

C'est le nombre d'impulsions par tour pour l'entrée signal 2 (S2). Le MDP accepte les capteurs et les encodeurs qui délivrent de 1 à 2048 impulsions par tour.

Paramètre 38 – Mode Double-clic du panneau frontal

Le paramétrage du Paramètre 35 et/ou du Paramètre 40, lorsqu'il est configuré sur 1, particulièrement les Modes 4 et 5 (Inhibit), n'a pas d'effet ; au lieu de cela, cliquer rapidement et à deux reprises sur le bouton ENTER (« Double-clic ») fera BASCULER l'ASP10 en mode « Inhibit » ou hors de ce mode. En mode Double-clic Inhibit, le moteur ralentira jusqu'à son arrêt et l'écran affichera 4 tirets « — ». Double-cliquer à nouveau fera accélérer le moteur jusqu'à la vitesse/délai cible et l'écran reviendra à sa condition normale. La fonction Inhibit, lorsqu'elle est configurée sur une valeur de Zéro, est contrôlée exclusivement par le niveau de signal de l'entrée S2 et/ou de la ou des entrées UIN1, et le paramétrage des Paramètres 35 et/ou 40, ainsi que la fonction « Double-clic », n'auront pas d'effet. Notez aussi que le mode Double-clic Inhibit n'est reconnu qu'en mode « Run » (Exécution).

Paramètre 40 – Configuration de l'entrée utilisateur 1 (UIN1)

Ce paramètre détermine le mode de fonctionnement de l'entrée utilisateur 1 (UIN1).

Mode 1 : Désactivée.

L'entrée UIN1 est inactive.

Mode 2 : Arrêt d'urgence lorsque UIN1 est élevée (non reliée au commun)

Lorsque l'entrée UIN1 a une valeur électrique élevée (+5V) ou qu'elle est débranchée, le MDP se met en mode d'arrêt d'urgence. Dans ce mode, la sortie induit sera immédiatement coupée. Lorsque l'entrée UIN1 revient à une valeur électrique faible ou qu'elle est reliée au commun de l'unité, la sortie redevient active.

Mode 3 : Arrêt d'urgence lorsque UIN1 est faible (reliée au commun)

Lorsque l'entrée UIN1 a une valeur électrique faible ou qu'elle est reliée au commun de l'unité, le MDP se met en mode d'arrêt d'urgence. Dans ce mode, la sortie induit sera immédiatement coupée. Lorsque l'entrée UIN1 revient à une valeur électrique élevée (+5V) ou qu'elle est débranchée, la sortie redevient active.

Mode 4 : Inhibition lorsque UIN1 est élevée (non reliée au commun)

Lorsque l'entrée UIN1 a une valeur électrique élevée (+5V) ou qu'elle est débranchée, le MDP se met en Mode Inhibition. Dans ce mode, la sortie d'induit va diminuer selon le paramètre de décélération jusqu'à ce que la sortie zéro soit atteinte. Lorsque l'entrée UIN1 revient à une valeur électrique faible ou qu'elle est reliée au commun de l'unité, la sortie va commencer à accélérer jusqu'à atteindre la valeur de fonctionnement antérieure.

Mode 5 : Inhibition lorsque UIN1 est faible (reliée au commun)

Lorsque l'entrée UIN1 a une valeur électrique faible ou qu'elle est reliée au commun de l'unité, le MDP se met en Mode Inhibition. Dans ce mode, la sortie d'induit va diminuer selon le paramètre de décélération jusqu'à ce que la sortie zéro soit atteinte. Lorsque l'entrée UIN1 revient à une valeur électrique élevée (+5V) ou qu'elle est débranchée, la sortie va commencer à accélérer jusqu'à atteindre la valeur de fonctionnement antérieure.

Mode 6 : Marche fractionnée lorsque UIN1 est élevée (non reliée au commun)

Lorsque l'entrée UIN1 a une valeur électrique élevée (+5V) ou qu'elle est débranchée, le MDP se met en Mode Marche Fractionnée. Dans ce mode, l'écran affichera immédiatement la valeur de consigne programmée pour la marche fractionnée, le paramètre 41. L'unité commencera à accélérer ou à décélérer vers la valeur de consigne de marche fractionnée, selon le taux d'accélération ou de décélération configuré. Lorsque l'entrée UIN1 revient à une valeur électrique faible ou qu'elle est reliée au commun de l'unité, la sortie va commencer à accélérer ou à décélérer jusqu'à atteindre la valeur de fonctionnement antérieure. En Mode Esclave, l'unité fonctionnera comme son propre maître. Une application pourra ainsi fonctionner en marche fractionnée en supplantant un maître arrêté.

Mode 7 : Marche fractionnée lorsque UIN1 est faible (reliée au commun)

Lorsque l'entrée UIN1 a une valeur électrique faible ou qu'elle est reliée au commun de l'unité, le MDP se met en Mode Marche Fractionnée. Dans ce mode, l'écran affichera immédiatement la valeur de consigne programmée pour la marche fractionnée, le paramètre 41. L'unité commencera à accélérer ou à décélérer vers la valeur de consigne de marche fractionnée, selon le taux d'accélération ou de décélération configuré. Lorsque l'entrée UIN1 revient à une valeur électrique élevée (+5V) ou qu'elle est débranchée, la sortie va commencer à accélérer ou à décélérer jusqu'à atteindre la valeur de fonctionnement antérieure. En Mode Esclave, l'unité fonctionnera comme son propre maître. Une application pourra ainsi fonctionner en marche fractionnée en supplantant un maître arrêté.

Paramètre 41 – Valeur de consigne de l'entrée utilisateur 1 (UIN1)

Lorsque la configuration UIN1, paramètre 40, est réglée sur l'un des modes de marche fractionnée, ce paramètre définit la valeur de consigne de marche fractionnée dans les unités d'affichage. Si le mode de fonctionnement MDP est paramétré pour le mode esclave, ce paramètre est mis en unités de vitesse de rotation. Cela permet qu'une commande esclave soit mise en marche fractionnée lorsque le maître est arrêté.

Paramètre 50 – Conditions d'alarme 1

Ceci définit les conditions qui provoqueront l'activation de la sortie d'alarme 1.

Mode 0 : Toujours inactive

La sortie d'alarme restera inactive. Dans cet état, les contacts NC et C seront reliés électriquement en interne.

Mode 1 : Toujours active (lorsque l'alimentation est branchée)

La sortie d'alarme devient active lorsque l'alimentation est branchée sur l'unité. Dans cet état, les contacts NO et C seront reliés électriquement en interne.

Mode 2 : Active lorsque la valeur affichée dépasse la valeur limite

La sortie d'alarme s'active lorsque la valeur affichée dépasse la limite supérieure définie, paramètre 48.

Mode 3 : Active lorsque la valeur affichée est inférieure à la valeur limite

La sortie d'alarme s'active lorsque la valeur affichée est en dessous de la limite inférieure définie, paramètre 47.

Mode 4 : Active lorsque la valeur affichée est à l'intérieur de la plage

La sortie d'alarme s'active lorsque la valeur affichée est supérieure ou égale à la limite inférieure définie et inférieure ou égale à la limite supérieure définie.

Mode 5 : Active lorsque la valeur affichée est à l'extérieur de la plage

La sortie d'alarme s'active lorsque la valeur affichée est inférieure à la limite inférieure définie ou supérieure à la limite supérieure définie.

Mode 6 : Active lorsque la valeur de consigne (affichage) = zéro

La sortie d'alarme s'active lorsque la valeur affichée est égale à zéro. Cela permet à la sortie d'alarme d'être utilisée pour actionner un frein mécanique afin de réduire le temps d'arrêt ou pour fournir un couple de retenue à vitesse nulle.

Mode 7: Active lorsque le signal de capteur principal (S1) est calé ou s'est arrêté

La sortie d'alarme s'active lorsque l'entrée signal capteur principal (S1) est calée ou s'est arrêtée. La limite inférieure de l'alarme (Paramètre 57) est utilisée pour spécifier le délai d'arrêt de calage en secondes en présence d'une condition de calage de moteur. Quand on utilise la limite inférieure pour établir un délai d'arrêt de calage, une commande d'inhibition ou une commande de vitesse zéro ne sera pas reconnue comme étant une condition de calage. Le capteur est considéré comme étant calé si le délai d'arrêt s'écoule sans impulsion en provenance du capteur alors que la valeur de consigne (affichée) n'a pas reçu de commande d'inhibition. La limite supérieure de l'alarme (Paramètre 58) est utilisée pour spécifier une condition de vitesse zéro ou un délai d'arrêt en secondes. Quand on utilise la limite supérieure pour établir une vitesse zéro ou un délai d'arrêt, une commande d'inhibition, une commande de vitesse zéro ou une condition de calage de moteur seront tous reconnus comme étant une condition de délai d'arrêt. Le capteur est considéré comme étant arrêté une fois que le délai d'arrêt s'écoule sans impulsion en provenance du capteur.

Remarque: Quand on utilise la limite supérieure pour établir un délai d'arrêt, la limite inférieure doit être établie à zéro.

Mode 8 : Active lorsque l'entraînement se fait avec un angle de conduction maximum

La sortie d'alarme s'active lorsque la commande entraîne le moteur à l'angle de conduction maximum. On peut l'utiliser pour déterminer dans le cas où la commande s'emballerait à cause de la rupture d'un fil de signal de capteur et que la détection d'arrêt n'est pas souhaitée.

Paramètre 51 – Configuration du type de sortie et de la méthode de réinitialisation de l'alarme 1

Ce paramètre configure le mode de sortie et la méthode de réinitialisation de la sortie d'alarme.

Mode 1 : Continue et réinitialisation automatique

Dans ce mode, la sortie d'alarme va rester active jusqu'à ce que la condition d'alarme cesse d'exister. L'alarme va automatiquement se réinitialiser lorsque les conditions redeviendront normales.

Mode 2 : Continue et réinitialisation manuelle

Dans ce mode, la sortie d'alarme va rester active jusqu'à ce que l'alarme soit réinitialisée manuellement. Voir le paramètre 52 pour plus de détails.

Mode 3 : Intermittente et réinitialisation automatique

Dans ce mode, la sortie d'alarme sera intermittente jusqu'à ce que la condition d'alarme cesse d'exister. Les modes intermittents sont communément utilisés pour des alarmes audibles lorsqu'une sortie continue est considérée comme inopportune. L'alarme va automatiquement se réinitialiser lorsque les conditions redeviennent normales.

Mode 4 : Intermittente et réinitialisation manuelle

Dans ce mode, la sortie d'alarme va être intermittente jusqu'à ce que l'alarme soit réinitialisée manuellement. Voir le paramètre 52 pour des informations sur la réinitialisation. Les modes intermittents sont communément utilisés pour des alarmes audibles lorsqu'une sortie continue est considérée comme inopportune.

Paramètre 52 – Configuration de réinitialisation de l'alarme 1

Ce paramètre détermine les actions à entreprendre pour que l'alarme active soit arrêtée ou réinitialisée.

Mode 1 : Pas d'arrêt, réinitialisation par pression sur une touche quelconque

Dans ce mode, une alarme active ne peut être arrêtée. Lorsque la condition d'alarme aura cessé d'exister, la pression sur n'importe quel bouton de l'interface utilisateur provoquera une réinitialisation manuelle.

Mode 2 : Pas d'arrêt, réinitialisation sur entrée S2 élevée (non reliée au commun)

Semblable au Mode 1. - Une fois que la condition d'alarme aura cessé, le fait de mettre l'entrée S2 à une valeur élevée (+5V) ou de la débrancher provoquera une réinitialisation manuelle.

Mode 3 : Pas d'arrêt, réinitialisation sur entrée S2 faible (reliée au commun)

Semblable au Mode 1. - Une fois que la condition d'alarme aura cessé, le fait de mettre l'entrée S2 à une valeur basse (COM) ou de la relier au commun provoquera une réinitialisation manuelle.

Mode 4 : Arrêt activé, réinitialisation par pression sur un bouton quelconque

Lorsque les conditions d'une alarme active persistent, le fait d'appuyer sur un bouton quelconque de l'interface utilisateur rendra l'alarme silencieuse ou la désactivera mais il n'y aura pas de réinitialisation. Pour débloquer l'alarme, une seconde tentative de réinitialisation devra être faite après que la condition d'alarme aura cessé d'exister.

Mode 5 : Arrêt activé, réinitialisation sur entrée S2 élevée (non reliée au commun)

Semblable au Mode 4. – Le fait de mettre S2 à une valeur élevée (+5V) ou de la débrancher provoquera l'arrêt de l'alarme ou sa réinitialisation selon les conditions d'alarme en cours.

Mode 6 : Arrêt activé, réinitialisation sur entrée S2 faible (reliée au commun)

Semblable au Mode 4. – Le fait de mettre S2 à une valeur faible (COM) ou la relier au commun provoquera l'arrêt de l'alarme ou sa réinitialisation selon les conditions d'alarme en cours.

Paramètre 53 – Alarme 1, clignotement de l'affichage sur alarme

L'affichage clignotera lorsqu'une condition d'alarme sera active.

Paramètre 54 – Alarme 1, durée de phase active d'une alarme intermittente

Ce paramètre définit le temps en secondes pendant lequel la sortie devra être active dans la phase « en marche » de la sortie d'alarme intermittente.

Paramètre 55 – Alarme 1, durée de phase inactive d'une alarme intermittente

Ce paramètre définit le temps en secondes pendant lequel la sortie devra être inactive dans la phase « arrêt » de la sortie d'alarme intermittente.

Paramètre 56 – Alarme 1, nombre d'impulsions

Ce paramètre détermine le nombre d'impulsions émises lorsque l'alarme est activée et configurée en Mode Sortie intermittente. Lorsque 0 est entré, l'unité sera réglée pour émettre des impulsions en continu pendant que l'alarme est active.

Paramètre 57 – Limite inférieure de l'alarme 1

Ce paramètre définit soit la limite inférieure, l'extrémité inférieure d'une plage de zone d'alarme ou un délai d'arrêt de calage. Les limites d'alarme sont indiquées en unités d'affichage sans tenir compte du point décimal ou des deux points. En modes Taux et Esclave, une limite de 123 pourrait représenter une valeur d'affichage de 123, 12.3, 1.23 ou 0.123. En mode Temps, une limite de 123 pourrait représenter une valeur de 1:23 sur l'affichage. Lorsqu'on utilise la limite inférieure pour établir un délai d'arrêt de calage pour le Paramètre 50, Mode 7, cet ajustement se fait en secondes.

Paramètre 58 – Limite supérieure de l'alarme 1

Ce paramètre définit soit la limite supérieure, l'extrémité supérieure d'une plage de zone d'alarme ou un délai d'arrêt de calage. Les limites d'alarme sont indiquées en unités d'affichage sans tenir compte du point décimal ou des deux points. En modes Taux et Esclave, une limite de 123 pourrait représenter une valeur d'affichage de 123, 12.3, 1.23 ou 0.123. En mode Temps, une limite de 123 pourrait représenter une valeur de 1:23 sur l'affichage. Lorsqu'on utilise la limite supérieure pour établir un délai d'arrêt de calage pour le Paramètre 50, Mode 7, cet ajustement se fait en secondes.

Paramètre 95 – Commande Paramètres par défaut d'usine

Lorsque la valeur 5 est donnée à ce paramètre, l'unité est réinitialisée avec les paramètres par défaut d'usine. On peut aussi le faire en branchant l'alimentation à l'unité tout en appuyant simultanément sur les boutons Entrée et Bas. *Le cavalier de programmation doit être sur la position « Marche » pour que cette méthode fonctionne.*

Paramètre 98 – Commande Sauvegarder dans la zone par défaut de l'utilisateur

Lorsque la valeur 5 est donnée à ce paramètre, l'unité stocke tous les paramètres réglables dans la zone mémoire par défaut de l'utilisateur. La zone par défaut de l'utilisateur est l'emplacement mémoire dans lequel un OEM ou un intégrateur peut stocker des paramètres spécifiques à son application. Avec cette fonctionnalité, un OEM pourra aisément remettre à jour sur le terrain ses paramètres personnalisés, si un utilisateur final a accidentellement reconfiguré incorrectement l'unité. Cette zone sert aussi communément pour faire des essais et pour l'installation initiale. L'utilisateur peut stocker ici des paramètres connus comme bons et faire des essais sans crainte de perdre la configuration optimale.

Paramètre 99 – Commande Restaurer depuis la zone par défaut de l'utilisateur

Lorsque la valeur 1 est donnée à ce paramètre, l'unité restaure tous les paramètres réglables depuis la zone mémoire par défaut de l'utilisateur. Voir le paramètre 98 pour plus de renseignements.

Dépannage

Problème	Cause possible	Solution
Écran vierge	Appareil débranché Unité défectueuse	À l'aide d'un voltmètre, vérifier que la tension entre les bornes N et L du boîtier de raccordement se situe entre 85 et 265 V c.a. Prendre contact avec le service technique pour obtenir de l'aide et des renseignements.
Affichage trop pâle	Le paramètre de luminosité est trop faible.	L'augmentation du paramètre de luminosité d'affichage devrait se traduire par un affichage des chiffres plus lumineux.
Lorsque l'unité est mise sous tension, « LF-L » s'affiche.	La ligne d'alimentation secteur de l'unité a trop de bruit. La ligne d'alimentation secteur de l'unité à une fréquence anormalement basse.	Revoir le chemin de câblage de l'alimentation secteur de la machine pour réduire le bruit électrique. Rechercher si d'autres dispositifs qui partagent le même circuit d'alimentation produisent des niveaux de bruit inacceptables. Dans certaines applications, telles que des postes de soudage, un filtre de ligne c.a., des chemins de câbles modifiés, des circuits divisés, l'utilisation de câbles blindés et une mise à la terre correcte des appareils devraient pouvoir venir à bout du problème. L'unité est conçue pour fonctionner avec des alimentations secteur ayant une fréquence située entre 48 et 62 Hertz. Ce n'est habituellement pas un problème parce que les normes internationales sont de 50 et 60 Hertz.
Lorsque l'unité est mise sous tension, « LF-H » s'affiche.	La ligne d'alimentation secteur de l'unité a trop de bruit. La ligne d'alimentation secteur de l'unité à une fréquence anormalement élevée.	Revoir le chemin de câblage de l'alimentation secteur de la machine pour réduire le bruit électrique. Rechercher si d'autres dispositifs qui partagent le même circuit d'alimentation produisent des niveaux de bruit inacceptables. Dans certaines applications, telles que des postes de soudage, un filtre de ligne c.a., des chemins de câbles modifiés, des circuits divisés, l'utilisation de câbles blindés et une mise à la terre correcte des appareils devraient pouvoir venir à bout du problème. L'unité est conçue pour fonctionner avec des alimentations secteur ayant une fréquence située entre 48 et 62 Hertz. Ce n'est habituellement pas un problème parce que les normes internationales sont de 50 et 60 Hertz.
La sortie d'alarme ne semble pas fonctionner	Les paramètres de sortie d'alarme ne sont pas configurés correctement.	Les paramètres de sortie d'alarme ne sont pas configurés correctement. Revoir les paramètres de sortie d'alarme. La sortie de relais d'alarme pourra être testée en choisissant la valeur « toujours en marche », dans les paramètres de conditions d'activation de la sortie d'alarme. En faisant cela, le « clic » du relais devrait pouvoir s'entendre et les bornes NC (normalement fermé) et C (commun) devraient être court-circuitées en interne au boîtier de raccordement.

Options d'assistance technique

- Vous pouvez visiter le site Internet de Dart Controls à l'adresse suivante : www.dartcontrols.com
- Vous pouvez aussi adresser un e-mail au service technique à l'adresse suivante : techsupport@dartcontrols.com
- Vous pouvez téléphoner au service technique en composant le numéro : 317 733 2133 poste 4

Qu'y a-t-il de spécial sur www.dartcontrols.com ?

- Les mises à jour des documents papier et les nouvelles offres de produits apparaissent en ligne en premier.
- Les guides d'utilisation des produits et d'autres documents sont d'un accès facile.
- Toutes les informations sont faciles à afficher et à imprimer si besoin.

REPAIR PROCEDURE

In the event that a Product manufactured by Dart Controls Incorporated (DCI) is in need of repair service, it should be shipped, freight paid, to: Dart Controls, Inc., 5000 W. 106th Street, Zionsville, IN. 46077, ATTN: Repair Department.

Those orders received from anyone without an existing account with DCI will need to specify if they will be paying COD or Credit Card (Master Card or Visa). This information is required before work can begin. If you have an account with Dart your order will be processed according to the terms listed on your account.

Completed repairs are returned with a Repair Report that states the problem with the control and the possible cause. Repair orders are returned via UPS Ground unless other arrangements are made. If you have further questions regarding repair procedures, contact your Dart Controls, Inc. at 317-733-2133 Ext.460.

YOUR MOTOR SPEED CONTROL SOLUTIONS PROVIDER



125D SERIES
AC INPUT - VARIABLE DC OUTPUT
1/50 HP through 1.0 HP



250G SERIES
AC INPUT - VARIABLE DC OUTPUT
1/50 HP through 2.0 HP



65 SERIES
DC INPUT - VARIABLE DC OUTPUT
CURRENT RATINGS OF 20, 40, AND
60 AMPS



700/COMMUTROL SERIES
DC BRUSHLESS
5 & 20 Amp for
12,24,& 36VDC Inputs



MDP SERIES
PROGRAMMABLE
CLOSED LOOP DC
SPEED CONTROL



DM SERIES
FIELD PROGRAMMABLE
DIGITAL TACHOMETER

Dart Controls, Inc. is a designer, manufacturer, and marketer of analog and digital electronic variable speed drives, controls, and accessories for AC, DC, and DC brushless motor applications.

Shown above is just a sampling of the expanded line of Dart controls that feature the latest in electronic technology and engineering. Products are manufactured in the U.S.A. at our Zionsville (Indianapolis,

Indiana) production and headquarters facility - with over 2,000,000 variable speed units in the field.

In addition to the standard off-the-shelf products, you can select from a wide variety of options to customize controls for your specific application. For further information and application assistance, contact your local Dart sales representative, stocking distributor, or Dart Controls, Inc.

Dart Controls, Inc.

Manufacturer of high quality DC and AC motor speed controls and accessories since 1963.

P.O. Box 10
5000 W. 106th Street
Zionsville, Indiana 46077
Phone: (317) 733-2133
Fax: (317) 873-1105