

Features

- ESD protection for one line with bi-directional
- Provide transient protection for one line to **IEC 61000-4-2 (ESD) $\pm 15\text{kV}$ (air) / $\pm 12\text{kV}$ (contact) IEC 61000-4-4 (EFT) 30A (5/50ns)**
- Suitable for, **36V and below**, operating voltage applications
- **01005 small CSP package** saves board space
- Protect one I/O line or one power line
- Fast turn-on and low clamping voltage
- Solid-state silicon-avalanche and active circuit triggering technology
- **Green part**

Applications

- Mobile phones
- Portable devices
- Serial and parallel port protection
- Control signal line protection
- Power line protection

Description

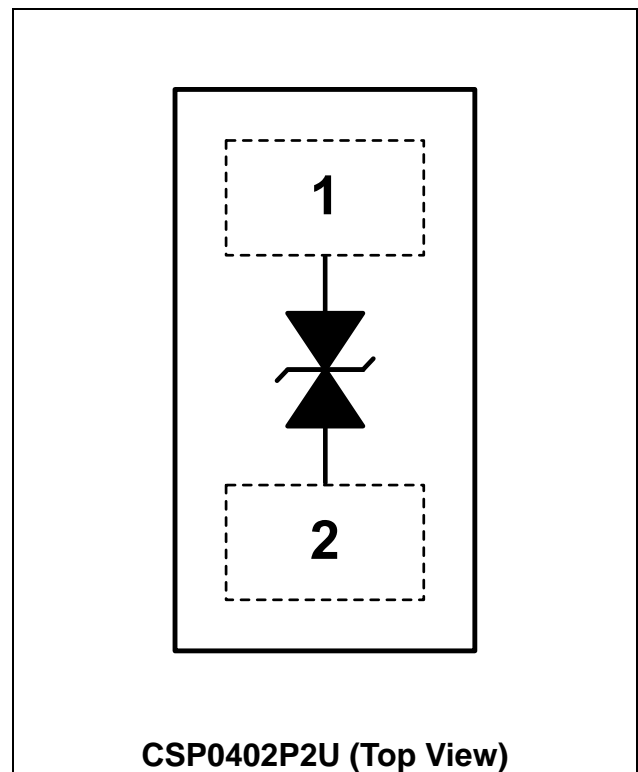
AZ4C36-01B is a design which includes a bi-directional ESD rated clamping cell to protect one power line, or one control line, or one low-speed data line in an electronic system. The AZ4C36-01B has been specifically designed to protect sensitive components which are connected to power and control lines from over-voltage damage and latch-up caused by Electrostatic Discharging (ESD), Electrical Fast

Transients (EFT), and Cable Discharge Event (CDE).

AZ4C36-01B is a unique design which includes proprietary clamping cell in a single package. During transient conditions, the proprietary clamping cell prevents over-voltage on the power line or control/data lines, protecting any downstream components.

AZ4C36-01B may be used to meet the ESD immunity requirements of IEC 61000-4-2, Level 4 ($\pm 15\text{kV}$ air, $\pm 8\text{kV}$ contact discharge).

Circuit Diagram / Pin Configuration





Specifications

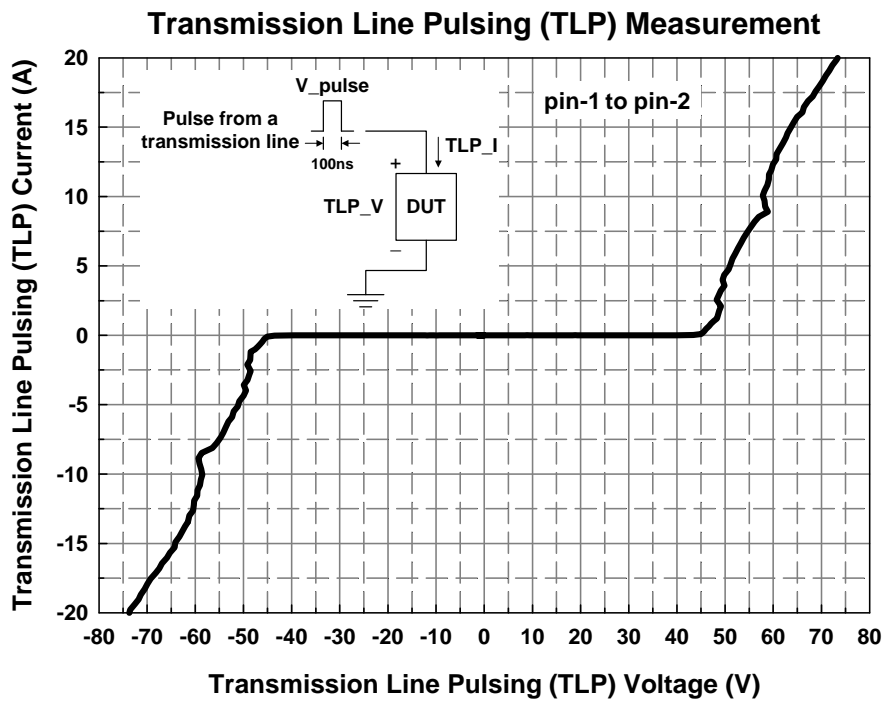
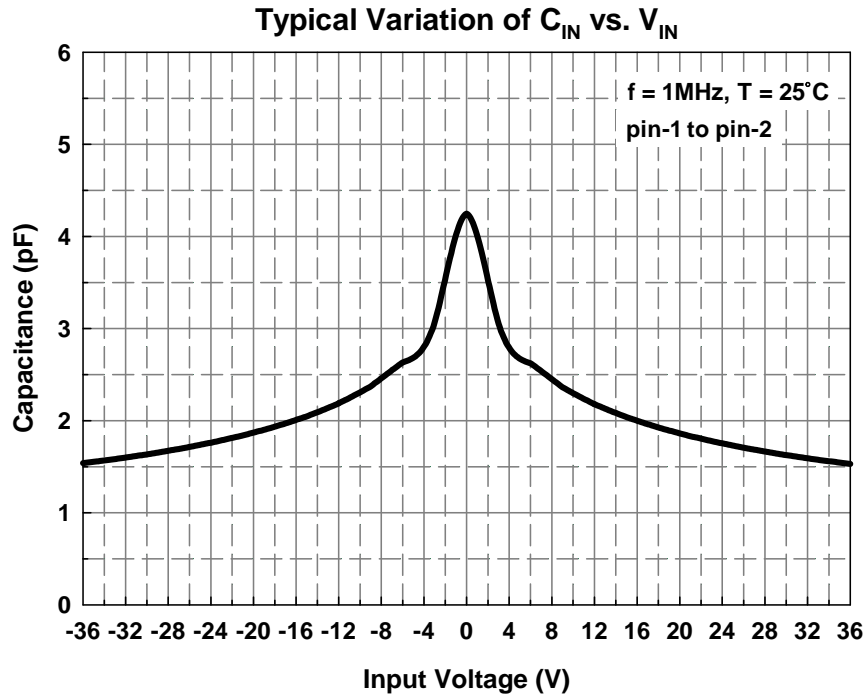
Absolute Maximum Ratings ($T_A = 25^\circ\text{C}$, unless otherwise specified)			
Parameter	Symbol	Rating	Unit
Operating Voltage	V_{DC}	± 39.6	V
ESD per IEC 61000-4-2 (Air)	V_{ESD-1}	± 15	kV
ESD per IEC 61000-4-2 (Contact)	V_{ESD-2}	± 12	
Lead Soldering Temperature	T_{SOL}	260 (10 sec.)	$^\circ\text{C}$
Operating Temperature	T_{OP}	-55 to +125	$^\circ\text{C}$
Storage Temperature	T_{STO}	-55 to +150	$^\circ\text{C}$

Electrical Characteristics						
Parameter	Symbol	Condition	Min	Typ	Max	Unit
Reverse Stand-Off Voltage	V_{RWM}	$T = 25^\circ\text{C}$.	-36		36	V
Reverse Leakage Current	I_{Leak}	$V_{RWM} = \pm 36\text{V}$, $T = 25^\circ\text{C}$.			100	nA
Reverse Breakdown Voltage	V_{BV}	$I_{BV} = 1\text{mA}$, $T = 25^\circ\text{C}$.	40		48	V
ESD Clamping Voltage (Note 1)	V_{CL-ESD}	IEC 61000-4-2 +8kV ($I_{TLP} = 16\text{A}$), contact mode, $T = 25^\circ\text{C}$.		66		V
ESD Dynamic Turn-on Resistance	$R_{dynamic}$	IEC 61000-4-2 0~+8kV, contact mode, $T = 25^\circ\text{C}$.		1.3		Ω
Channel Input Capacitance	C_{IN}	$V_R = 0\text{V}$, $f = 1\text{MHz}$, $T = 25^\circ\text{C}$.		4.3	6	pF

Note 1: ESD Clamping Voltage was measured by Transmission Line Pulsing (TLP) System.

TLP conditions: $Z_0 = 50\Omega$, $t_p = 100\text{ns}$, $t_r = 1\text{ns}$.

Typical Characteristics



Application Information

The AZ4C36-01B is designed to protect one line against system ESD/EFT pulses by clamping it to an acceptable reference. It provides bi-directional protection.

The usage of the AZ4C36-01B is shown in Fig. 1. Protected line, such as data line, control line, or power line, is connected to pin 1. The pin 2 is connected to a ground plane on the board. In order to minimize parasitic inductance in the board traces, all path lengths connected to the pins of AZ4C36-01B should be kept as short as possible.

In order to obtain enough suppression of ESD induced transient, a good circuit board is critical. Thus, the following guidelines are recommended:

- Minimize the path length between the protected lines and the AZ4C36-01B.
- Place the AZ4C36-01B near the input terminals or connectors to restrict transient coupling.
- The ESD current return path to ground should be kept as short as possible.
- Use ground planes whenever possible.
- NEVER route critical signals near board edges and near the lines which the ESD transient easily injects to.

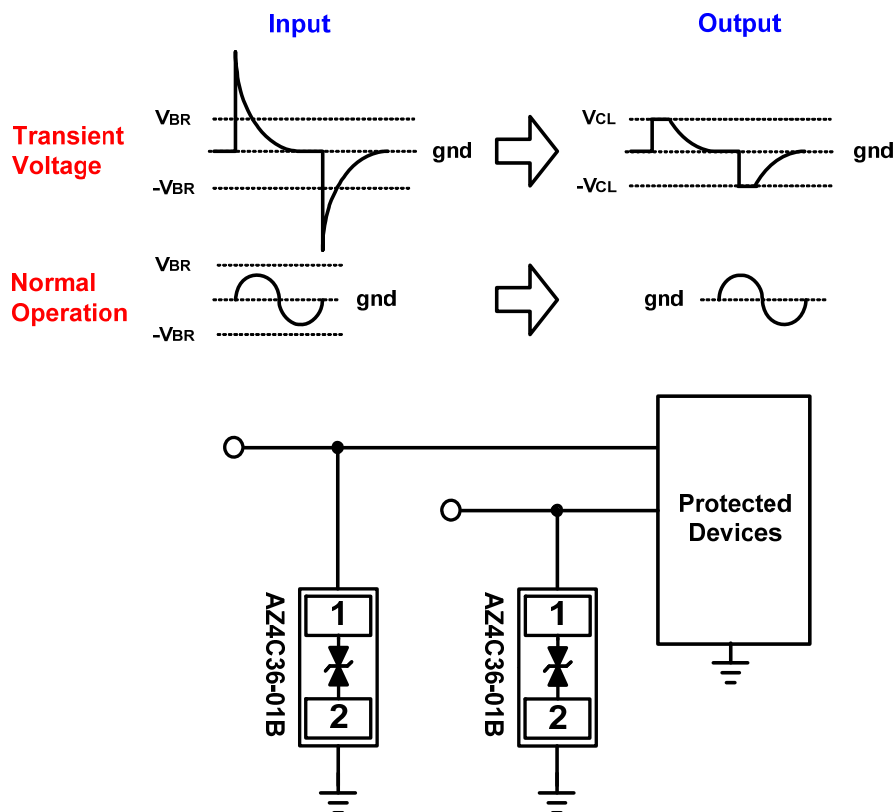
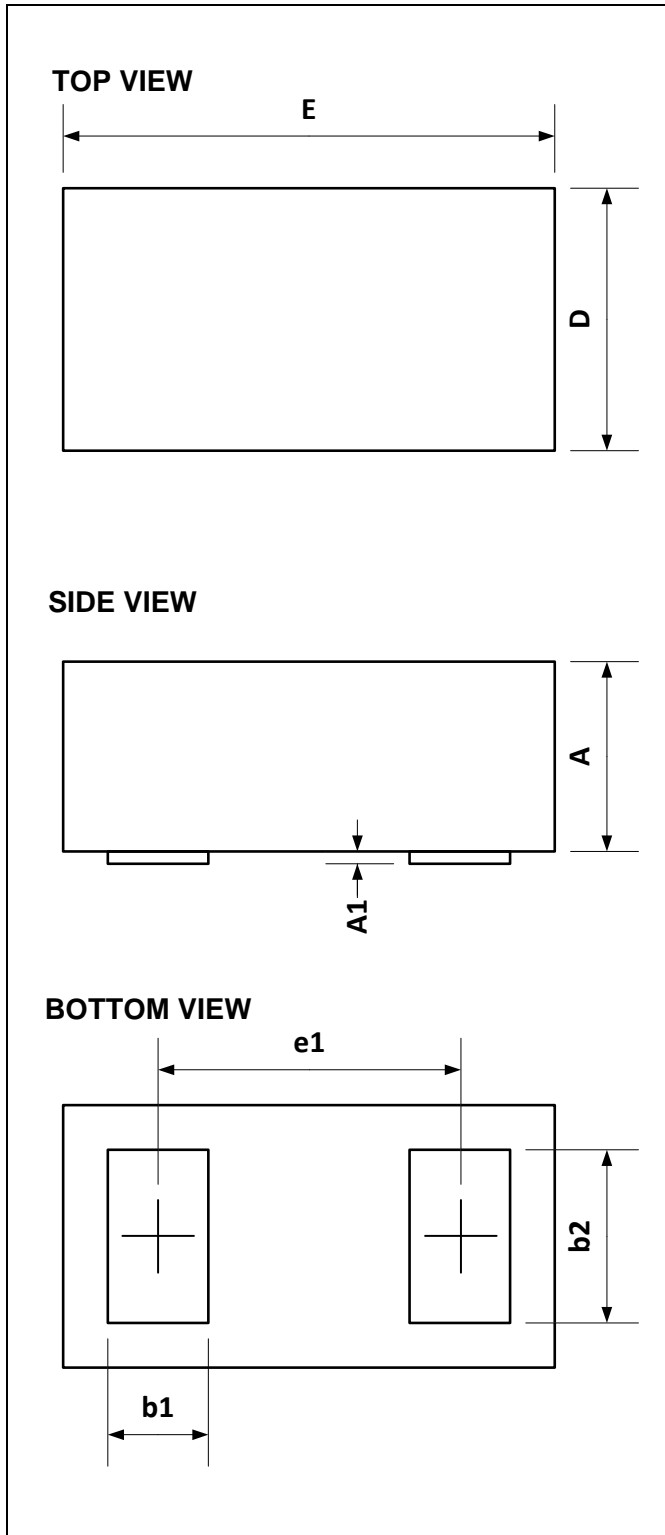


Fig. 1 ESD protection scheme by using AZ4C36-01B.

Mechanical Details

CSP0402P2U

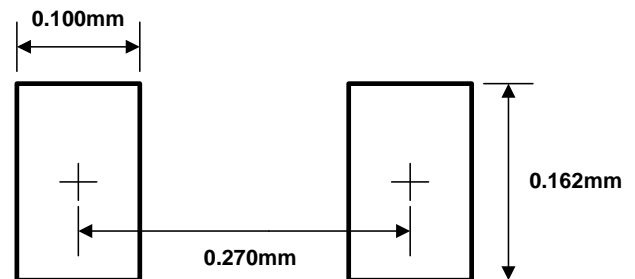
Package Diagrams



Package Dimensions

Symbol	Millimeters		
	Min.	Nom.	Max.
E	0.415	0.440	0.465
D	0.210	0.235	0.260
A	0.145	0.170	0.195
A1	0.008	0.011	0.014
b1	0.084	0.090	0.096
b2	0.149	0.155	0.161
e1	0.270BSC		

Land Layout


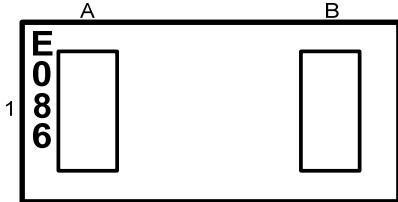


Notes:

This LAND LAYOUT is for reference purposes only. Please consult your manufacturing partners to ensure your company's PCB design guidelines are met.



Marking Code

Part Number	Marking Index	Device Code and Location
AZ4C36-01B.R7G (Green Part)	 <p>(Top View Side)</p>	 <p>(Bottom View Side)</p>

Notes

- Green means Pb-free, RoHS, and Halogen free compliant.
- The marking index is on the top view side of the device. The device code is on the pad side (bottom view side).

Ordering Information

PN#	Material	Type	Reel size	MOQ	MOQ/internal box	MOQ/carton
AZ4C36-01B.R7G	Green	T/R	7 inch	15,000/reel	4 reels = 60,000/box	6 boxes = 360,000/carton

Revision History

Revision	Modification Description
Revision 2021/03/25	Formal Release.