

# CCD Series

## Ceramic Disc Capacitors

**TRIGON**  
COMPONENTS



### FEATURES

#### Class I: Temperature Compensation

- Linear Temp. coeff. Of capacitance.
- High stability of capacitance.
- Low loss at wide range of frequency.
- RoHS Compliant

#### Class II: High Dielectric Constant

- Non linear temp. coeff. Of capacitance.
- Large capacitance in small size.
- : High Voltage
- High Insulation Resistance.
- RoHS Compliant

#### Class III: Semi Conductive.

- Stable Temperature Characteristics.
- Ultra Large Capacitance in Small Size.
- High Volumetric Efficiency.
- RoHS Compliant

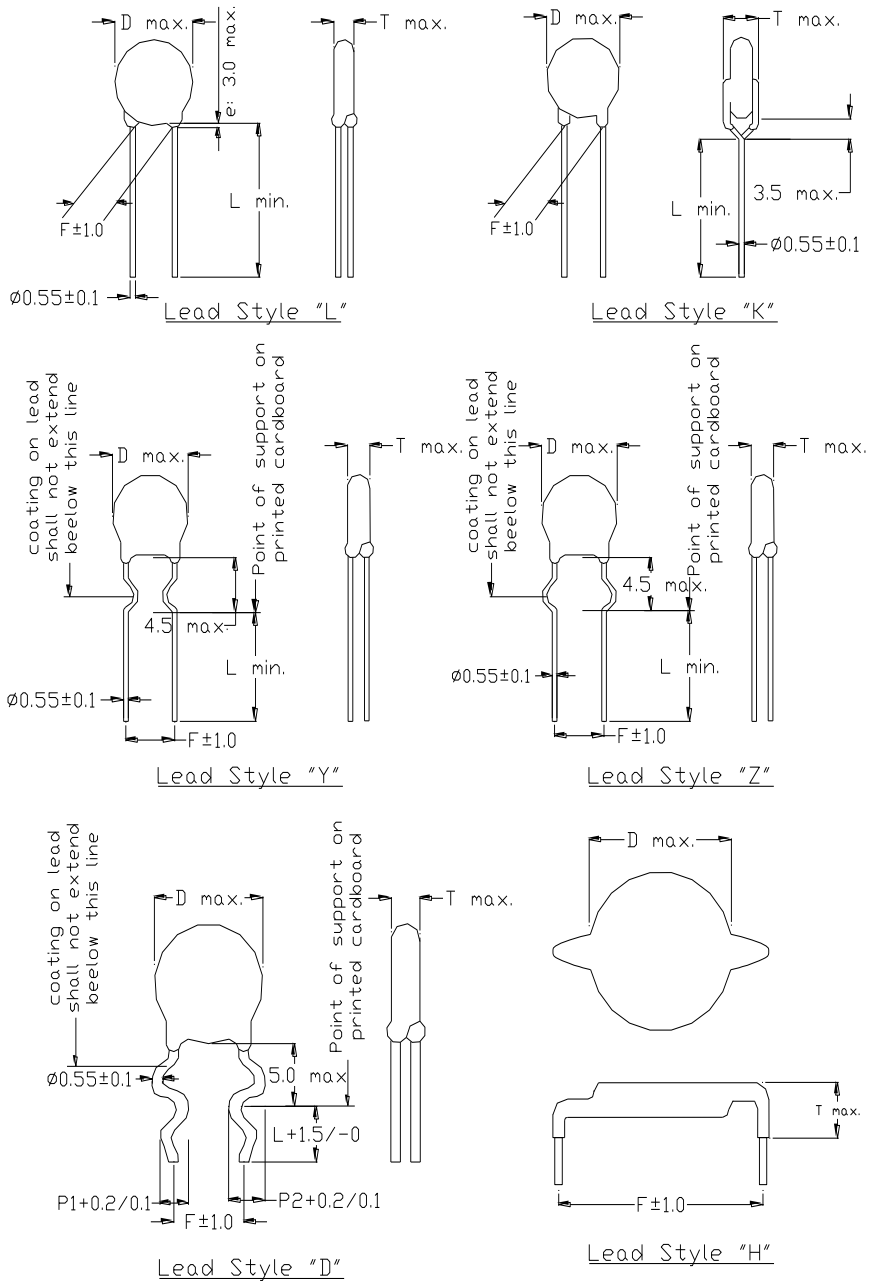
### ORDERING CODE

**CCD - C 05 E 104 M 500 L 5 1 D H**  
(1) (2) (3) (4) (5) (6) (7) (8) (9) (10) (11) (12)

- (1) Ceramic Disc Capacitor.
- (2) Class.
- (3) Diameter Code.
- (4) Temp. Characteristics.
- (5) Capacitance Code.
- (6) Tolerance Code.
- (7) Rated Voltage Code.
- (8) Lead Style.
- (9) Lead Spacing Code.
- (10) Package & Lead Length.
- (11) Coating.
- (12) High Voltage Type Option

✳Please refer to complete  
Ordering Code document (CCD-  
Ord) for more ordering options.

### Configuration



Capacitor

# CCD Series

## Ceramic Disc Capacitors

**TRIGON**  
COMPONENTS

### Class I: Temperature Compensation Type.

WV	50V (100V)				500V (250V)		1KV		2KV	
Lead Spacing 'F' (mm) ±1.0	2.5mm, 5.0mm				5.0mm		5.0mm, 7.5mm		5.0mm, 7.5mm	
Temp. Char. (ppm/°C)	C (CH/NPO) 0±60	P/R (PH/PR) 150±60 -220±60	U (UJ) -750±120	S (SL) +350±1000	C 0±60	S +350±1000	C 0±60	S +350±1000	C 0±60	S +350±1000
Cap. pF										
0.5										
1.0										
1.5										
2.0										
3.0							05			
4.0									08	
5.0										
6.0										
7.0										
8.0					05					
9.0			05							
10	05						06	05		
12										
15										
18										
20				05			05			
22										
24		05								
27										
30									09	
33							06			
39										
43		06			06					
47							07		10	
56					07					
68	06	07	06						11	
82					08	06	08	06	12	09
100	07	08	07				09		13	
120								07	14	10
150	08	09	08			07	10			
180							11			12
200	09	10	09	06				08		
220										13
240	10		10							
270				07				09		14
300	11		11							
330						09				15
390	12		12	08		10		10		16
470	14		14					11		
560				09				12		
680										
820				10						
1000										
'T' (mm) Max	4mm									

Capacitor

= Diameter Code

# CCD Series

## Ceramic Disc Capacitors

### Class II: High Dielectric Constant Type.

WV	50V(100V)			500V(250V)			1KV			2KV		
Lead Spacing 'F' (mm) ±1.0	2.5mm, 5.0mm			5.0mm, 7.5mm			5.0mm, 7.5mm, 10mm			5.0mm, 7.5mm, 10mm		
Temp. Char. (%)	B (Y5P) ±10	E (Y5U) U (Z5U) +22,-56	F (Y5V) V (Z5V) +22,-82	B (Y5P) ±10	E (Y5U) U (Z5U) +22,-56	F (Y5V) V (Z5V) +22,-82	B (Y5P) ±10	E (Y5U) U (Z5U) +22,-56	F (Y5V) V (Z5V) +22,-82	B (Y5P) ±10	E (Y5U) +22,-56	F (Y5V) +22,-82
Cap. pF												
100												
120										07		
150												
180												
200							05					
220								05		08		
270				05								
300					05							
330						05						
390	05											
470									07			
500										09		
560		05					06			10		
680			05	06							08	
820							07			11		
1000							08	06			09	08
1200										12		
1500				07							10	
1800												08
2000				08								
2200							09					
2700	06			09	06		10	07		14		
3300										15	11	
3900	07			10	07		12	08		17		10
4700								09			13	
5600	08			12	08		14		08	19	15	11
6800						08		10			16	
8200	09	06		14	09		16		10	21	17	13
10000					10			12				
12000		07	06		12						19	
15000		08						14				17
18000											21	
20000		09	07		14	12		16			23	19
22000										12		
27000			08									
33000												
39000												
40000			09			16						
47000									20			
56000												
68000												
82000												
100000						20						
'T' (mm) Max	4mm									5mm		

Capacitor

= Diameter Code

# CCD Series

## Ceramic Disc Capacitors

**TRIGON**  
COMPONENTS

### Class I: High Voltage Type.

WV	2KV		3KV		6KV		
Lead Spacing 'F' (mm) ±1.0	5.0mm, 7.5mm		7.5mm		10mm		
Temp. Char. (ppm/°C)	S (SL)	C (NPO)	S (SL)	C (NPO)	S (SL)	C (NPO)	Cap. Tol.
Cap. pF							
1.0	05	05	05	05	05	05	C,D,J,K
1.5							
2.0							
3.0							
4.0							
5.0							
6.0							
7.0							
8.0							
9.0							
10							
12							
15		CG		07			J,K
18					06	08	
20							
22	05	HH	05	08	07	09	
24							
27	FF	HH	06	08	08	10	
30							
33	FF	II	06	09	08	11	
39		JJ	06		09	12	
43							
47	GG	KK	07	10	09	12	
56		LL		11			
68	HH	MM	08	12			
82		OO		15			
100	II	PP	09	16			
120	JJ		10				
150							
180	KK		11				
200							
220	LL		12				
240							
270	NN		14				
300							
330	OO		15				
390	PP		16				
470	QQ		17				
'T' (mm) Max	5mm		6mm		7mm	8mm	

Capacitor

= Diameter Code

# CCD Series

## Ceramic Disc Capacitors

**TRIGON**  
COMPONENTS

### Class II: High Voltage Type.

WV	2KV			3KV			6KV			8KV			10KV		
Lead Spacing 'F' (mm) ±1.0	5.0mm, 7.5mm, 10mm			7.5mm, 10mm			10mm			10mm			10mm		
Temp. Char. (%)	B ±10	E +22, -56	F +22, -82	B ±10	E +22, -56	F +22, -82	B ±10	E +22, -56	F +22, -82	B ±10	E +22, -56	F +22, -82	B ±10	E +22, -56	F +22, -82
Cap. pF															
100	06			06			09			JJ			KK		
120															
150	06			06			09			JJ			KK		
180															
200															
220	06			06			09			KK			KK		
270															
300															
330	06			06			09			KK			11		
390															
470	07			07			10			12			MM		
500															
560	07			07			10			MM			13		
680	07			08			11			NN			14		
820															
1000	09	07	06	09	07	06	13	JJ	II	PP	11	JJ	QQ	12	KK
1200															
1500	09	08	07	11	08	07	16	11	JJ	SS	13	11	UU	14	LL
1800															
2000															
2200	10	08	07	12	09	07		MM	KK		15	MM		QQ	NN
2700															
3300	10	10	08	15	11	09		15	13		17	OO		UU	PP
3900															
4700	10	12	09	19	13	10		PP	14		UU	QQ		22	SS
5600		13	10		14	12		SS	PP			SS			TT
6800		13	11		15	12		20	17			TT			VV
8200															
10000		14	12		17	14			UU						
'T' (mm) Max	5mm			6.5mm			8mm			9mm			10mm		

Capacitor

= Diameter Code

#### General Specification:

- Capacitance (C ): 100pF~10000pF measured at 25°C with 1±0.1KHz and 3Vrms max.
- Dissipation Factor (DF): 25°C with 1±0.1KHz and 3Vrms max.
- Insulation Resistance (IR): 10000MOhm Min. measured with DC500±50V within 60V5 s of charging.
- Dielectric Strength: Apply DC Test Voltage W.V.(2~3KV is 200%, 5KV >= W.V. >=3KV is 175%, W.V.>5KV is 150%) for 1~5 sec (Charge/Discharge current <= 50mA)
- Temperature Characteristic (TC):  
B (-25°C~+85°C Within +10%), E (-25°C~+85°C Within +22/-56%), F (-25°C~+85°C Within +22/-82%)
- Operating Temperature Range: -25°C ~+85°C
- Coated with flame-retardant epoxy resin. (equivalent to UL94V-0 standards)
- All capacitors are accord with RoHS standard

# CCD Series

## Ceramic Disc Capacitors

### Class III : Semi-Conductive Type

WV	B (Y5P)			E (Y5U)			F (Y5V)		
Lead Spacing 'F' (mm) ±1.0	2.5mm, 5.0mm			2.5mm, 5.0mm			2.5mm, 5.0mm		
Temp. Char. (%)	16V ±15	25V ±15	50V ±15	16V +22,-56	25V +22,-56	50V +22,-56	16V +22,-82	25V +22,-82	50V +22,-82
Cap. pF									
1000									
1500									
1800									
2200									
2700									
3300									
3900		05	05						
4700									
5000									
5600									
6800									
8200									
10000									
12000						05			
15000		06	06						
18000		06			05			04	04
20000			07			06			
22000									
33000		07	08						
39000									
40000		08	09		06	07			05
47000									
50000								05	
56000		09	11						06
68000					07	08			
82000		11		07				06	07
100000	10						06		
150000					10				10
220000							09	09	
330000									
470000							12		
'T' (mm) Max	4mm								

Capacitor

= Diameter Code

Trigon Components reserves the rights for revising the content of this catalog without further notification.

# CCD Series

## Ceramic Disc Capacitors

**TRIGON**  
COMPONENTS

### Specifications

Type Item	Class 1 Temperature Compensation	Class 2 High Dielectric Constant	Class 3 Semi Conductive
<b>Operating temperature range</b>	-25 ~ +85°C / -55°C~+125°C*	-25 ~ +85°C (Y5P) +10 ~ +85°C (Z5U, Z5V)	-25 ~ +85°C
<b>Capacitance</b>	Within the tolerance at 25±2 °C, 1±0.1MHz, 1±0.1Vrms.	Within the tolerance at 25±2 °C, 1±0.1KHz, 1±0.2Vrms.	Within the tolerance at 25±2 °C, 1±0.1KHz, 0.1Vrms.
<b>Test voltage</b>	Rated working voltage 50 VDC, 500 VDC: 3 times of the rated voltage (50mA and under) for 1 to 5 seconds. Rated working voltage 1K VCD, 2K VCD: 2 times of the rated voltage (50mA and under) for 1 to 5 seconds.	Rated working voltage 50 VDC, 500 VDC: 2.5 times of the rated voltage (50mA and under) for 1 to 5 seconds. Rated working voltage 1K VCD, 2K VCD: 2 times of the rated voltage (50mA and under) for 1 to 5 seconds. 3~5KVDC (175%) 6~15KVDC (150%)	Rated working voltage 16 VDC, 25 VDC, 50VDC: 2 times of the rated voltage (50mA and under) for 1 to 5 seconds.
<b>Insulation resistance</b>	10,000MΩ min. at rated voltage for 60±5 seconds.	Not less than 10,000 MΩ or (200/CR) MΩ whichever is the smaller. CR: Capacitance (uF)	16VDC: Not less than 100 MΩ or (10/CR) MΩ whichever is the smaller. 25VDC, 50VDC: Not less than 1,000 MΩ or (20/CR) MΩ whichever is the smaller. CR: Capacitance (uF)
<b>Q Factor /Dissipation Factor (Tanδ)</b>	At 1±0.1MHz, 1±0.1 Vrms, 25±2°C C ≥ 30pF ----- Q ≥ 1,000 C ≥ 30pF ----- Q ≥ 400+20C	At 1±0.1KHz, 1±0.2 Vrms, 25±2°C Y5P, Z5U: <b>tanδ ≤ 2.5%</b> Z5V : <b>tanδ ≤ 2.5%</b>	At 1±0.1KHz, 0.1 Vrms, 25±2 °C 16V : <b>tanδ ≤ 7.5%</b> Z5V, 50V : <b>tanδ ≤ 5.0%</b>

\* Operating Temperature Range (-55°C~+125°C) is available for 'Class I' capacitors upon request.

Capacitor

# CCD Series

## Ceramic Disc Capacitors

**TRIGON**  
COMPONENTS

### Specification and Test Methods

Item		Specification	Test method and test condition
1. Operating temperature range		Class I: -25 ~ +85°C / -55°C~+125°C* Class II: -25°C ~+85°C (B.E.F.) -55°C ~+125°C (X7R) Class III: -25°C ~+85°C	
2. Capacitance		Satisfies within specified tolerance	Measuring frequency and voltage: Class 1: 1±0.1MHz and 3Vrms max. at 25±2°C Class 2: 1±0.1MHz and 3Vrms max. at 25±2°C Class 3: 1±0.1MHz and 0.1Vrms max. at 25±2°C
3. DF/Q		Class 1: 30PF and over: Q≥1000 Under 30PF: Q≥400±20C Class 2: Char B, D and E: 2.5% max. Char F: 5.0% max. Class 3: 16V≤7% 25V, 50V≤5%	Same condition the capacitance
4. Insulation resistance (I.R.)		Class 1: ≥10,000MΩ Class 2: C≤0.02UF: 10,000MΩ min. 0.02UF<C<0.1UF: 7,500MΩ min. Class 3: 16V>100 MΩ 25V, 50V>1,000 MΩ	The I.R. shall be measured with the rated voltage ± 3% within 60±5 sec. of charging
5. Dielectric strength	Between lead wires	No failure	Class 1, Class 2: Apply ADC voltages 250% of the rated voltage (500V~2KV is 200%, 3KV~5KV is 175%, 6KV~15KV is 150%) Between the lead wires for 1 to 5 sec. charge/discharge current≤50mA. Class 3: The capacitors shall not be damaged when DC voltages of 200% or 150% of the rated voltage are applied for 1-5 sec. (charge/discharge current≤10mA.)

Capacitor

\* Operating Temperature Range (-55°C~+125°C) is available for 'Class I' capacitors upon request.



# CCD Series

## Ceramic Disc Capacitors

**TRIGON**  
COMPONENTS

Item		Specification	Test method and test condition																		
	<b>Body insulation</b>	No failure	When the capacitor is placed in the container with metal balls diameter 1mm so that each lead wire, Short-circuited is kept approximately 2mm off the balls as shown in the figure, and DC voltages of 250% (1KV~6KV is 130%) of the rated voltage is applied for 1 to 5 sec between capacitor leads wires and small metals.																		
<b>6. Temperature characteristic</b>	<b>Temperature coefficient</b>	Class 1: Satisfied within specified tolerance (Table A). Class 2: B: $\pm 10\%$ R: $\pm 15\%$ E: $+22/-56\%$ F: $+22/-82\%$ Class 3: B: $\pm 10\%$ D: $+22/-33\%$ E: $+22/-56\%$ F: $+22/-82\%$	The capacitance measurement shall be made at each step specified in table. Capacitance change from the value of step 3 shall not exceed the limit specified. <table border="1" style="margin-top: 10px;"> <thead> <tr> <th>Step</th> <th>1</th> <th>2</th> <th>3</th> <th>4</th> <th>5</th> </tr> </thead> <tbody> <tr> <td>Class 1/2/3</td> <td><math>25\pm 2^\circ\text{C}</math></td> <td><math>-25\pm 2^\circ\text{C}</math></td> <td><math>25\pm 2^\circ\text{C}</math></td> <td><math>85\pm 2^\circ\text{C}</math></td> <td><math>25\pm 2^\circ\text{C}</math></td> </tr> <tr> <td>R</td> <td><math>25\pm 2^\circ\text{C}</math></td> <td><math>-55\pm 2^\circ\text{C}</math></td> <td><math>25\pm 2^\circ\text{C}</math></td> <td><math>125\pm 2^\circ\text{C}</math></td> <td><math>25\pm 2^\circ\text{C}</math></td> </tr> </tbody> </table>	Step	1	2	3	4	5	Class 1/2/3	$25\pm 2^\circ\text{C}$	$-25\pm 2^\circ\text{C}$	$25\pm 2^\circ\text{C}$	$85\pm 2^\circ\text{C}$	$25\pm 2^\circ\text{C}$	R	$25\pm 2^\circ\text{C}$	$-55\pm 2^\circ\text{C}$	$25\pm 2^\circ\text{C}$	$125\pm 2^\circ\text{C}$	$25\pm 2^\circ\text{C}$
Step	1	2	3	4	5																
Class 1/2/3	$25\pm 2^\circ\text{C}$	$-25\pm 2^\circ\text{C}$	$25\pm 2^\circ\text{C}$	$85\pm 2^\circ\text{C}$	$25\pm 2^\circ\text{C}$																
R	$25\pm 2^\circ\text{C}$	$-55\pm 2^\circ\text{C}$	$25\pm 2^\circ\text{C}$	$125\pm 2^\circ\text{C}$	$25\pm 2^\circ\text{C}$																
<b>7. Vibration resistance</b>	<b>Appearance</b>	No marked defect	The capacitor shall firmly be solder to the supporting terminal and vibration which is 10 to 55Hz in the vibration frequency range 1.5mm in total amplitude and about 1mm in the rate of vibration change from 10Hz to 55Hz and back to 10Hz is applied for a total of 6 hours; 2 hours each in three mutually perpendicular directions.																		
	<b>Capacitance</b>	Satisfies within specified tolerance																			
	<b>Q/D.F.</b>	Satisfies within initial																			
<b>8. Soldering effect</b>	<b>Appearance</b>	No marked defect	The lead wire shall be immersed into the melted solder of $350 \pm 10^\circ\text{C}$ (Body diameter 5.0mm Max $270 \pm 5^\circ\text{C}$ ) Up to about 2.0 to 2.5mm from the main body for $3+1/-0\text{sec}$ . (Body diameter 5.0mm Max $5 \pm 0.5\text{sec}$ .) And the specified items shall be measured after leaving for 4 to 24 hours.																		
	<b>Capacitance change</b>	Class 1: Within $\pm 2.5\%$ or $\pm 0.25\text{PF}$ Whichever is greater Class 2, 3: B: $\pm 5\%$ R: $\pm 10\%$ E: $\pm 15\%$ F: $\pm 20\%$																			

Capacitor

# CCD Series

## Ceramic Disc Capacitors

**TRIGON**  
COMPONENTS

Item		Specification	Test method and test condition
	<b>Dielectric strength (Between lead wires)</b>	No failure	
<b>9. Humidity (Under steady state)</b>	<b>Appearance</b>	No marked defect	Set the capacitor for 500+24/-0 hours at 40±2°C, in 90 to 95% Relative humidity after treatment set the capacitor for 1 to 2 hours at room temperature; the specified items can be measured.
	<b>Capacitance change</b>	Class 1: Within ±5% or ±0.5PF Whichever is greater Class 2: B: ±5%    R: ±10% E: ±15%    F: ±20% Class 3: B: ±10%    R: ±15% E: ±20%    F: ±30%	
	<b>Q/D.F.</b>	Class 1: 30PF and over: Q≥350 10PF to 30PF: Q≥275+5/2C Under 10PF: Q≥200+10C Class 2: Char B, R and E: 5% max. Char F: 7.5% max. Class 3: 16V<10% 25V, 50V<7.5%	
	<b>I.R.</b>	Class 1, 2: ≥1000MΩ Class 3: 16V>50 MΩ 25V, 50V>500 MΩ	
	<b>Dielectric strength (Between lead wires)</b>	No failure	

Capacitor

# CCD Series

## Ceramic Disc Capacitors

Item		Specification	Test method and test condition
10. Humidity loading	Appearance	No marked defect	Apply rated voltage for 500+24/-0 hours at 40±2°C in 90 to 95% RH (Charge/discharge current ≤50mA. After treatment, set the capacitor for 1 to 2 hours at room temperature, the specified them can be measured.)
	Capacitance change	Class 1: Within ±7.5% or ±0.75PF Whichever is greater Class 2,3 : B: ±10%    R: ±15% E: ±20%    F: ±30%	
	Q/D.F.	Class 1: 30PF and over: Q ≥200 Under 30PF: Q ≥100+10C Class 2: Char B, R and E: 5% max. Char F: 7.5% max. Class 3: 16V < 10% 25V, 50V < 7.5%	
	I.R.	Class 1, 2: ≥500MΩ Class 3: 16V > 25 MΩ 25V, 50V > 250 MΩ	
	Dielectric strength (Between lead wires)	No failure	

# CCD Series

## Ceramic Disc Capacitors

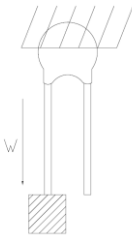
**TRIGON**  
COMPONENTS

Item		Specification	Test method and test condition
11. Life	Appearance	No marked defect	Apply DC rated voltage of 200% (1KV~6KV is 150%) of the rated voltage for 1000+48/-0 hours at 85±2°C. (Charge/discharge current ≤ 50mA. After treatment, set the capacitor for 1 to 2 hours at room temperature, the specified them can be measured.)
	Capacitance change	Class 1: Within ±3% or ±0.3PF Whichever is greater Class 2,3 : B: ±10%    R: ±15% E: ±20%    F: ±30%	
	Q/D.F.	Class 1: 30PF and over: Q ≥ 350 10PF to 30PF: Q ≥ 275+5/2C Under 10PF: Q ≥ 200+10C Class 2: Char B, R and E: 5% max. Char F: 7.5% max. Class 3: 16V < 10% 25V, 50V < 7.5%	
	I.R.	Class 1, 2: ≥ 1000MΩ Class 3: 16V ≥ 50 MΩ 25V, 50V ≥ 500 MΩ	
	Dielectric strength (Between lead wires)	No failure	

Capacitor

# CCD Series

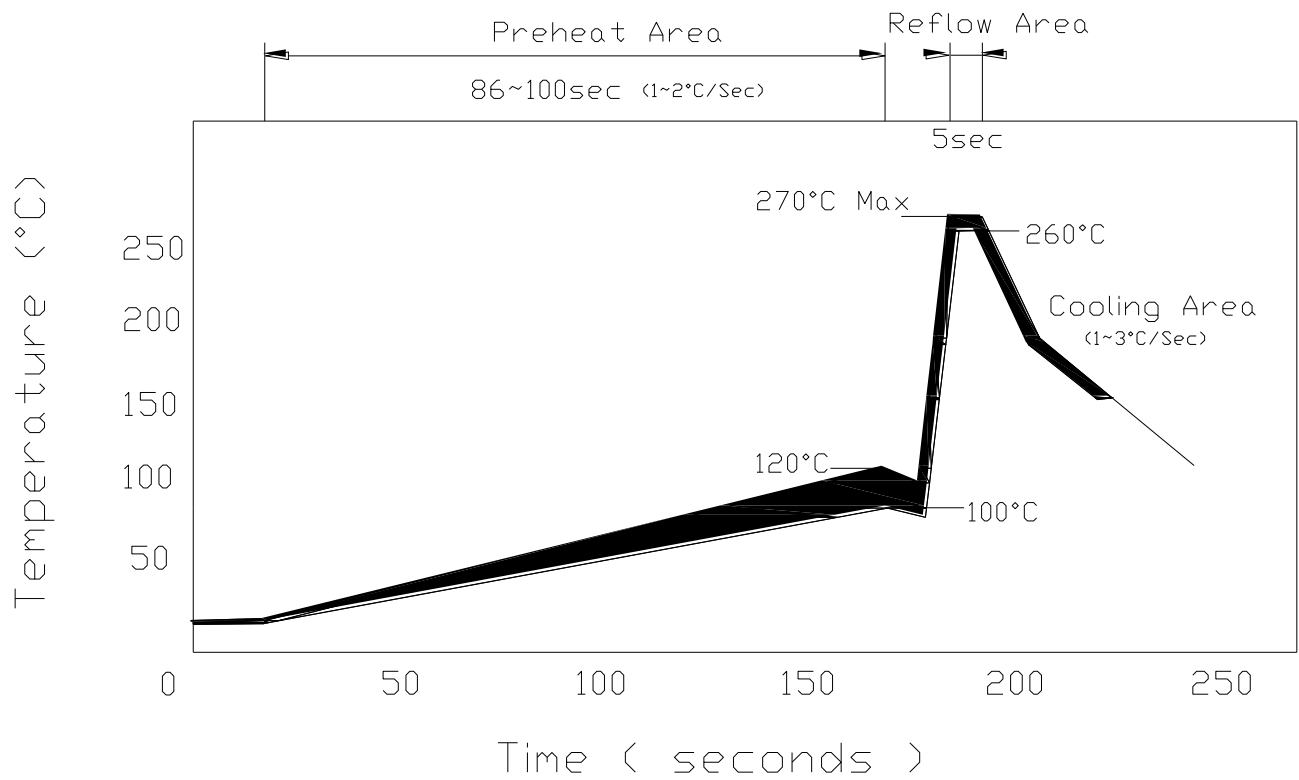
## Ceramic Disc Capacitors

Item		Specification	Test method and test condition
12. Strength of lead	Pull	Lead wire shall not cut off Capacitor shall not be broken	As a figure fix the body of capacitor, Apply a tensile weight gradually to each lead in the radial direction of capacitor up to 1.9Kgf, (Lead diameter 0.5mm Max 0.5Kgf) and keep it for 1 to 5 sec. 
	Bending		Each lead wire shall be subjected to 0.5Kgf (Lead diameter 0.5 Max. 0.25Kgf) weight and then a 90° bend, at the point of egress, in one direction, return to original position, and then a 90° bend in the opposite direction at the rate of one bend in 5 seconds.
13. Solder ability of leads		Lead wire shall be soldered with uniformly coated on the axial direction over 95% of the circumferential direction	The lead wire of a capacitor shall be dipped into a 25% methanol solution of rosin and then into molten solder of 240 ± 10°C for 2 ± 0.5 sec. in both cases the depth of dipped is up to about 2 to 2.5mm from the root of lead wires.

# SOLDERING PROFILE

Ceramic Disc Capacitors

TRIGON  
COMPONENTS



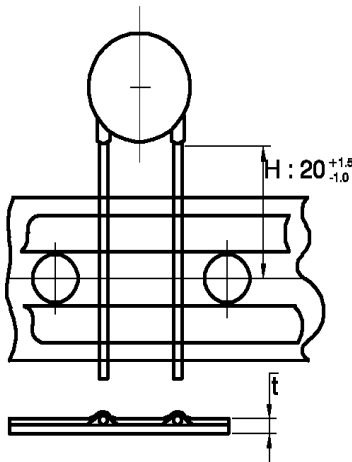
(Pb-Free Assembly)

# PACKING

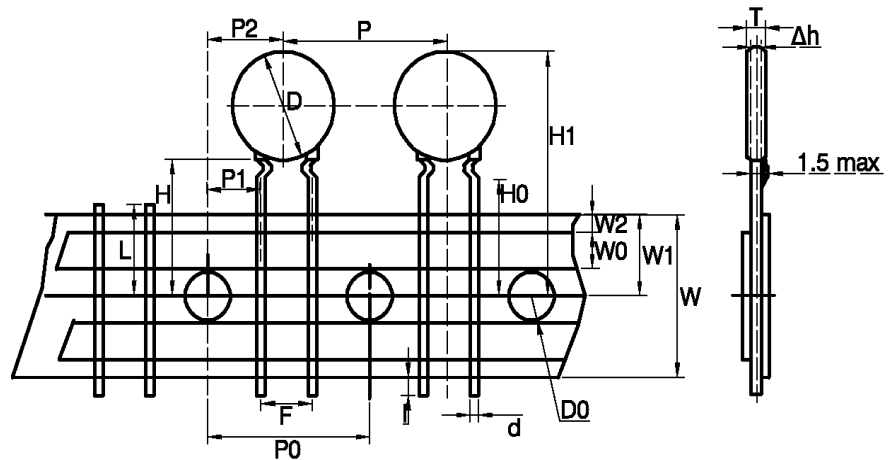
## Ceramic Disc Capacitors

TRIGON  
COMPONENTS

Straight



Kink



Capacitor

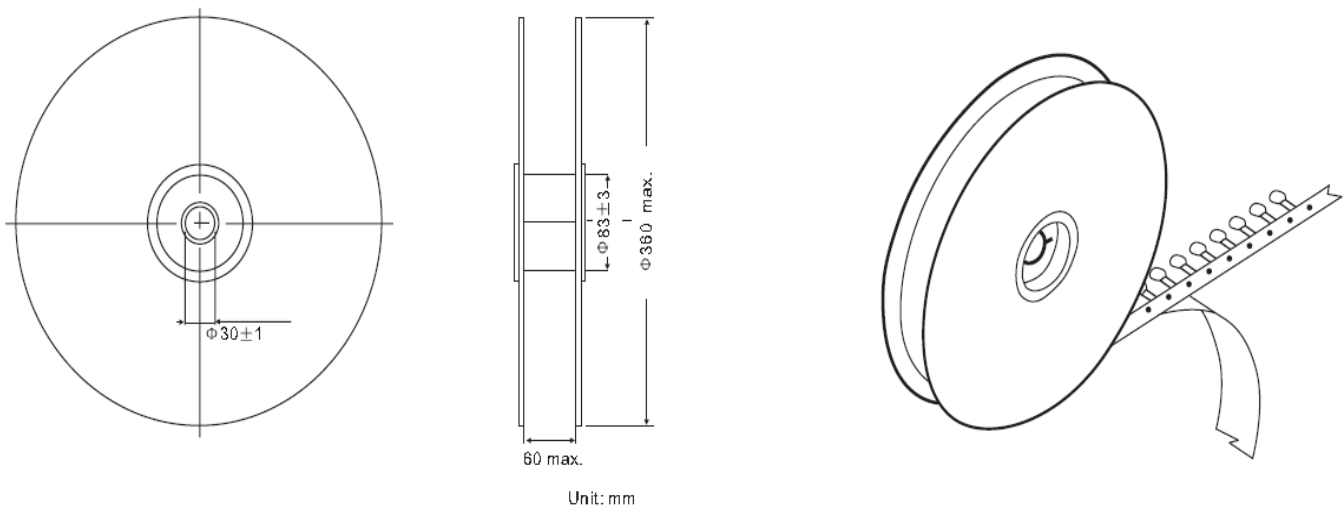
Item	Symbol	Specification		Remarks
		Value	Tolerance	
Body diameter	D	11.0	MAX.	
Body thickness	T	3.5	MAX.	
Lead-wire diameter	D	0.6	+0.06/-0.05	
Pitch of component	P	12.7 (19.5)	±1.0	
Feed hole pitch	P0	12.7 (19.5)	±0.3	Cumulative pitch error : 1.0mm/20 pitch
Feed hole center to lead	P1	3.85	±0.7	To be measured at bottom of clinch
Hole center to component center	P2	6.35	±1.3	
Lead to lead distance	F	5.0	+0.8/-0.2	
Component alignment, F-R	Δh	0	±2.0	
Tape width	W	18.0	+1.0/-0.5	
Hold-down tape width	W0	5.0	MIN.	
Hold position	W1	9.0	±0.5	
Hold-down tape position	W2	3.0	MAX.	
Height of component from tape center	H	20.0	+1.5/-1.0	
Lead wire clinch	H0	16.0	±0.5	
Component height	H1	32.25	MAX.	
Lead wire protrusion	l	1.0	MAX.	
Feed hole diameter	D0	4.0	±0.2	Ground paper : 0.5±0.1mm
Total tape thickness	T	0.7	±0.2	
Length of snipped lead	L	11.0	MAX.	

# PACKING

## Ceramic Disc Capacitors

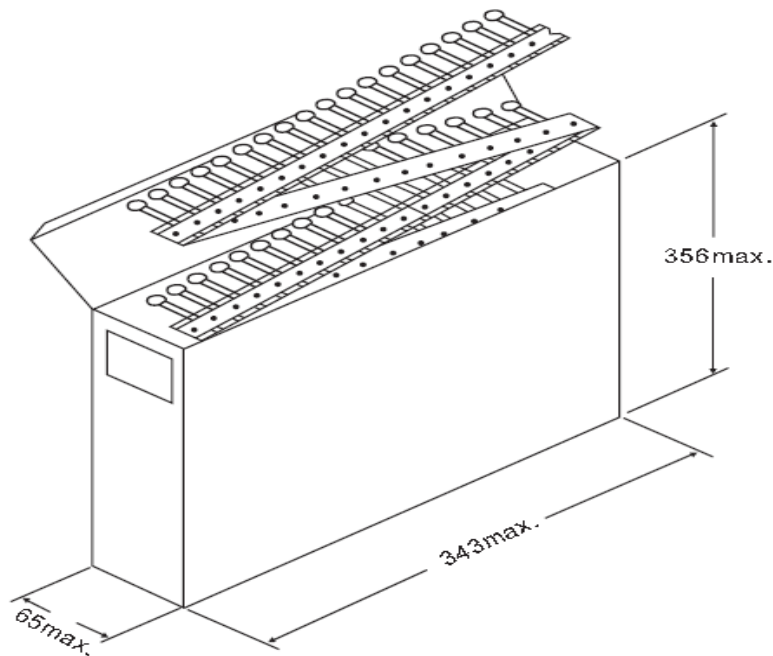
### PACKAGING STYLES

#### Taping: Reel Packaging



Capacitor

#### Taping: Ammo Box



#### Bulk: Polyethylene Bag



# PACKAGING Series

Ceramic Disc Capacitors  
Ceramic Disc Capacitors

TRIGON  
COMPONENTS

Capacitor

**Bulk: Polyethylene Bag**

## PACKAGING QUANTITY

Bulk (at standards specification)

Body Diameter 4.5 to 9.0 mm : 1000 pcs

Body Diameter 10 mm over : 500 pcs

Taping

Pitch : 12.7/25.4 mm




Body Diameter 4.5 to 8.0 mm : 1500 pcs./Box

Body Diameter 9.0 mm over : 1000 pcs./Box

## LABEL AND TRANSPORT

Capacitors shall be packaged prior to shipment so as to prevent damage during transportation and storage.

Shipping carton contains the following information on the label

TRIGON	
C/PN: *****	
	RoHS Compliant
P/No: CCD-*****	
	
DESCRIPTION:	LOT NO: XXXXXXX
Ceramic Disc Capacitors *****	
Q/ty: ****pcs	D/C: *****
	D/□: PO*****
	Made in China