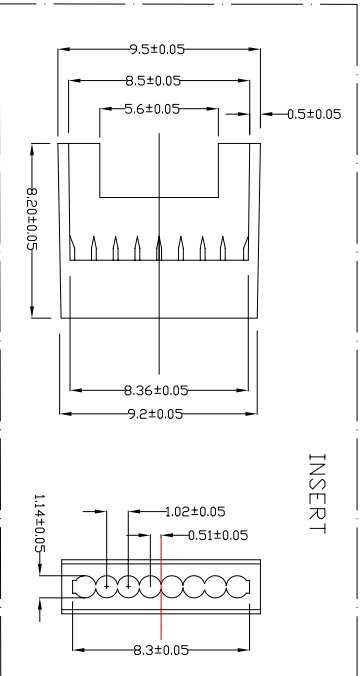
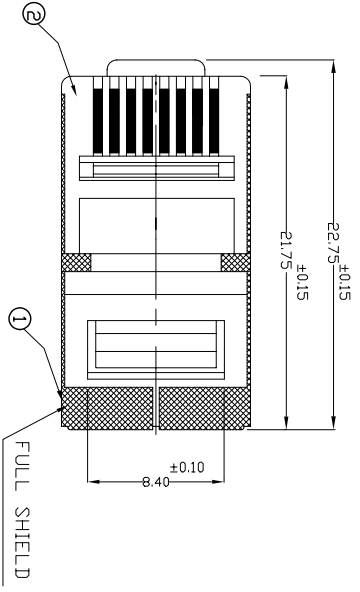
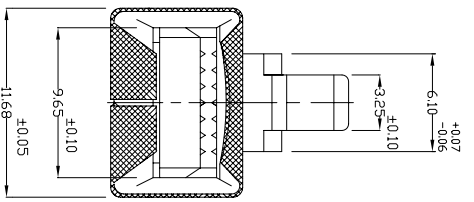
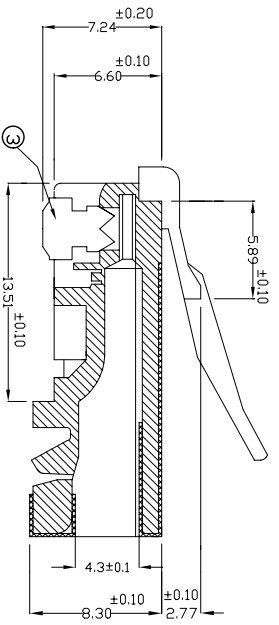


ROHS COMPLIANT



Tolerance	
.x	±0.2
.xxx	±0.1
ang.	±2°

UNIT: inches(mm)

NOTE:

1. TYPE OF MODULAR PLUG: 8P8C
2. ELECTRICAL:  
DIELECTRIC WITH STANDING VOLTAGE 1000 VOLTS AC  
INSULATION RESISTANCE: 500 MEGOHMS TERMINAL  
RESISTANCE: 35 MILLIOHMS MAX.  
RATED 250 VOLTS AC MAX. AT 2 AMPS.
3. MATERIAL & FINISH:  
PLASTIC HOUSING: POLYCARBONATE (PC) UL 94V-0  
CONTACT BLADE:  
(1) COPPER ALLOY  
(2) 50 MICRO INCHES GOLD PLATED  
SHIELD: COPPER ALLOY
4. DURABILITY: 1,000 MATING CYCLES

CONFIDENTIAL

© Copyright 2010 Regal Electronics, Inc. This drawing is the property of Regal Electronics and contains confidential information, trade secret information and/or know-how which is the property of Regal Electronics. By accepting this drawing, the recipient agrees not to provide, or otherwise make available, the drawing or any information or know-how embodied therein, to any third party without prior written authorization.

REV	ECO NO.	DATE	BY	APP'D
A	REL TO PRODUCTION PER ECO 001	1/25/10	KL	

DRAWN:	KIM	DATE	1/25/10
CHECKED:		DATE	
ENGINEER:		DATE	
APPROVED:		DATE	
APPROVED:		DATE	
APPROVED:		DATE	

TITLE:		C5 SHIELDED PLUG	
SIZE:	DRAWING NO.	SCALE:	NONE
B	R1003B-8P8CR-C5	REV	A
SHEET 1 OF 1			



C-R1003B-8P8CR-C5