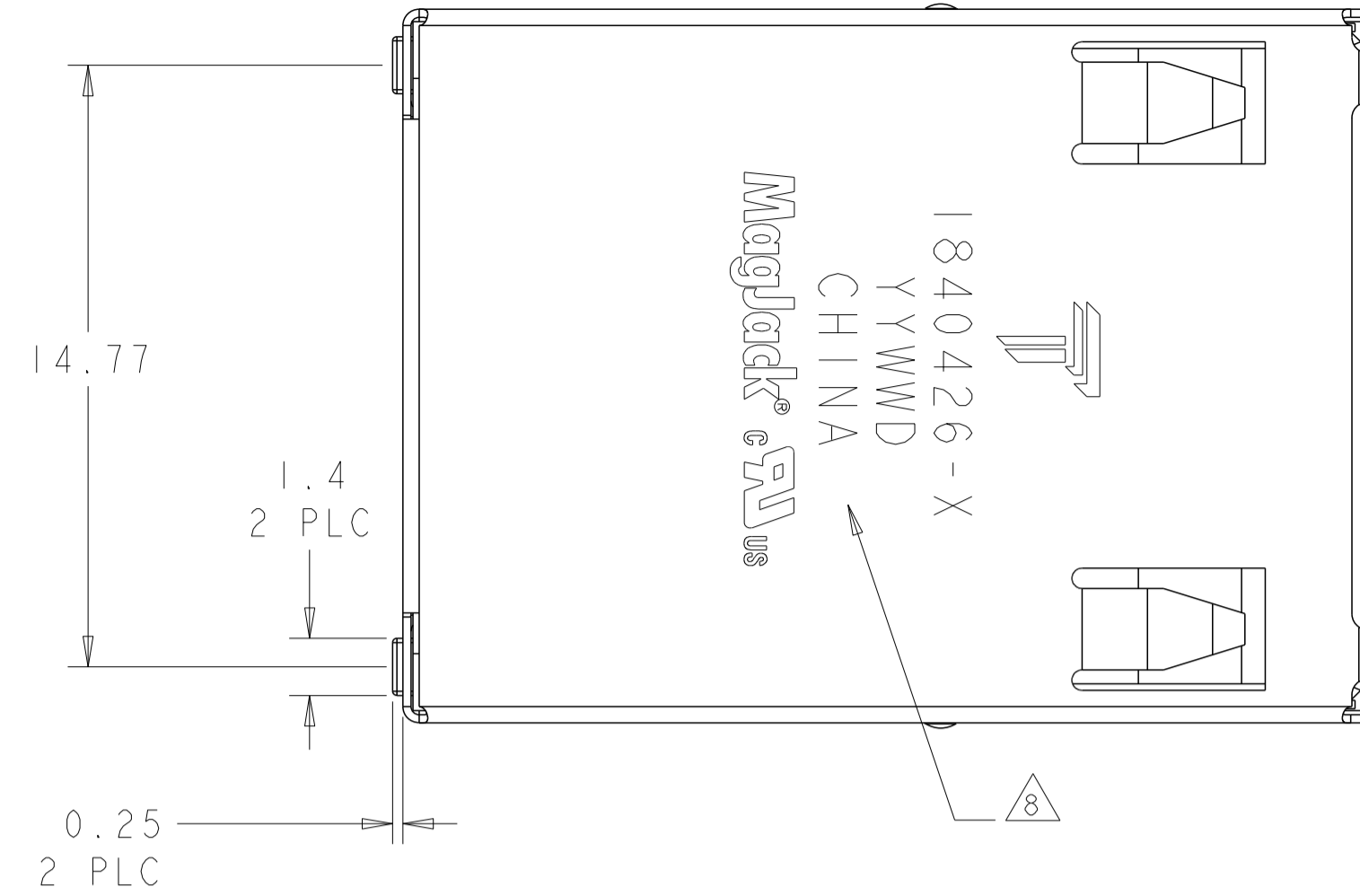
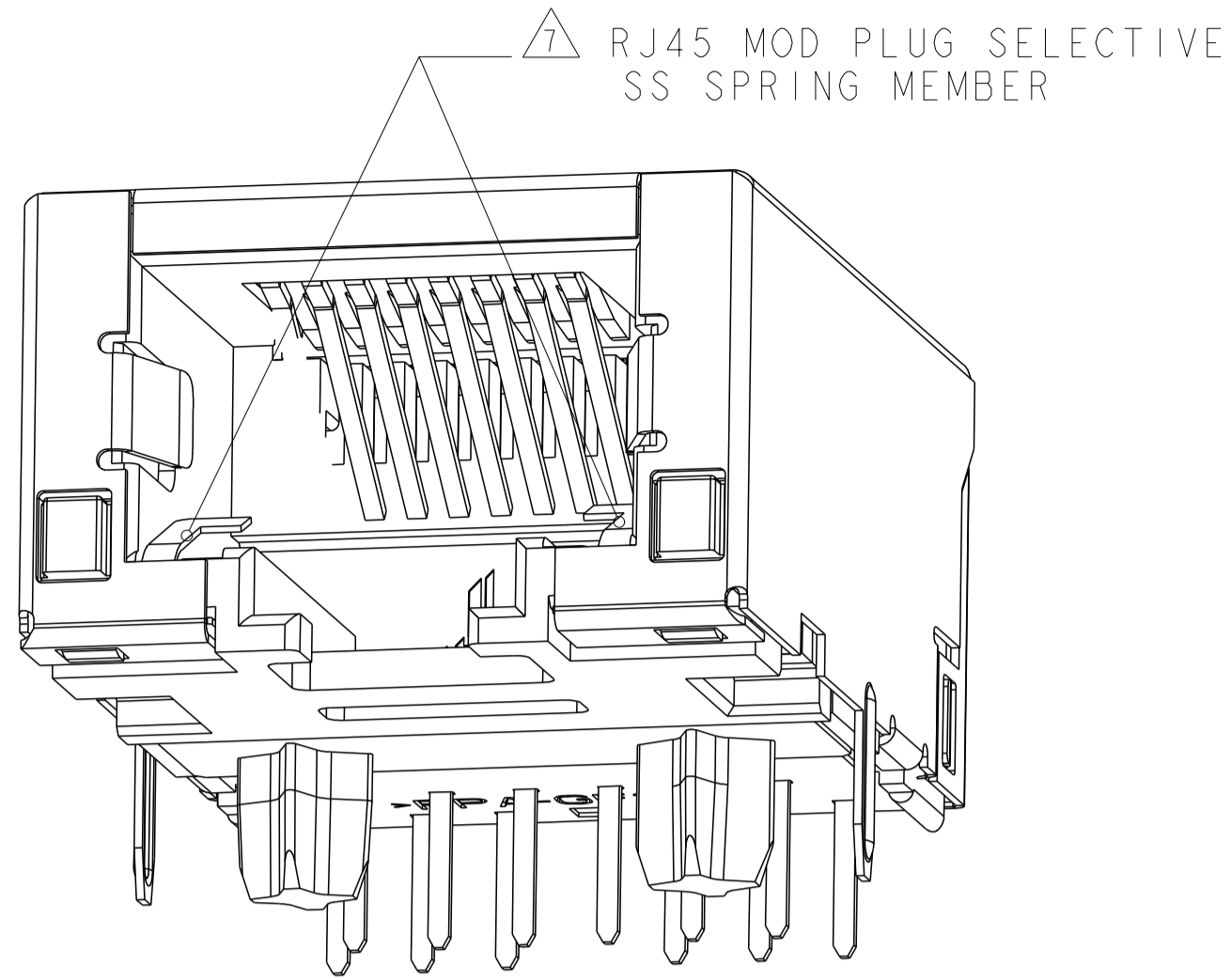


THIS DRAWING AND THE SUBJECT MATTER SHOWN THEREON ARE CONFIDENTIAL AND THE PROPERTY OF BEL/STEWART/TRP CONNECTOR AND SHALL NOT BE REPRODUCED, COPIED, OR USED IN ANY MANNER WITHOUT THE WRITTEN CONSENT OF TRP CONNECTOR.

PRODUCT MAY BE PROTECTED BY ONE OR MORE OF THE FOLLOWING US PATENTS:
 5736910 5939955 6425781 6428361 6554638 6840817 7123117
 7429195 7717749 7808751 6217391 6149050 7924130

REVISIONS				
REV	DATE	DESCRIPTION	BY	APPV
C	24APR2013	LOGO CHANGE	TY	KZ
D	07JAN2015	EC-1411035 COMPANY LOGO CHANGE	TYR	TYN



1. MATERIALS:
 -HOUSING: HIGH TEMPERATURE NYLON, BLACK, UL 94V-0
 -SHIELD: 0.20mm THICK, BRASS PREPLATED WITH 0.76 um MIN SEMI-BRIGHT NICKEL; POST-DIPPED WITH 2 um MIN SAC ALLOY LEAD FREE SOLDER
 -CONTACT TAILS: 0.25mm THICK, PHOSPHOR BRONZE, 1.27 um MIN OVERALL NICKEL UNDERPLATE, 3 um MIN MATTE TIN PLATE
 -MOD JACK CONTACTS: 0.25mm THICK, PHOSPHOR BRONZE, 1.27 um MIN OVERALL NICKEL UNDERPLATE, WITH 0.76 um MIN LOCALIZED GOLD PLATE AT PLUG INTERFACE
 -LIGHT PIPE: POLYETHER SULFONE

2. RJ45 JACK CAVITY CONFORMS TO FCC RULES AND REGULATIONS PART 68, SUB-PART F.

3. MAGNETICS:
 -APPLICATION: 10/100/1000 BASE-T
 -IMPEDANCE: 100 OHMS ±15%
 -TURNS RATIO (CHIP:CABLE): 1:1 ALL 4 PAIRS
 -OPEN CIRCUIT INDUCTANCE (OCL): 350 uH (MIN) @100kHz, 0.1 VRMS
 8 mA DC BIAS FROM 0°C TO 70°C, ALL FOUR PAIRS.
 -ALL FOUR PAIRS BI-DIRECTIONAL
 -PERFORMANCE @25°C:

FREQUENCY	INSERTION LOSS (dB MAX)	RETURN LOSS (dB MIN) CIRCUIT IMPEDANCE = 100 OHMS ±15%	COMMON MODE REJECTION RATIO (dB MIN)	CROSSTALK ATTENUATION (dB MIN)
0.5 MHz-40.0 MHz	1.1	18.0	30	35
40.1 MHz-100.0 MHz		12-20 log(f/80) f IS FREQUENCY IN MHz		33-20 log(f/50) f IS FREQUENCY IN MHz

- ISOLATION VOLTAGE: COMPLIES WITH IEEE802.3.2002, PARA 40.6.1.1, ITEM a AND b

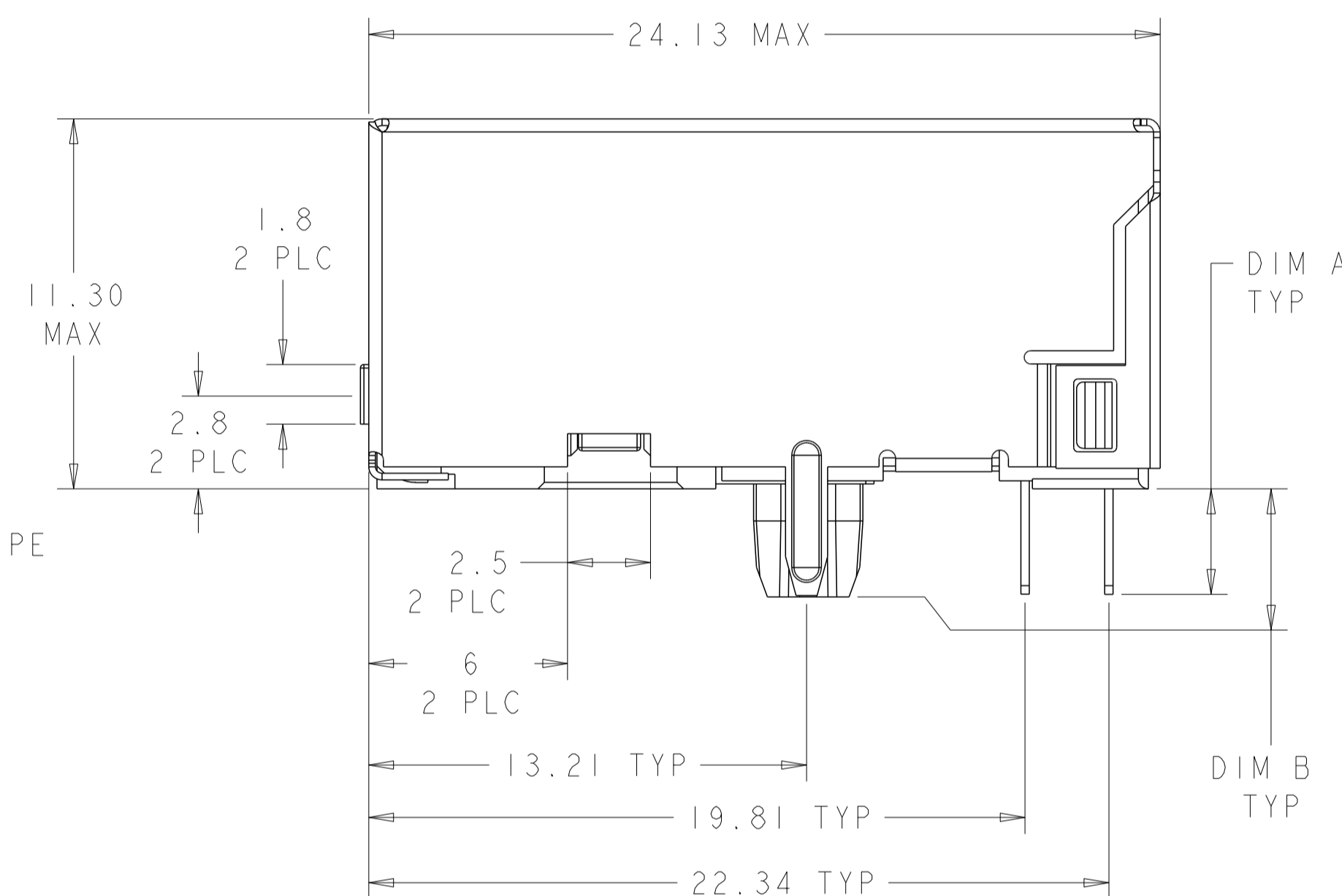
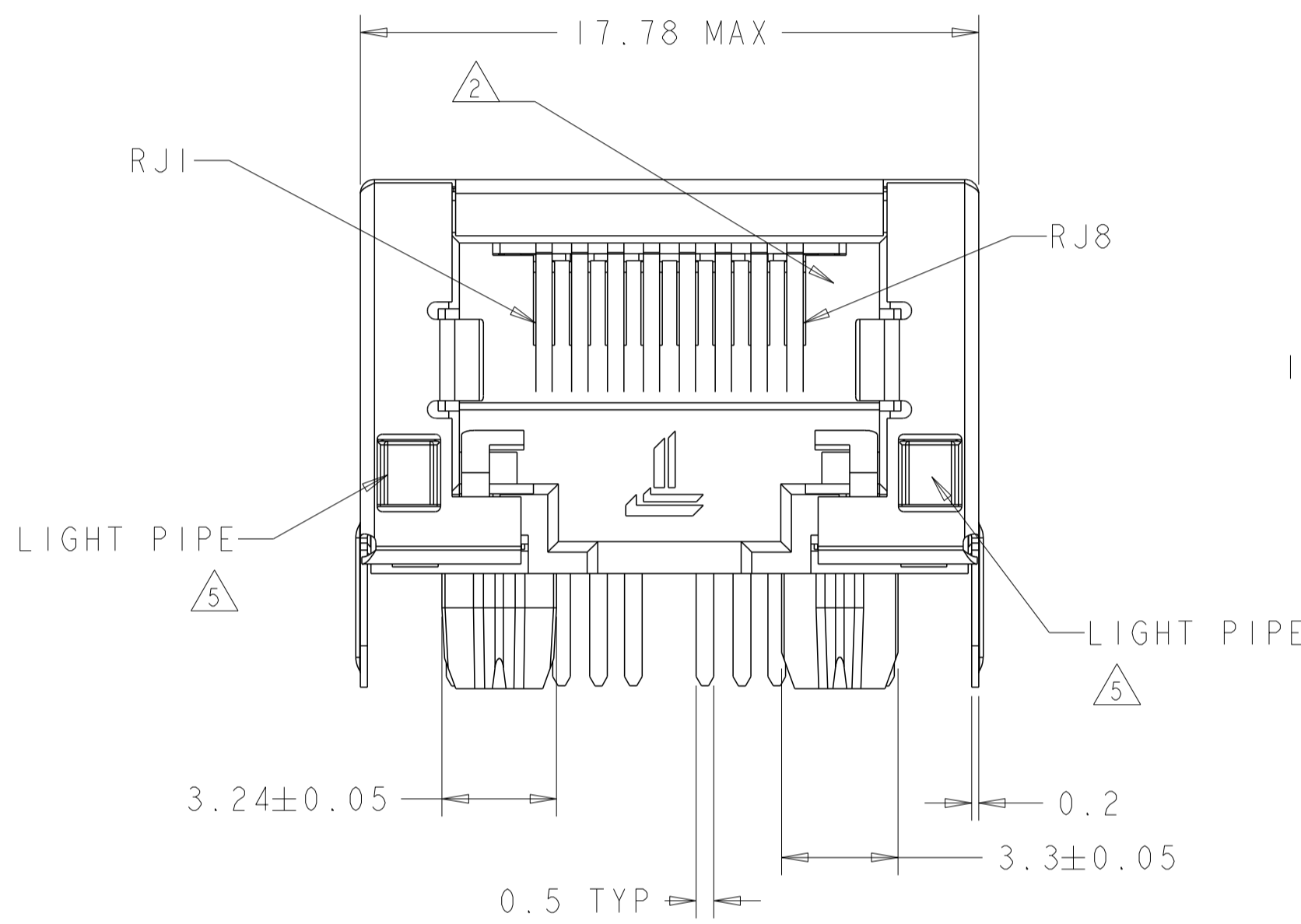
4. OPERATING TEMPERATURE: FROM 0°C TO 70°C
 5. LIGHT PIPES ARE USED TO TRANSMIT LIGHT OF SMD LED'S MOUNTED ON CUSTOMER BOARD.
 6. ALL DIMENSIONS ARE NOMINAL UNLESS OTHERWISE NOTED.
 7. RJ45 MOD PLUG SELECTIVE - THIS CONNECTOR UTILIZES STEEL SPRING MEMBER WHICH PREVENTS THE INSERTION OF A RJ11 (6 POSITION) PLUG INTO THE JACK PORT, WHILE ALLOWING A RJ45 (8 POSITION) PLUG TO MATE FREELY.

WARNING: THIS FEATURE WAS DEVELOPED FOR TYPICAL PLUG INSERTION FORCES. EXCESSIVE INSERTION FORCE MAY OVERCOME THE SELECTIVE FEATURES AND DAMAGE THE CONNECTOR.

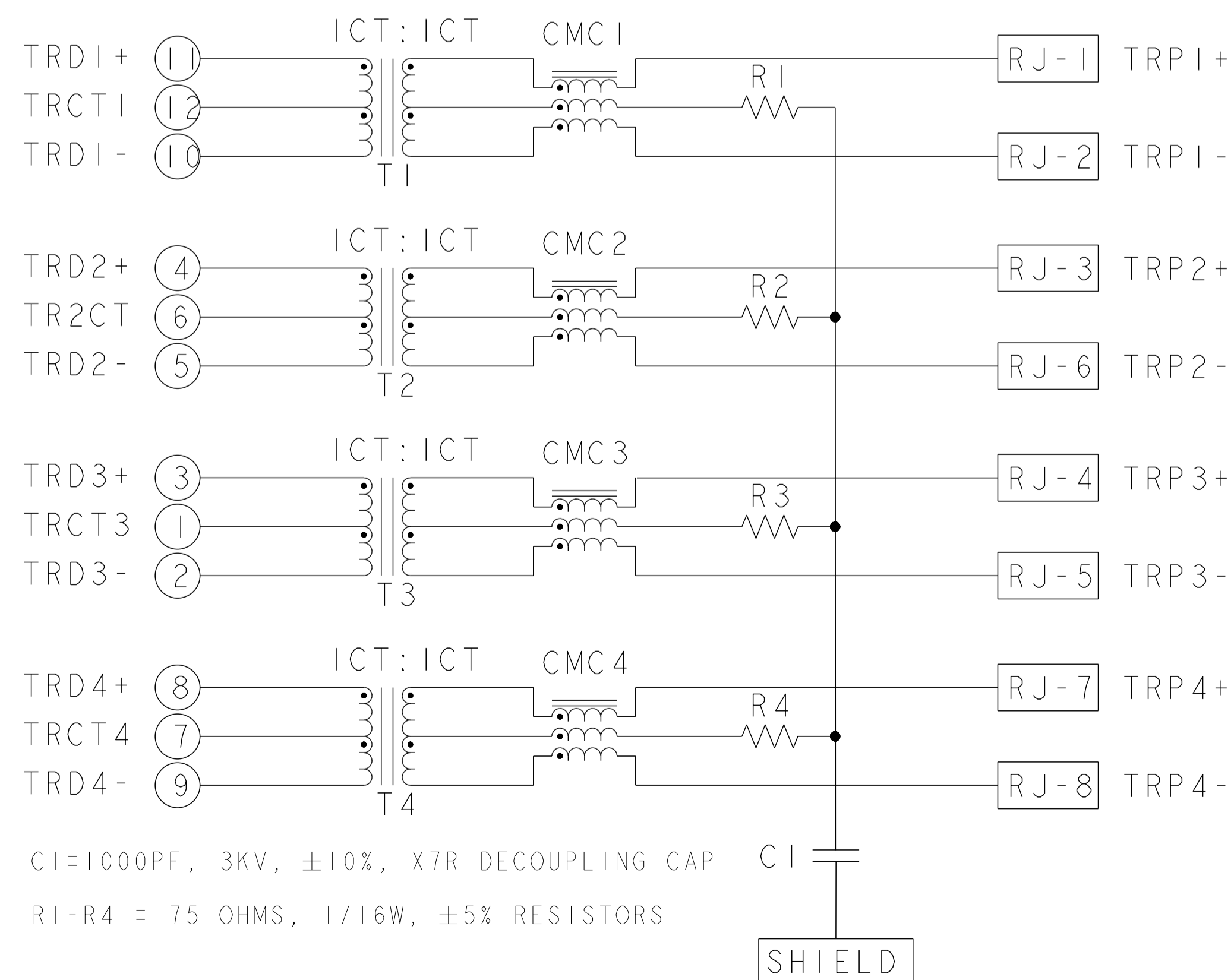
8. TRADEMARK, PART NUMBER, DATE CODE, COUNTRY OF ORIGIN, AND AGENCY APPROVAL MARKING IN APPROXIMATE LOCATION SHOWN

9. 1840426-1 SHOWN UNLESS OTHERWISE NOTED

10. THESE PARTS ARE RECOMMENDED FOR WAVE SOLDERING PROCESS, PEAK SOLDERING TEMPERATURE 260°C MAX, 10 SECONDS MAX.



8G18 GIGABIT CIRCUIT



TRAY	NO	1.8	1.8	1840426-5
TRAY	TOP AND SIDES	3.3	3.18	1840426-4
TAPE AND REEL	TOP AND SIDES	1.8	1.8	1840426-3
TRAY	TOP ONLY	1.8	1.8	1840426-2
TAPE AND REEL	NO	3.3	3.18	1840426-1
PACKAGE METHOD	GROUND TABS	DIM B	DIM A	PART NO.

THIS DRAWING IS A CONTROLLED DOCUMENT.

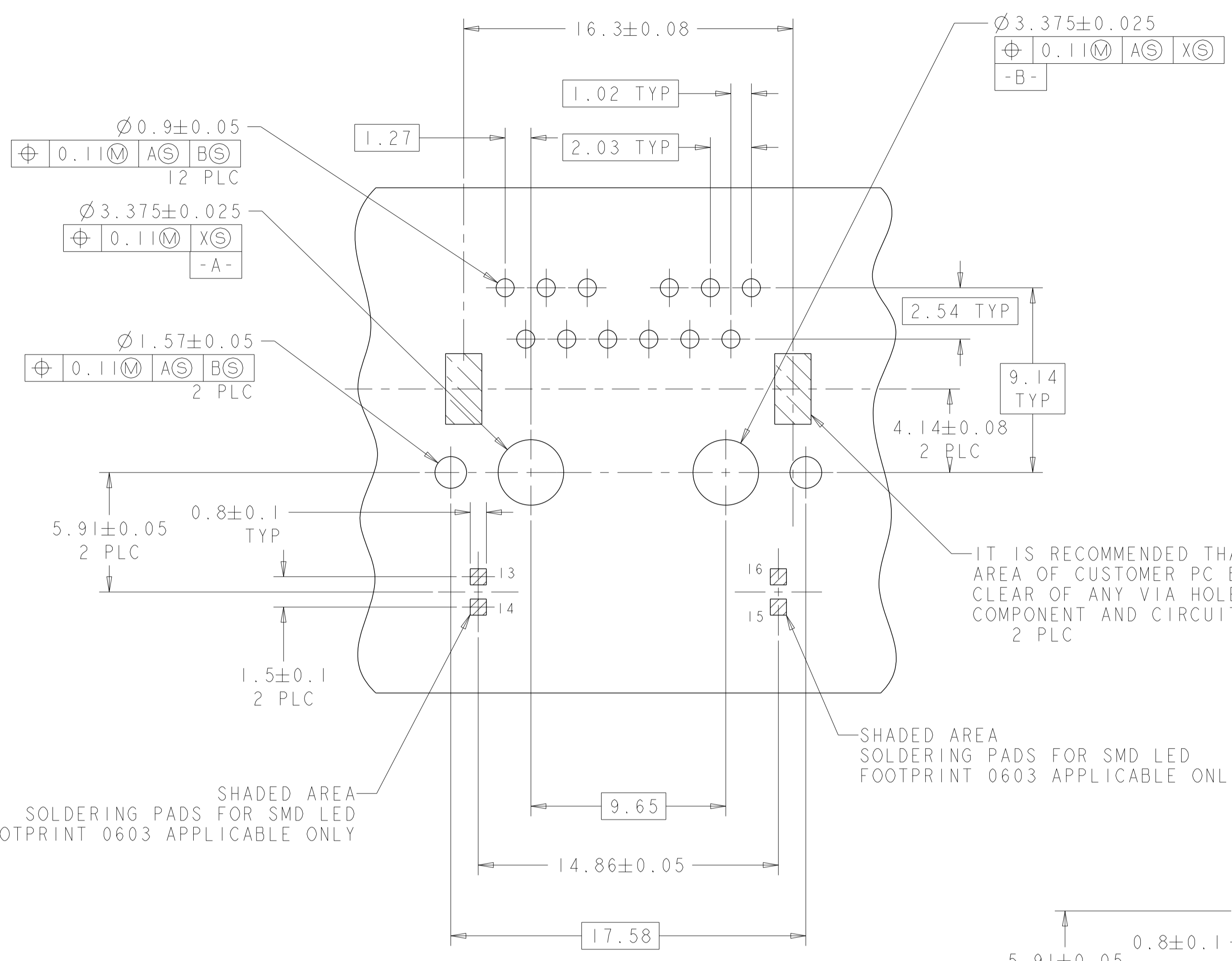
DIMENSIONS: mm	TOLERANCES UNLESS OTHERWISE SPECIFIED:	0 PLC ±0.25	1 PLC ±0.25	2 PLC ±0.25	3 PLC ±0.25	4 PLC ±	ANGLES ±
----------------	--	-------------	-------------	-------------	-------------	---------	----------

PRODUCT SPEC 108-2207

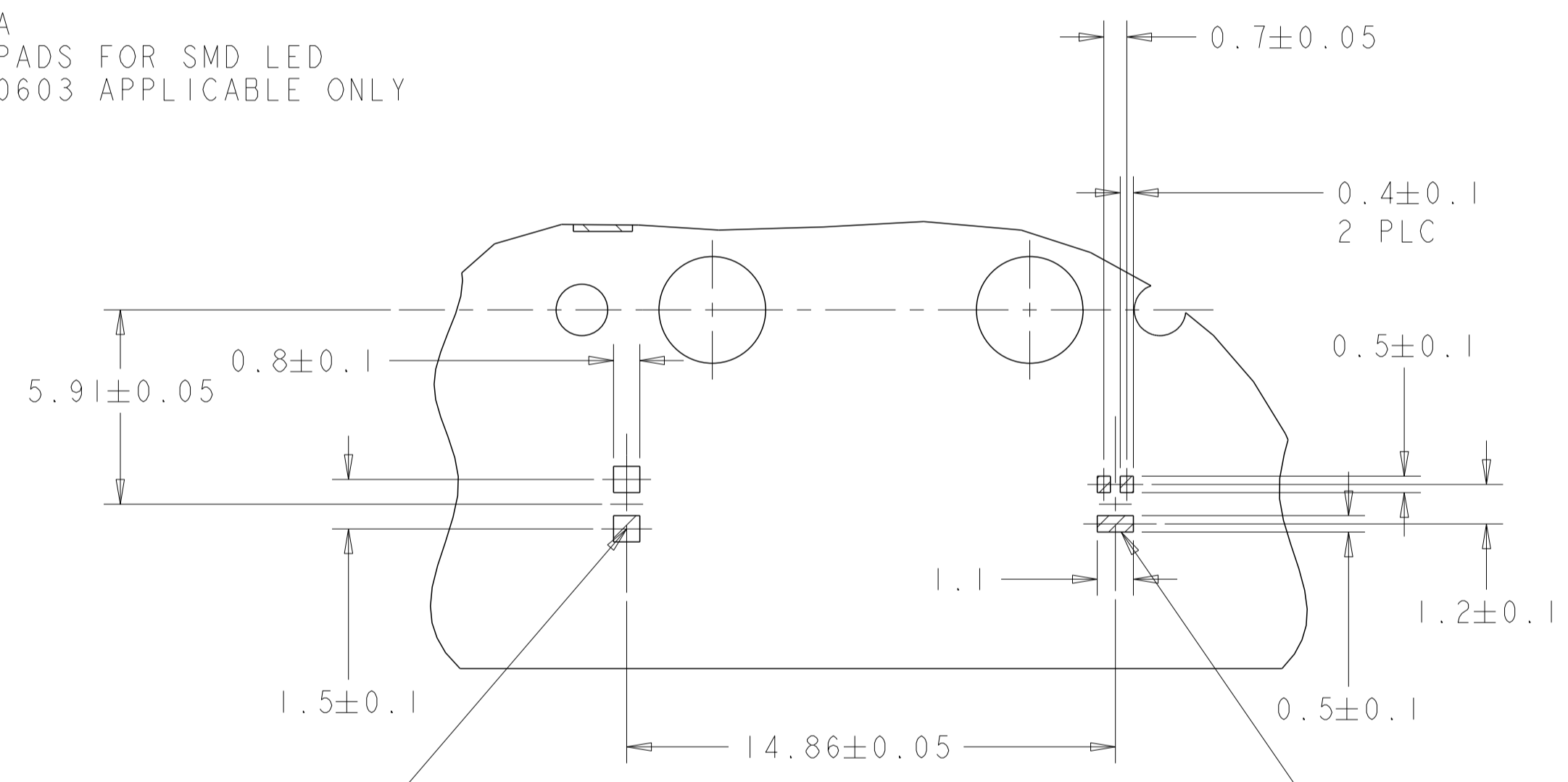
APPROVALS:
 DWG: TOWER YU 18JAN2007
 CHK: KE LTH ZHU 18JAN2007
 APVD: TEDDY XILONG 18JAN2007

MODEL NAME: MAGJACK
 DESC: 1X1 8G18 GIGABIT TAB DOWN LOW PROFILE NO LED W/ LIGHT PIPE
 SIZE: A1
 CAGE CODE: C=1840426
 CUSTOMER DRAWING

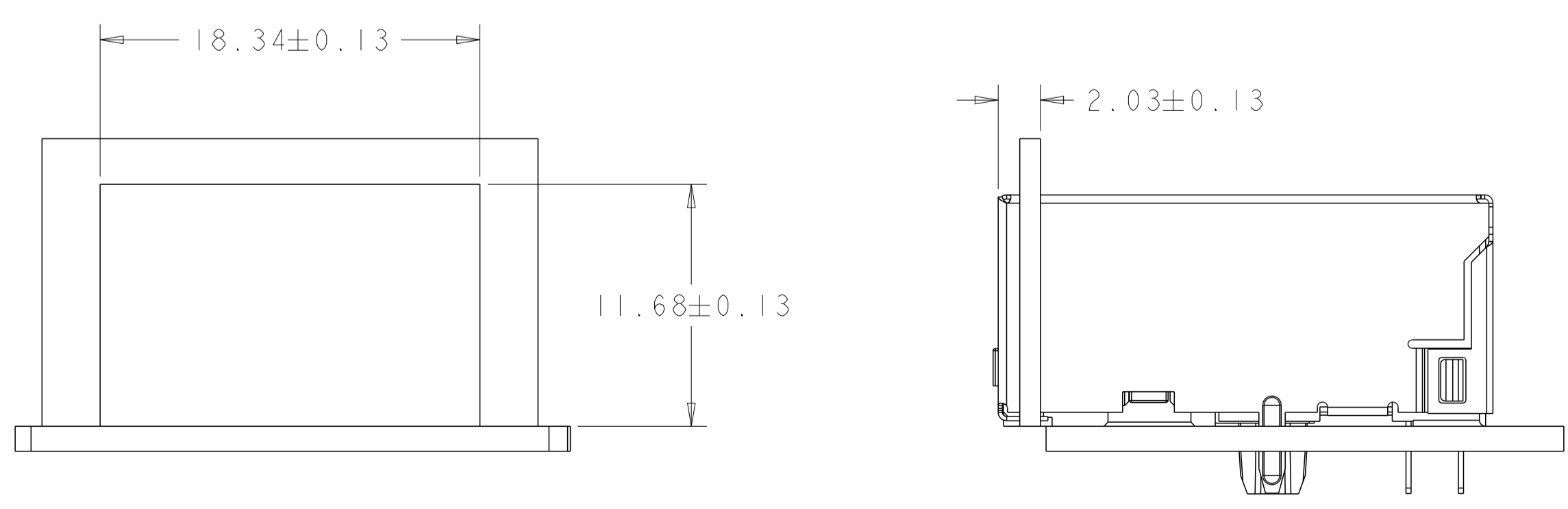
SCALE: 6:1 SHEET 1 OF 2 REV D



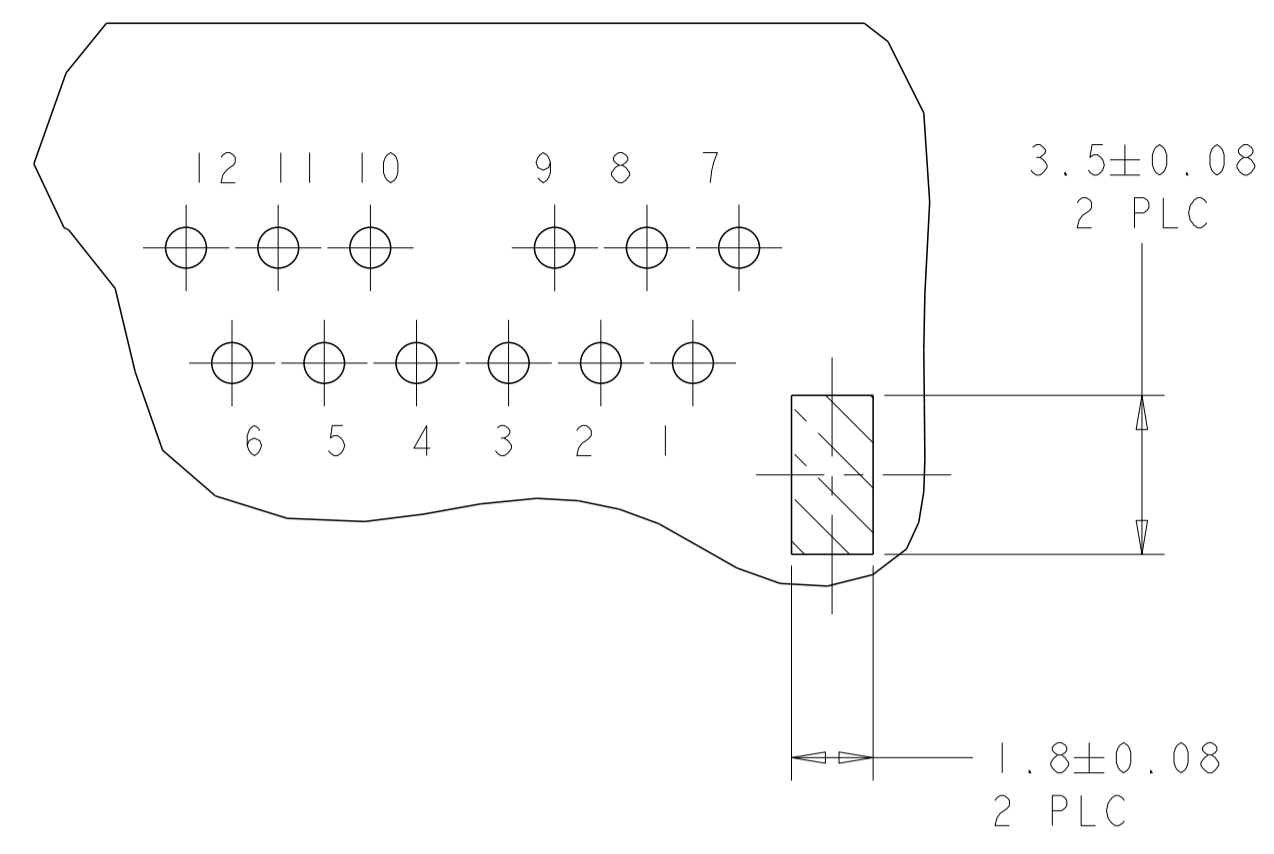
SUGGESTED PCB LAYOUT FOR SINGLE COLOR LED (COMPONENT SIDE)



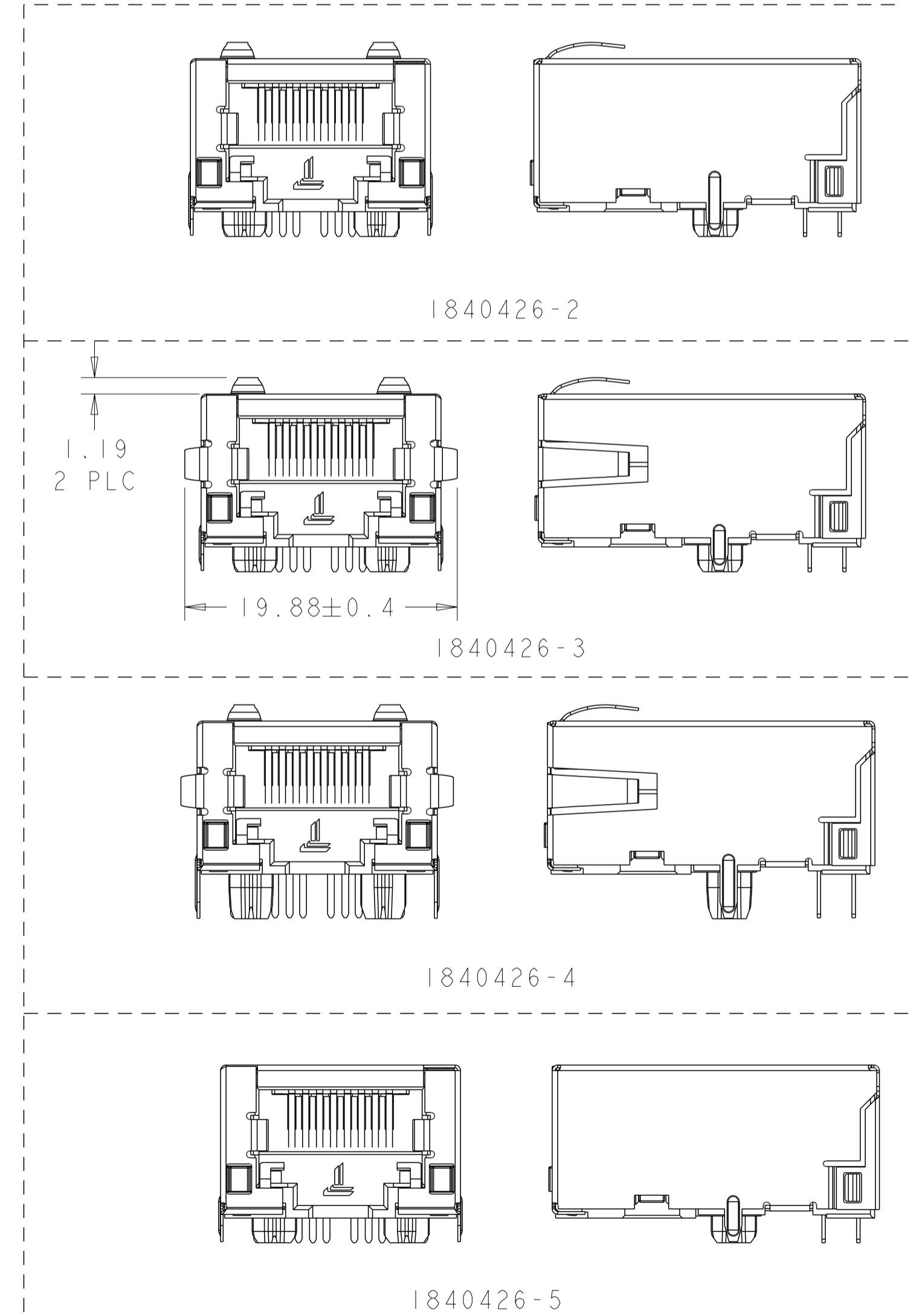
SUGGESTED PCB LAYOUT FOR BI-COLOR LED (COMPONENT SIDE)



SUGGESTED PANEL OPENING



PIN DESIGNATIONS



THIS DRAWING IS A CONTROLLED DOCUMENT.		OWN: TOWER YU 18JAN2007	trp CONNECTOR a bel group DONGGUAN CHINA
DIMENSIONS: mm		CHK: KE LTH ZHU 18JAN2007	
TOLERANCES UNLESS OTHERWISE SPECIFIED:		APP'D: TEDDY XIONG 18JAN2007	DESC: 1X1 8G18 GIGABIT TAB DOWN LOW PROFILE NO LED W/ LIGHT PIPE
0 PLC ±0.25 1 PLC ±0.25 2 PLC ±0.25 3 PLC ± 4 PLC ± ANGLES ± APPLICATION SPEC ±		MODEL NAME: MAGJACK	SIZE: A1
PRODUCT SPEC: 108-2207		CAGE CODE: 1840426	RESTRICTED TO: -
		CUSTOMER DRAWING	SCALE: 1:1 SHEET 2 OF 2 REV D