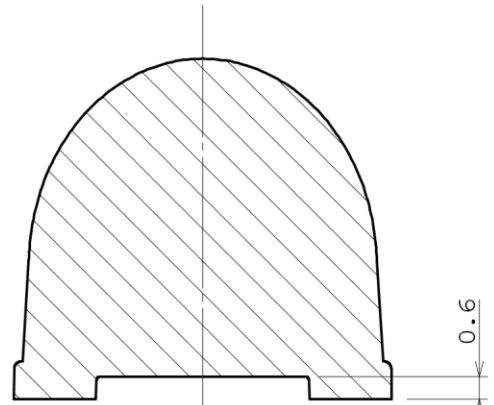
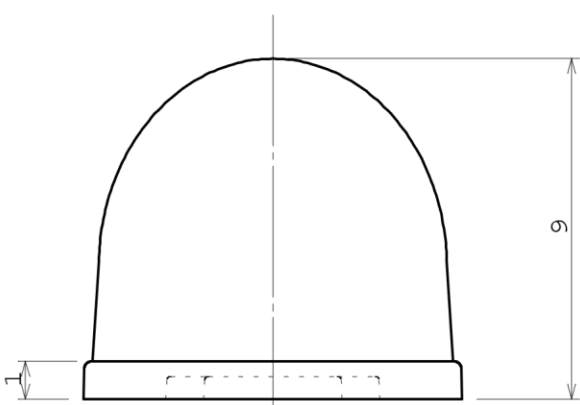
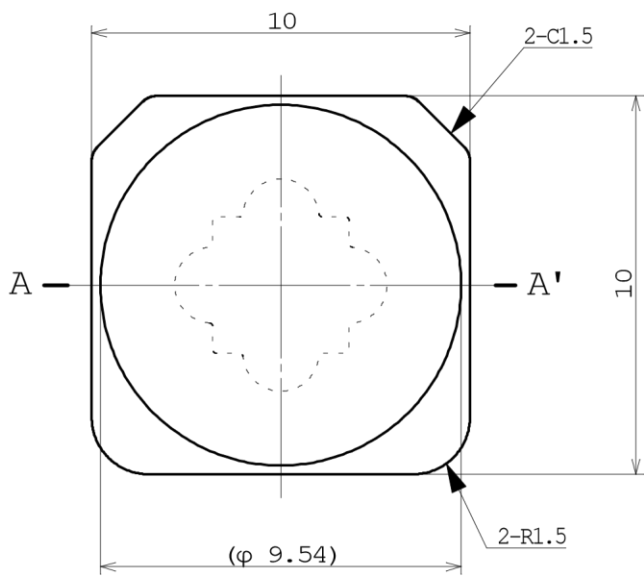
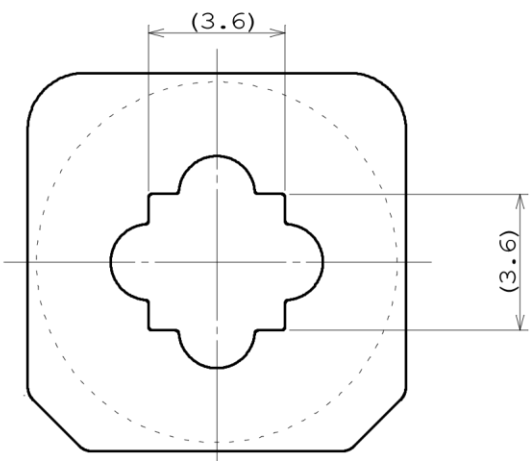


O	SPECIFICATIONS <仕様図>	SURFACE TREATMENT <表面処理>	SYM	DATE	REVISION	REVR	APPR
	REFERENCE <参考図>	HEAT TREATMENT <熱処理>	△ ¹ x				
		FINISH <仕上げ>	△ ² x				



A-A'断面
A-A' Section



NOTE)

・一般寸法公差：下記C公差を適用

General dimensional tolerance: Range C

100
90
80
70
60
50
40
30
20
10

TOLERANCE UNLESS SPECIFIED			
RANGE	A	B	C
LESS THAN 6	±0.2	±0.1	±0.1
OVER 6 TO 20	±0.3	±0.2	±0.1
OVER 20 TO 50	±0.5	±0.3	±0.2
OVER 50 TO 100	±1.0	±0.5	±0.3
OVER 100 TO 300	±2.0	±1.0	±0.5
OVER 300 TO 500	±5.0	±2.5	±1.0
ANGLE	±2°		

ORIGINAL DATE 2021/07/07	MATERIAL (COMPOUND) Silicone rubber	TITLE DK-22M-233
SCALE 5:1	COLOR Clear	DRAWING NO. 21070704E
UNIT mm	HARDNESS A80	DESIGN T.Motoyanagi
SIZE A4	3RD ANGLE SYSTEM	DRAWN T.Motoyanagi
<p>ASAHI RUBBER INC. 株式会社朝日ラバー</p>		CHECKED S.Endo
		APPROVED E.Ishiguro

◆ASA COLOR LENS

Part number : DK-12M-233 / DK-22M-233

Initial Properties

1. Physical Properties

Items	Materials : ASR-A80MC
Color	Transparent
Hardness JIS Type A	A80/S±5
Total light transmittance(t=2mm)	90% and more
Refractive index (25°C) (D-line 589 nm)	1.41±0.03

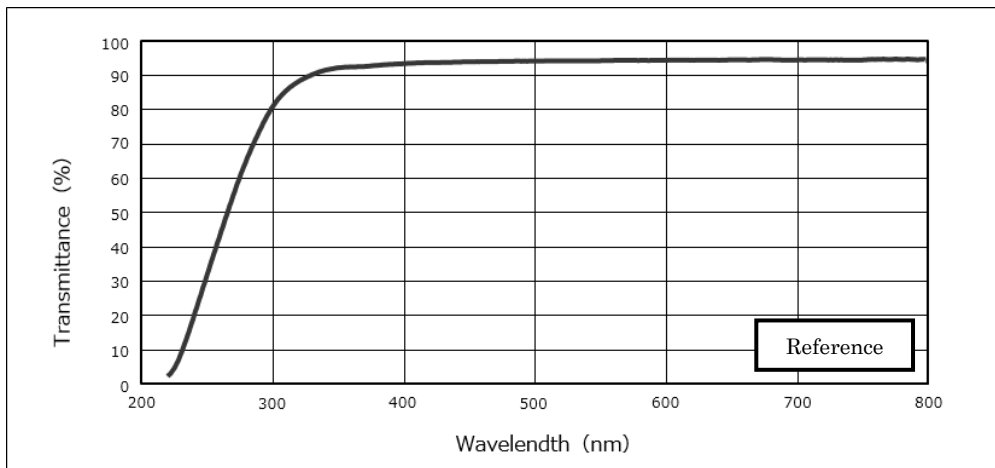


Figure1. Total light transmittance of ASR-A80MC (t=2mm)

2. Light Distribution Data

