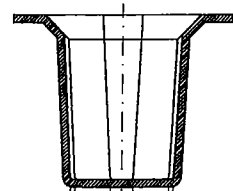
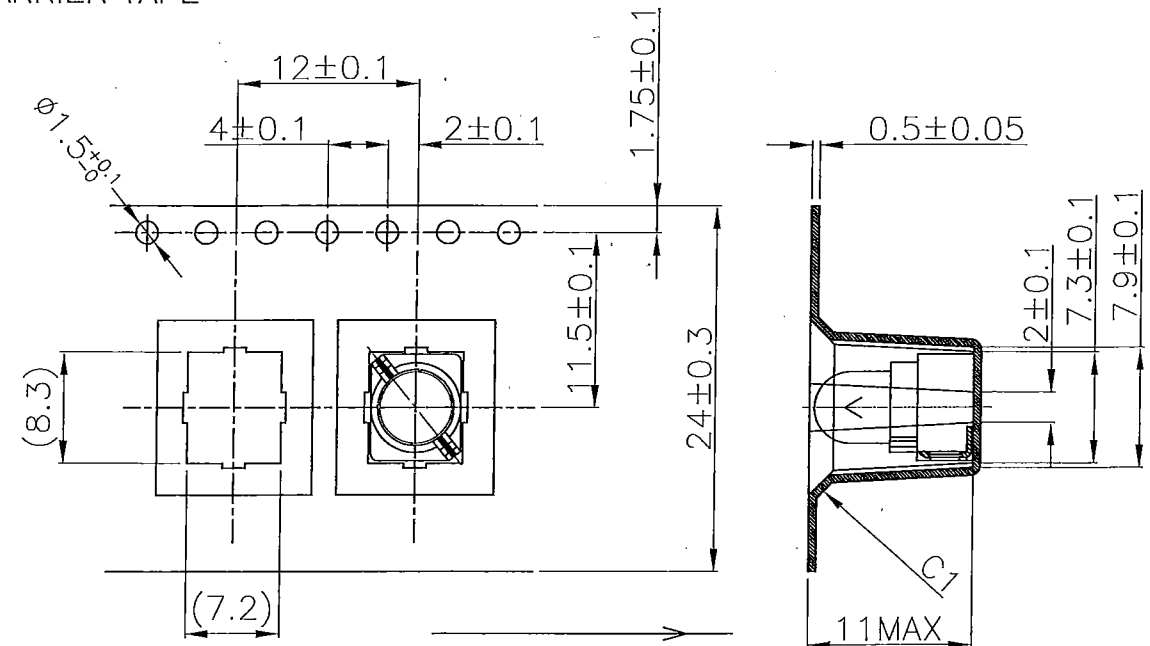
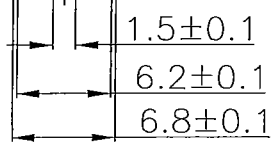


REVISIONS			
LET	DESCRIPTION	BY	DATE
A	ADD.	T.I	140501
B	ADD.	T.I	140521
C	Change	T.I	140620
D	DWG&QUANTITY Change	T.I	140711

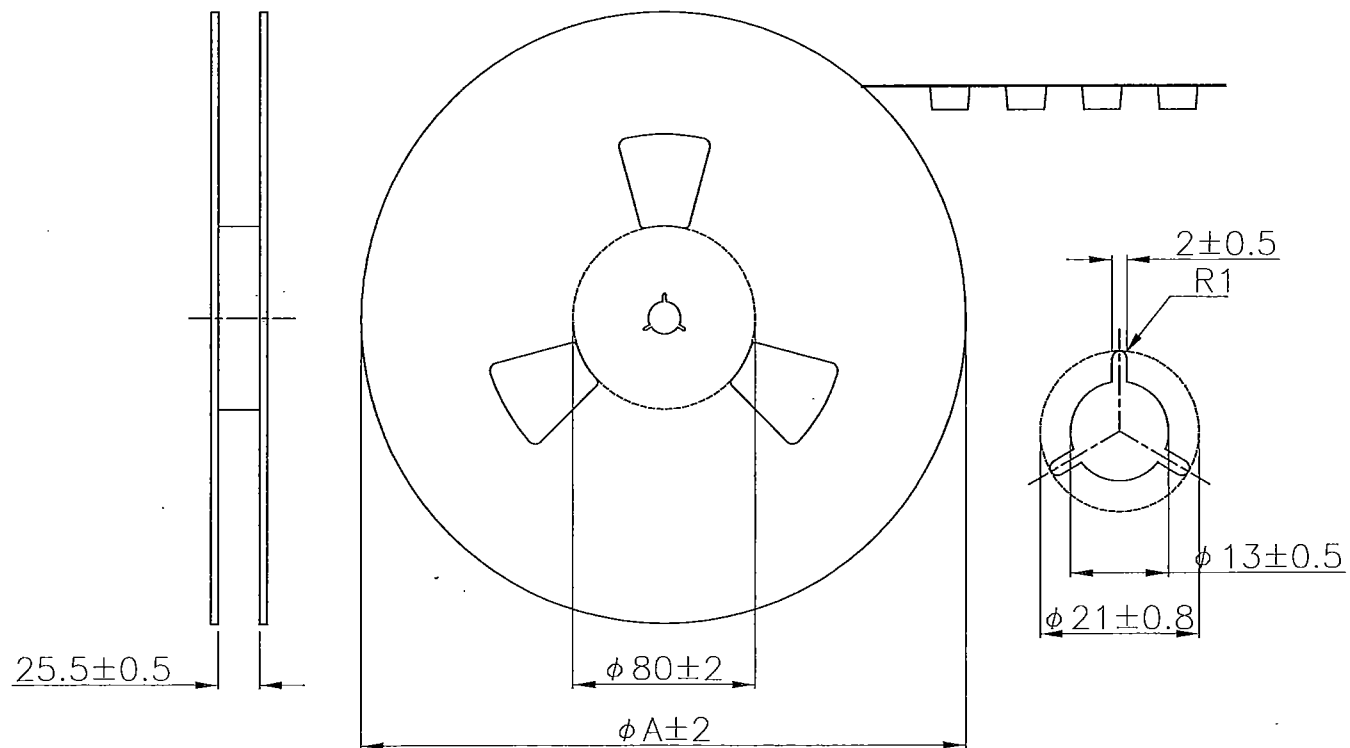
CARRIER TAPE



DIRECTION OF FEED

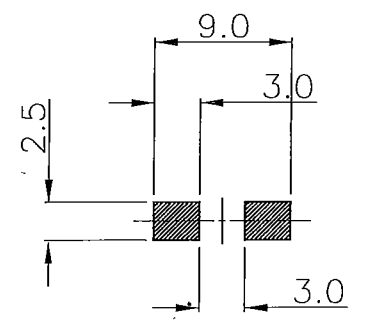
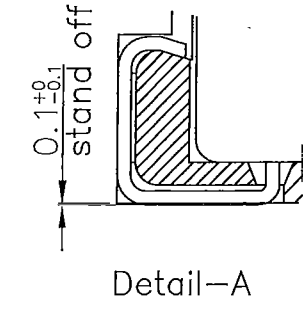
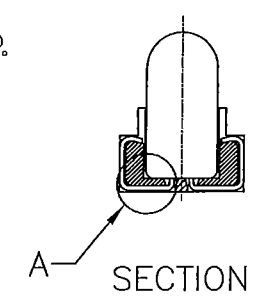
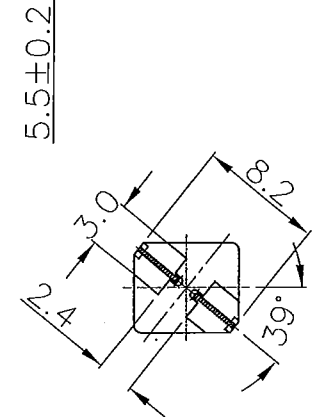
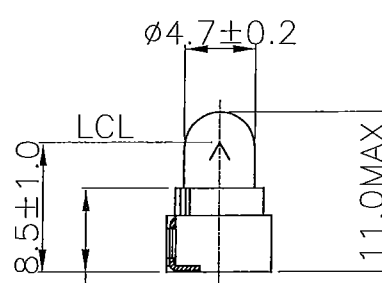
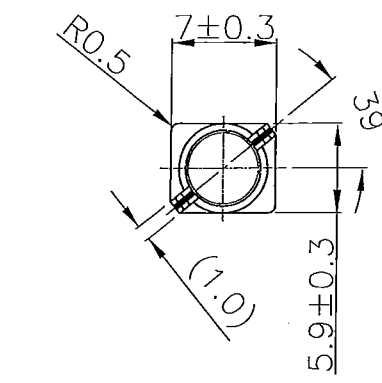


REEL



D PACKAGE QUANTITY

DIAMETER	QUANTITY PER REEL
A	700
380	



RECOMMENDED PATTERN SOLDER PATTERNS

P/No. OL-8918SMC/V-806114

- DESIGN VOLT 14V
- DESIGN AMP 100mA±10%
- BRIGHTNESS 0.5MSCP±25%
- A COLOR TEMPERATURE 2,400K(Approx)
- FIRAMENT SHAPE C-2V
- A BASE COLOR IVORY
- A AVERAGE LIFE 5,000HRS



- A NOTE 1. BASE MATERIAL PPS
- 2. LAMP LEAD DIA 0.3 (TIN PLATED)
- B 3. TOLERANCE ON : ONE PLACE DECIMALS ±0.3
TWO PLACE DECIMALS ±0.15

SCALE	UNIT	MATERIAL		
2/1	m.m			
TITLE		DATE		
T-11/2SMC/V LAMP		140711		
DRAWN		CHECKED	APPROVED	
T.I		T.Y	T.A.K.A	
D.W.G.NO.		REV.		
806114				

