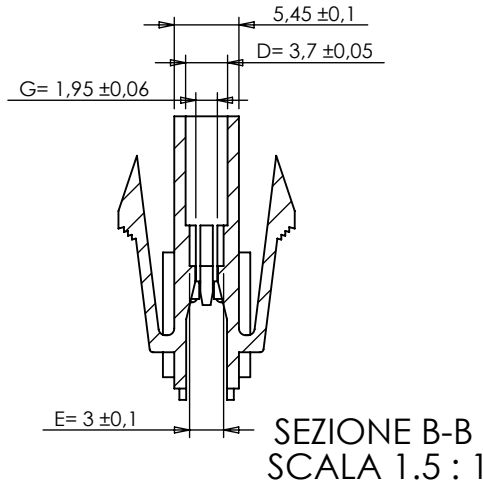
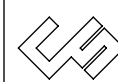


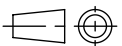
Spessore lamiera 0,8 - 2 mm



INDEX	MODIFICATION	DATE



**COLOMBO SERGIO e Figli S.r.l.**  
20063 CERNUSCO S/N - VIA COMO, 11  
TEL +39.02.9210.7404 - FAX +39.02.9210.0217  
<http://www.cscolombo.com> - e-mail: [info@cscolombo.com](mailto:info@cscolombo.com)



CHECKED BY		DATE	DESIGN UNITS
Stefano Galimberti		15-02-2012	METRIC
DRAWN BY		DATE	WEIGHT
Stefano Querzoli		15-02-2012	
SCALE	CAD REFER	SIZE	INDEX 0
1.5:1	Y:\dis\es\mft\mftxxf\mftxxfa sec lock\tavole\	A4	15-02-2012
BASE CODE		DESCRIPTION	
CS-MFT12FA		MFT FEMALE CONNECTOR FOR PANEL, 1X2 POLES	

DIMENSIONS WITHOUT TOLERANCES		CS-MFT12FAV0	PA66 UL94 V-0
∠ ±2°	0 - 6	±0.1	CS-MFT12FAV0750NF PA66 UL94 V-0 GWIT 775
	6 - 30	±0.2	CS-MFT12FA-G PA6 UL94 V-2 GWIT 775
	> 30	±0.3	PART NUMBER MATERIAL

E

D

C

B

A

1

2

3

4