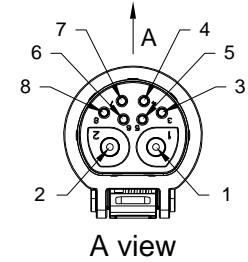
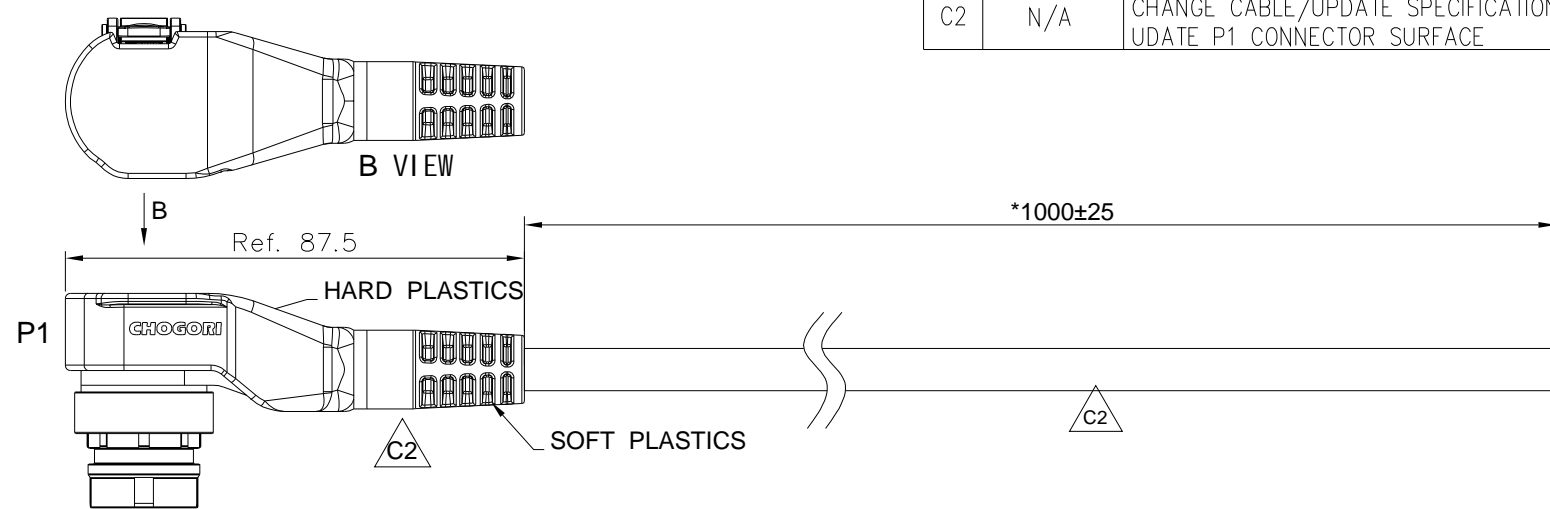


REV.	ECN NO.	DESCRIPTION	SIGN	DATE
C1	N/A	INITIAL DRAWING	Hu Zhou	2022.06.24
C2	N/A	CHANGE CABLE/UPDATE SPECIFICATIONS/ UPDATE P1 CONNECTOR SURFACE	Kevin_Rdz	2022/08/09



**SPECIFICATIONS&TEST REQUIREMENTS** △C2

- 1.TEMPERATURE RATING:-10℃~105℃
- 2.CURRENT RATING :2\*15A+6\*2A
- 3.VOLTAGE RATING:72V DC
- 4.INSULATION RESISTANCE:20MΩ@500VDC,1MIN
- 5.DIELECTRIC WITHSTANDING VOLTAGE:500VAC, 1MIN
- 6.MATING CYCLE:10000CYCLES.
- 6.WATERPROOF RATING:IP67(MATING).
- 7.ROHS COMPLIANT.

2	900-00601-00140	A/R	M	RVV CABLE 2CX2.5mm <sup>2</sup> +4cx0.14mm <sup>2</sup> BLK OD9.0
1	13206134-10-001	1	PC	KR Series 2+6 left Latch Lock 90° Overmoding Plug
ITEM	CHOGORI P/N	QTY	UNIT	DESCRIPTION

UNIT:mm		DESCRIPTION: KR Series 2+6 left Latch Lock 90° Overmoding Cable Assm.
TOLERANCE: ±1	SCALE: 1:1	SHEET 1 OF 1
	REV. C2	SIZE A4 * :Inspection Item

**CHOGORI**<sup>®</sup>

PART NO	11C03621112307	DRAWN BY	Kevin_Rdz	DATE	2022/08/09
DWG NO	11C03621112307	CHECKED BY	Kevin_Rdz	DATE	2022/08/09
CUSTOMER		APPROVED BY	Eric	DATE	2022/08/09

THIS INFORMATION IS CONFIDENTIAL AND IS DISCLOSED TO YOU ON CONDITION THAT NO FURTHER DISCLOSURE IS MADE BY YOU TO OTHER THAN CHOGORI PERSONNEL WITHOUT AUTHORIZATION FROM CHOGORI CORP.