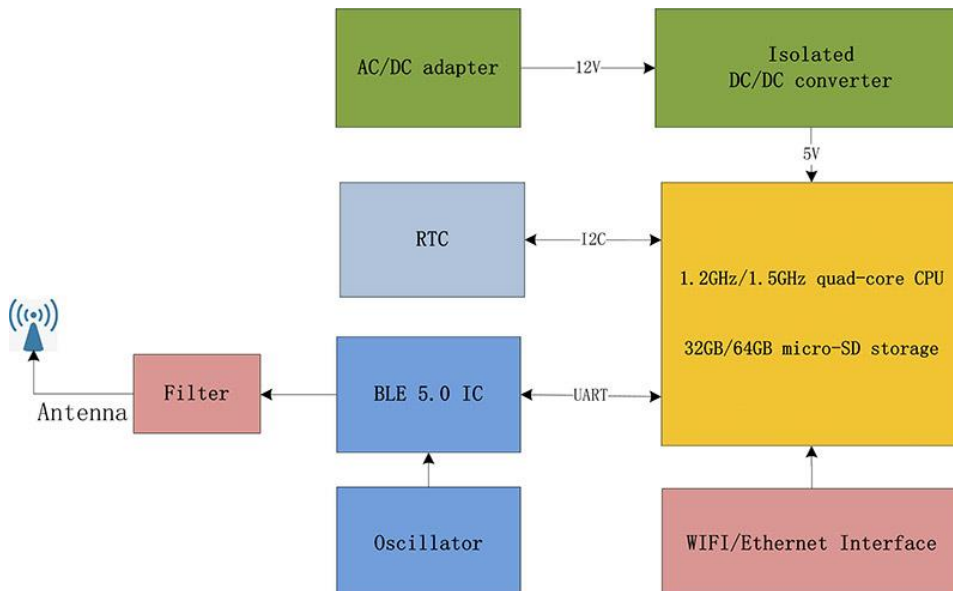


Broadsens wireless gateway connects and controls multiple wireless low power sensors such as SVT200-A, SVT200-V and SVT100-T. The gateway includes a microcontroller for real-time data visualization. It integrates a time-series database InfluxDB for data review and export. Vibration analysis software BroadVibra is installed at the gateway for time-domain and frequency domain vibration analysis. Data can be further transferred to user's private clouds or servers via MQTT protocol. The gateway can be accessed with a web browser, so there is no software installation required and it is ready to use immediately.



Wireless gateway GU200

Models	GU200	GU200S
Microcontroller	ARM Cortex-A53 1.2Ghz 64 bit	ARM Cortex-A72 1.5Ghz 64bit
Operating system	Linux Debian 64 bit	
RAM	1GB	2GB, 4GB or 8GB
Data storage	32GB, integrated database	32GB/64GB, integrated database
Network interface	WIFI/Ethernet	WIFI/Gigabit Ethernet, extended range to wireless sensors
Sensor interface	2.4GHz ultra low power wireless protocol (FCC/IC approved)	
Number of wireless sensors	Recommended usage: Up to 4 SVT200-V real-time vibration monitoring sensors, and 60 SVT200-A vibration sensors for predictive maintenance	
Power supply	9-18 VDC	
Power consumption	10W	15W
Weight	580g (1 lb 4 oz)	
Size (L*W*H)	141*127*30 mm (5.55*5*1.18 inch)	
Working environment	Temperature: -30°C~60°C (-22°F~140°F); humidity: 10%~90%RH	
Additional features	Real-time hardware clock with battery backup; Over-the-Air firmware OTA secure firmware update, 1-click BroadVibra software update, USB interface	



## Gateway features

- Plug & Play
- Sensor grouping
- Large storage
- Data visualization
- Vibration analysis
- Easy upgrade
- Web interface
- MQTT control
- FFT analysis
- Advanced filtering

## Broadsens

- ✓
- ✓
- ✓
- ✓
- ✓
- ✓
- ✓
- ✓
- ✓
- ✓

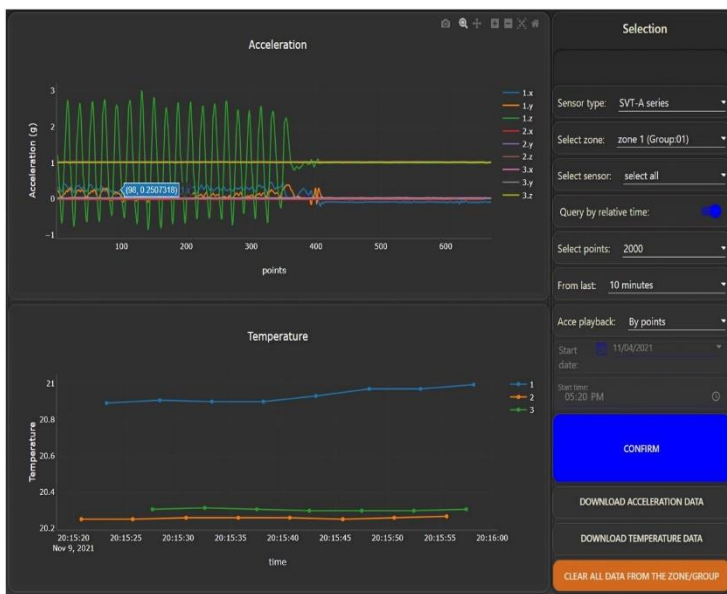
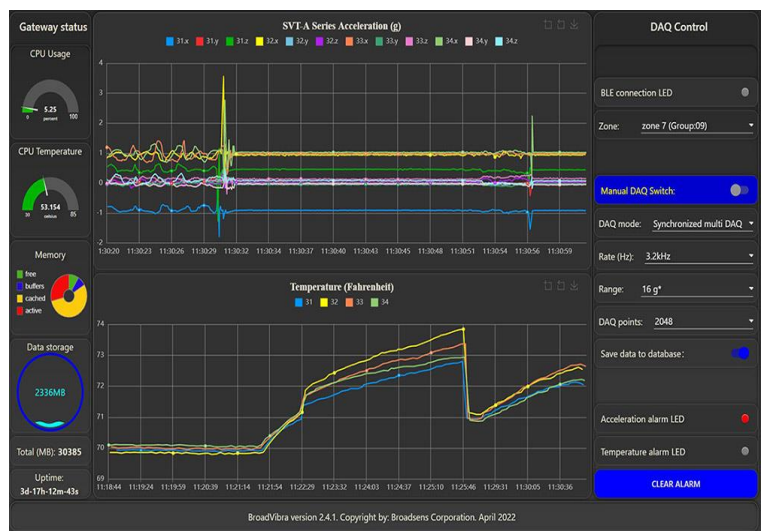
## Other gateways

- ✗
- ✗
- ✗
- ✗
- ✗
- ✗
- ✗
- ✗
- ✗
- ✗



## BroadVibra Software

BroadVibra software is installed inside the wireless gateway. The software has intuitive interface and can be accessed from all major web browsers remotely. The software is ideal for predictive maintenance and conditional based monitoring



## Software Advantages

- Data visualization
- Real time monitoring
- Alarm setup
- Threshold adjustment
- Monitoring timer
- Data replay
- Vibration trend analysis
- FFT analysis
- Parameter adjustment
- Firmware update
- Secure data
- Filtering

**“BroadSens, sense the broader world”**

**Website:** [www.broadsens.com](http://www.broadsens.com)

**Sales:** [sales@broadsens.com](mailto:sales@broadsens.com)

**Support:** [support@broadsens.com](mailto:support@broadsens.com)

## USA Headquarter

• 1601 McCarthy Blvd, Milpitas, CA, 95035

## China Offices

• 1707-A066, No.9 North Fourth Ring West Rd, Beijing

• Rm 803, No.152, Huixin Rd, Nanhu District, Jiaxing