

MATERIALS & SPECIFICATIONS

INSULATOR:

THERMOPLASTIC PER MIL-M-24519, TYPE GLCP-30F OR GST-40F NATURAL

CONTACT:

BERYLLIUM COPPER PER ASTM B194, C17200. GOLD PLATED PER ASTM B488, (HARD GOLD) TYPE II CODE C CLASS 1.27 (CONTACT MATING AREA ONLY)

TERMINATION:

SOLDER COATED PER J-STD-006 OR PLATED PER AMS-P-81728

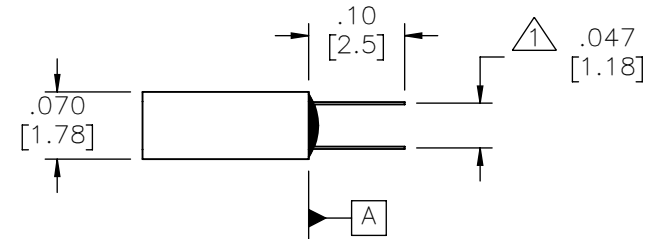
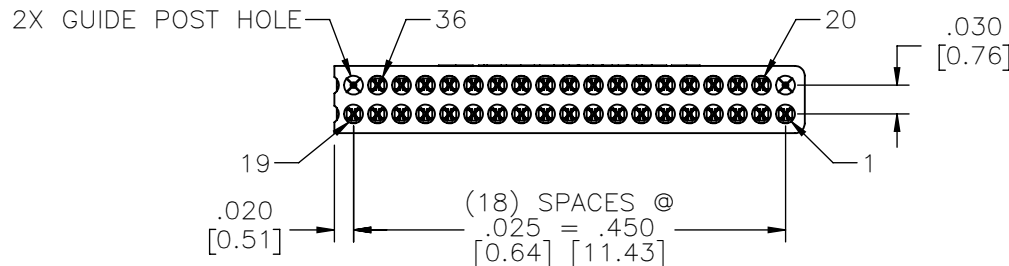
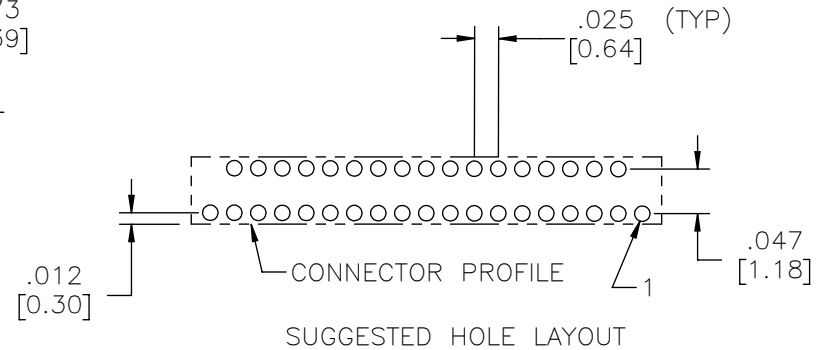
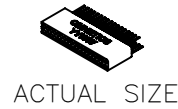
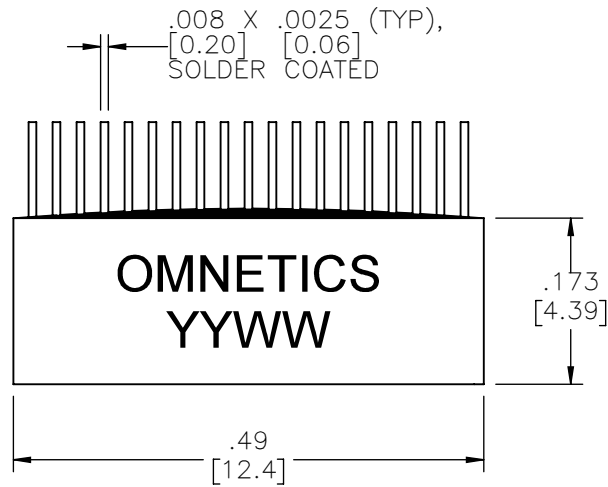
CURRENT CAPACITY:

1 AMP MAX PER MIL-DTL-32139

CONTACT RESISTANCE:

71 MILLIOHMS (71mV) MAX @ 1.0 AMPS PER MIL-DTL-32139

PART NO.	A79046-001	REV	ECO	DATE	APP
		C	103794	09-01-17	HV



NOTES:

△ TAIL DIMENSIONS APPLY AT PLANE A

DIMENSIONS IN [ ] ARE IN MILLIMETERS UNLESS OTHERWISE NOTED AND ARE FOR REFERENCE ONLY

MFG	THIRD ANGLE
	-TOLERANCES-
	UNLESS OTHERWISE NOTED
	DIMENSIONS IN INCHES
2	PL DEC ± .01
3	PL DEC ± .005
4	PL DEC ± .0005
	ANGLES ± 1°

THIS DRAWING CONTAINS CONFIDENTIAL AND PROPRIETARY INFORMATION WHICH IS THE PROPERTY OF OMNETICS CONNECTOR CORP. THIS DOCUMENT MAY NOT, IN WHOLE OR IN PART, BE DUPLICATED, OR DISCLOSED FOR ANY PURPOSE, WITHOUT WRITTEN PERMISSION FROM OMNETICS CONNECTOR CORP.	
DFTM. DGJ	DATE 09-12-11
CHK'D.	DATE
APP'D.	DATE

TITLE:  
(36) PIN MALE NANO  
DUAL ROW CONNECTOR  
W/GUIDE POST HOLES

**OMNETICS**  
CONNECTOR CORPORATION  
7260 COMMERCE CIRCLE EAST  
MINNEAPOLIS, MN 55432  
WWW.OMNETICS.COM

CAGE CODE 61873	
DWG NO. A79046-001	
SHEET 1 OF 1	REV C
SCALE: 5:1	