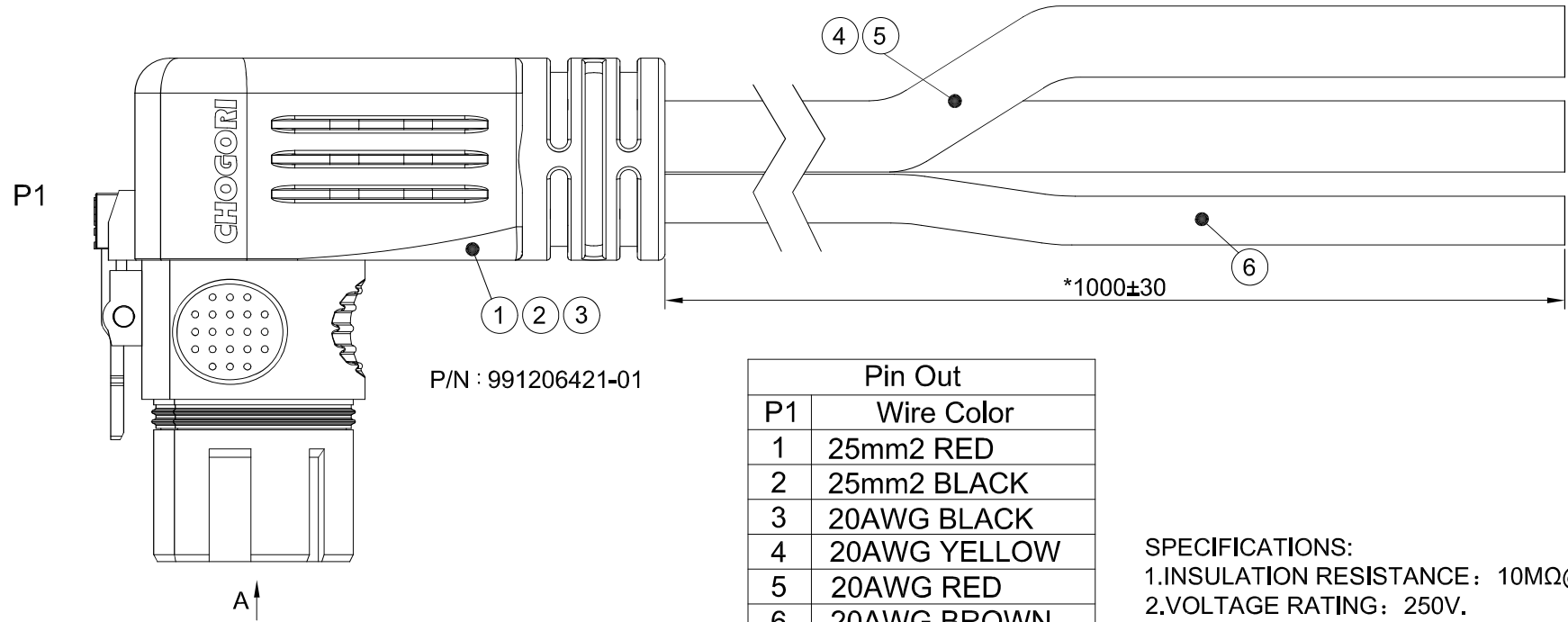


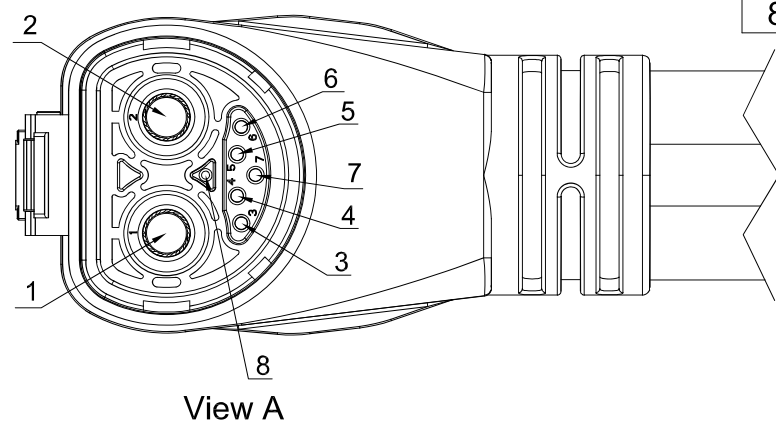
5	6	7	8
REV.	ECN NO.	DATE	SIGN
C1	NA	2022/06/27	XU
			DESCRIPTION
			First Version



P/N : 991206421-01

Pin Out	
P1	Wire Color
1	25mm2 RED
2	25mm2 BLACK
3	20AWG BLACK
4	20AWG YELLOW
5	20AWG RED
6	20AWG BROWN
7	20AWG ORANGE
8	20AWG GREEN

- SPECIFICATIONS:**
- 1.INSULATION RESISTANCE: 10MΩ@500VDC/0.01S.
 - 2.VOLTAGE RATING: 250V.
 - 3.CURRENT RATING: 25mm²@90A,20AWG@5A
 - 4.OPERATION TEMPERATURE: -20℃~+80℃.
 - 5.WATERPROOF IPX6(MATED).
 - 6.RoHS COMPLIANT.



View A

6	900-00601-00010	A/R	M	UL2464 6*20AWG+AB -40~80℃ 300V VW-1 OD7.0 BLACK PVC
5	900-00101-00361	A/R	M	UL1015 25mm² 105℃ 600V VW-1 OD:10,2mm BLACK PVC
4	900-00101-00360	A/R	M	UL1015 25mm² 105℃ 600V VW-1 OD:10,2mm RED PVC
3	504-00029-00	A/R	M	HEAT SHRINK TUBE OD2.0
2	601-00032-00	A/R	KG	PA66 Nylon
1	991206421-01	1	PC	BANGA100 SERIES 2+6PIN FEMALE CONNECTOR

No.	Material No.	Q'ty	Unit	Material Description
Material List				
ITEM NO.	11C03622052701		DRAWN BY	XU
DATE				2022/06/27
DWG NO.	11C03622052701		CHECKED BY	Kevin
DATE				2022.06.27 16:53:07 +08'00'
CUSTOMER NO.		REV.	APPROVED BY	
DATE				

UNIT:mm	TITLE	
未注线性和角度尺寸公差 UNSPECIFIED TOLERANCE	BANGA100 SERIES 2+6PIN FEMALE CONNECTOR L=1000MM	
	SCALE N/A	SHEET 1 of 1
GB/T 1804-M	REV. C1	SIZE A4 * Inspection Item

CHOGORI
Chogori Technology Co., Ltd

THIS INFORMATION IS CONFIDENTIAL AND IS DISCLOSED TO YOU ON CONDITION THAT NO FURTHER DISCLOSURE IS MADE BY YOU TO OTHER THAN CHOGORI PERSONNEL WITHOUT AUTHORIZATION FROM CHOGORI CORP.