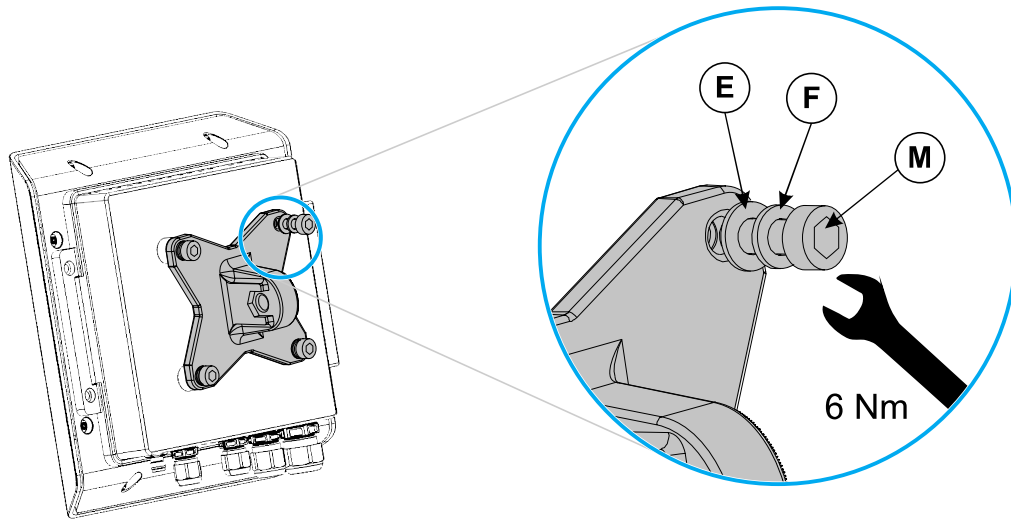
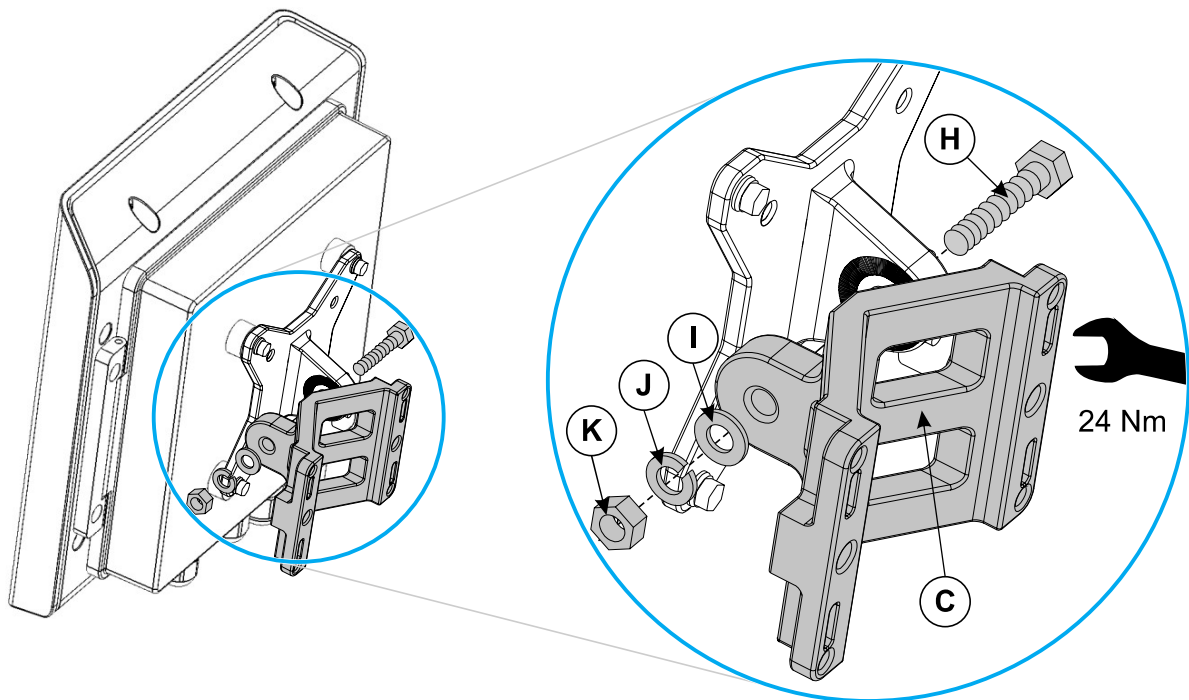


# Base Bracket Mounting

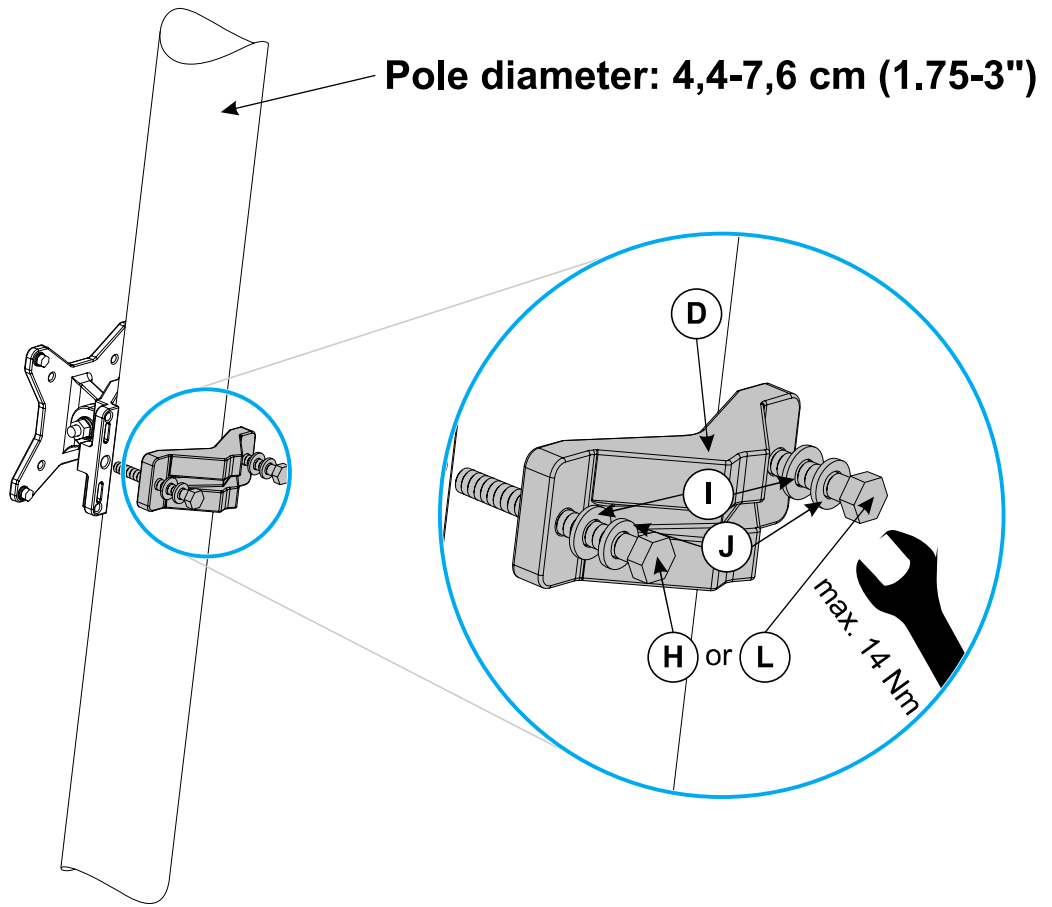


# Pole Mounting

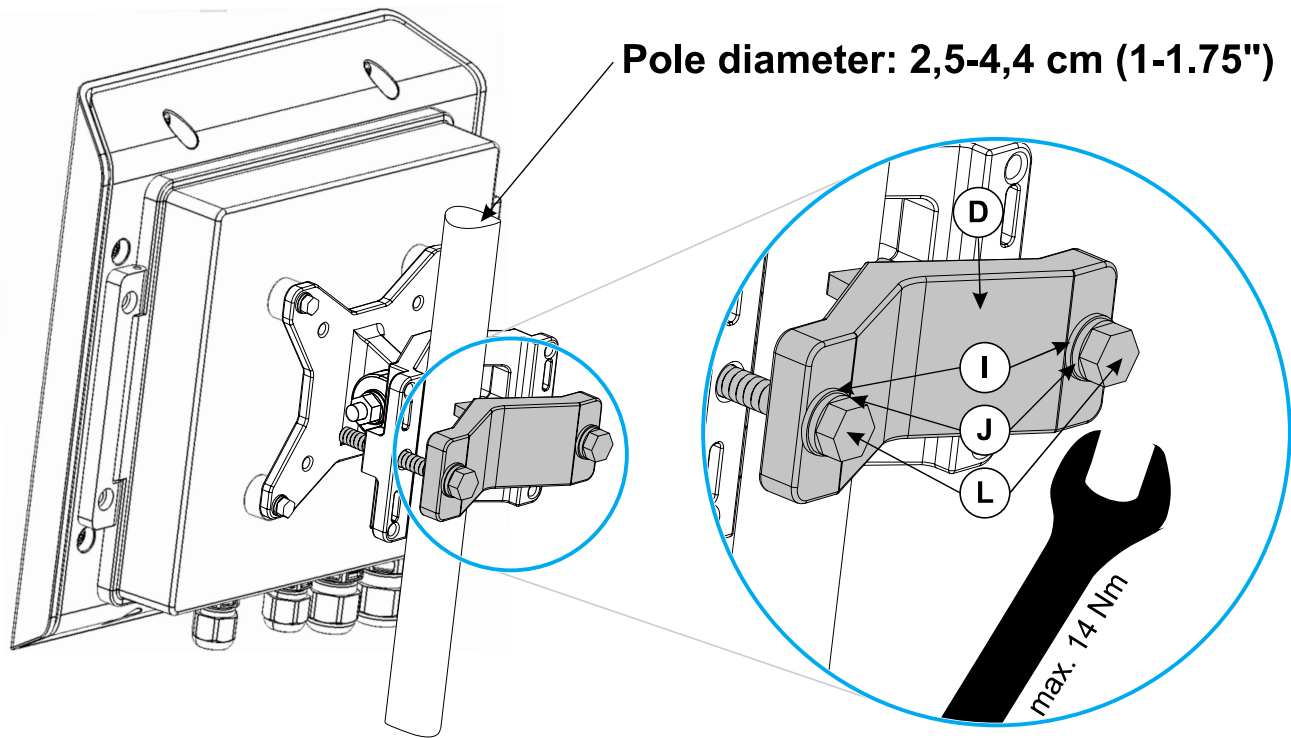
1



# 2A

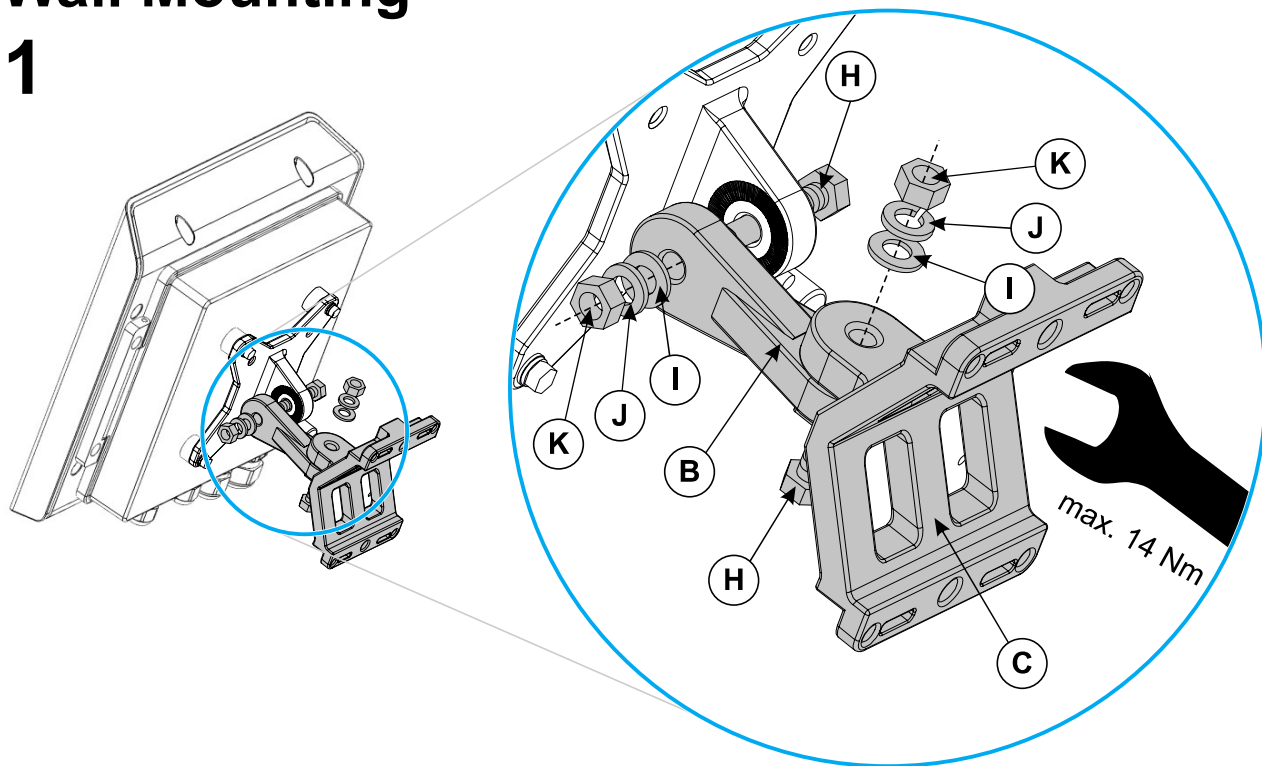


# 2B

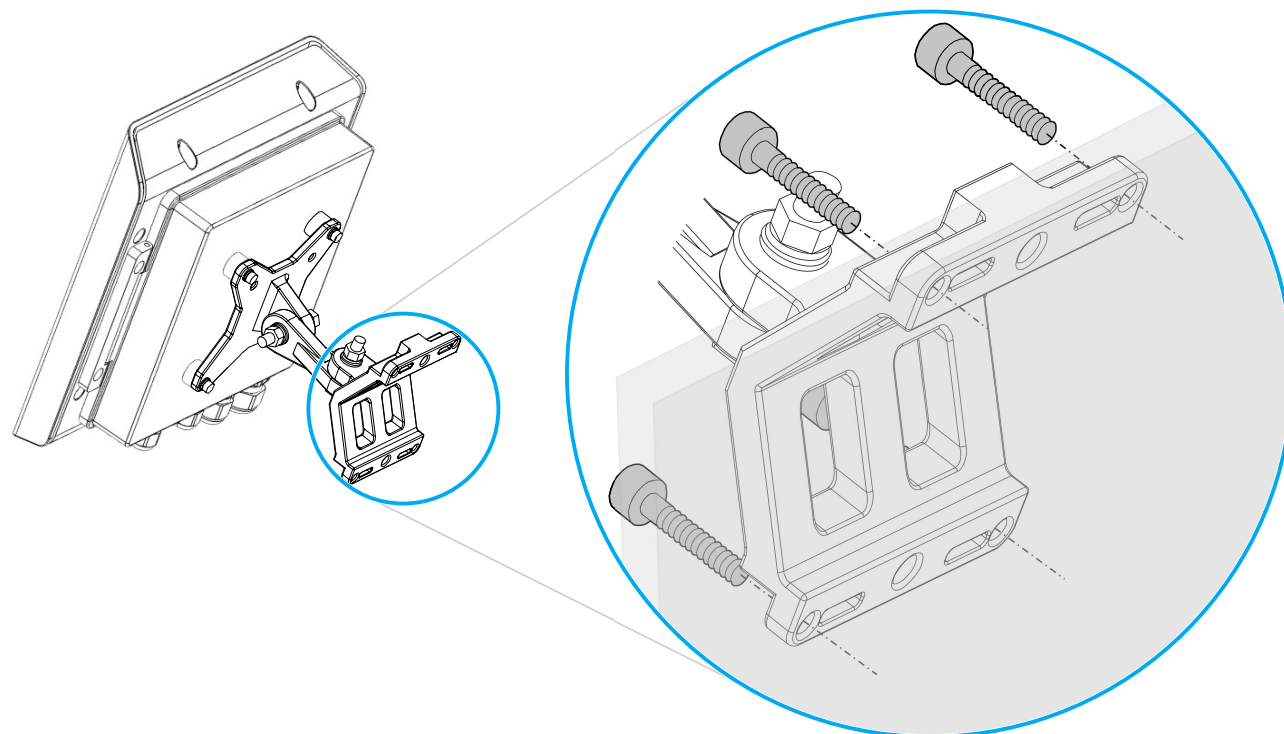


# Wall Mounting

## 1



## 2



The screws for wall mounting are not supplied.