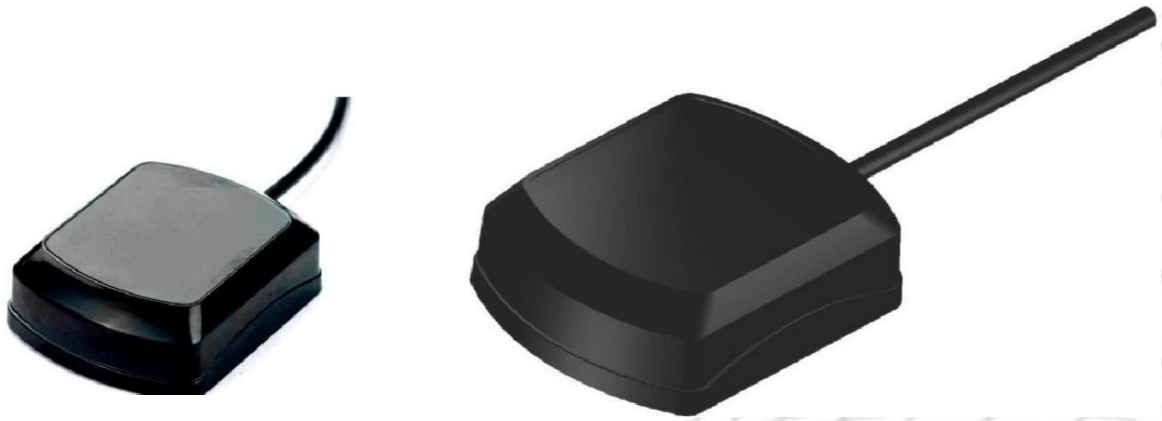
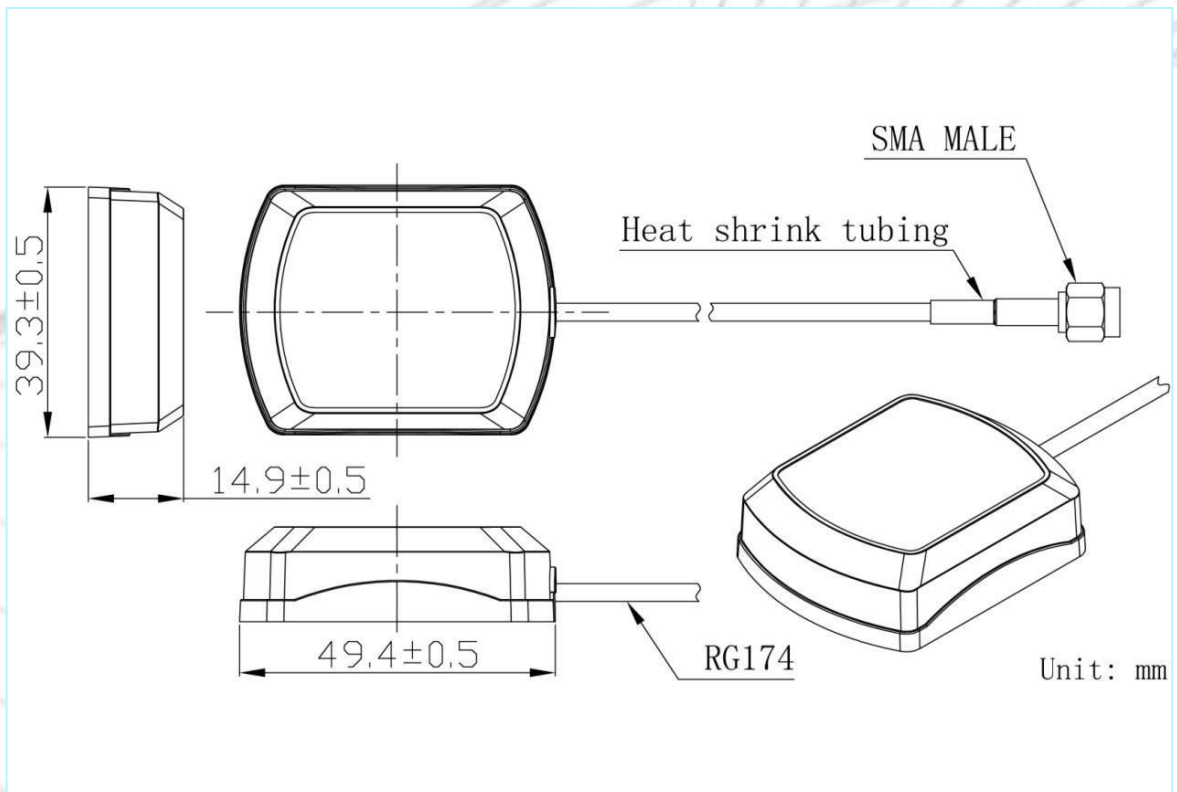


## GPS Active Antenna

AN\_GPS\_A001\_MCX



### Mechanical Dimension



## GPS Active antenna

### Specifications

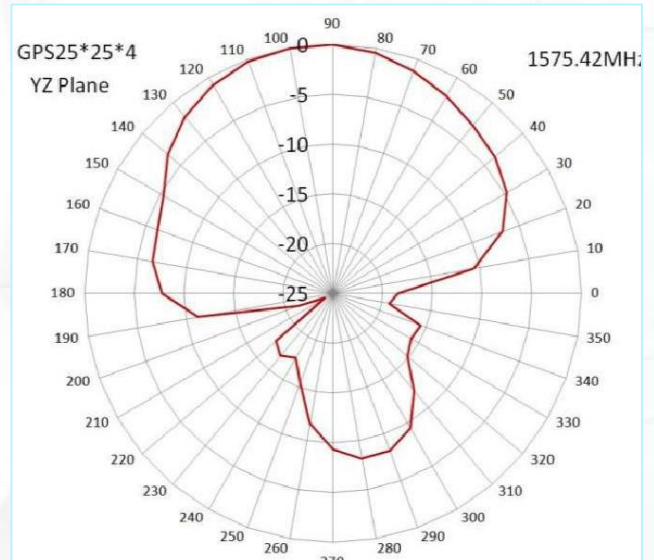
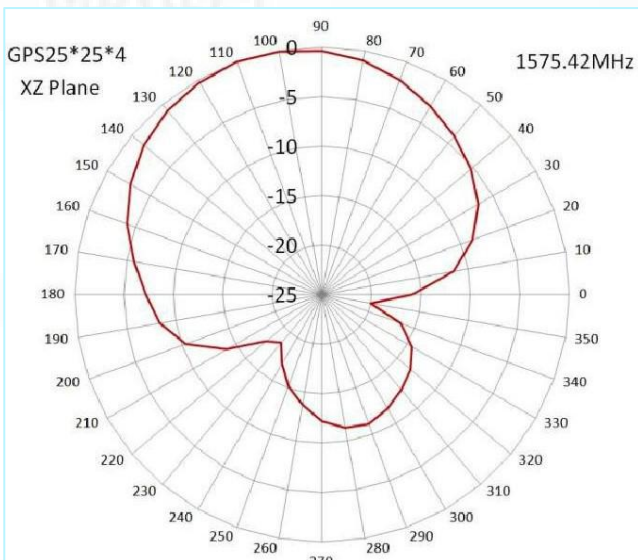
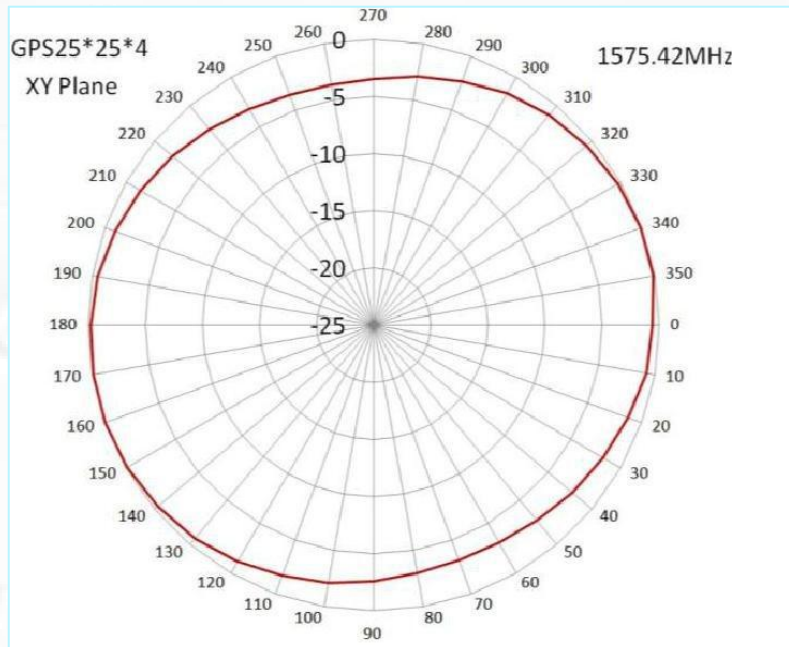
Item	Specifications	
Antenna	Center Frequency	1575.42 ± 3MHz
	Band Width	CF ± 5MHz
	Polarization	RHCP
	Gain	2dBic (Zenith)
	V.S.W.R	< 1.5
	Impedance	50Ω
	Axial Ratio	3dB (max)
	Dimension	39.3*49.4*14.9mm
LNA	Gain	28 ± 2dB
	Noise Figure	< 1.5dB
	Filter Insertion Loss	< 3dB
	Ex-band Attenuation	12dB@CF+50MHz/16dB@CF-50MHz
	Supply Voltage	2.2~5V DC
	Current Consumption	< 15mA
	V.S.W.R	< 2.0
Mechanical	Cable	RG174
	Connector	MCX
	Radome Material	ABS
	Mounting Method	Magnet
Environmental	Operating Temperature	-40°C ~ +85°C
	Relative Humidity	Up to 95%
	Ingress Protection	IP66
	Vibration	10 to 55Hz with 1.5mm amplitude 2hours
	Environmentally Friendly	ROHS Compliant



**MASWELL**  
— 迈斯维 —

## GPS Active antenna

### Radiation Patterns



Suzhou maswell communication technology co. Ltd

Add: Floor 3, Building 6, No. 88 Zhenbei Road, High-tech District, Suzhou 215153, Jiangsu, China

Http://www.maswelltech.com

E-mail: Sales@maswelltech.com