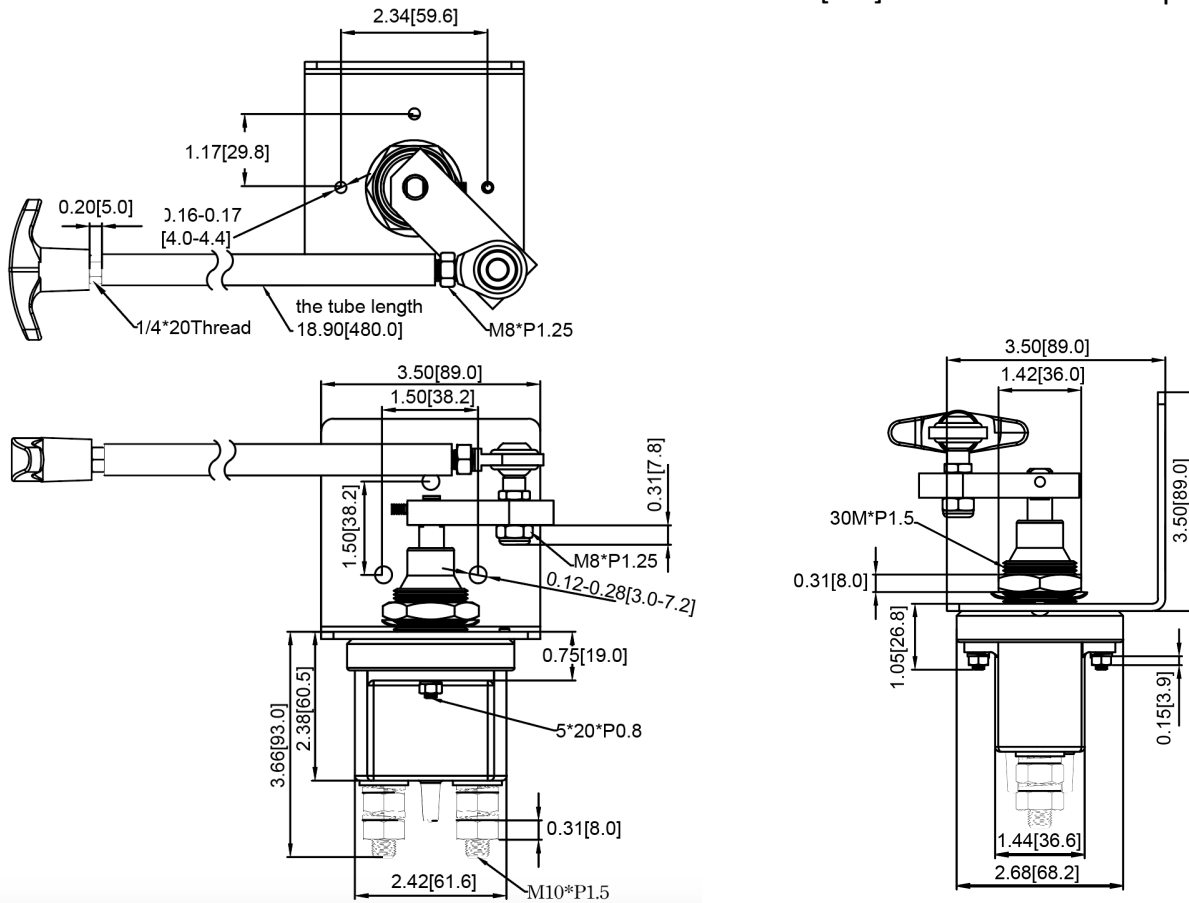
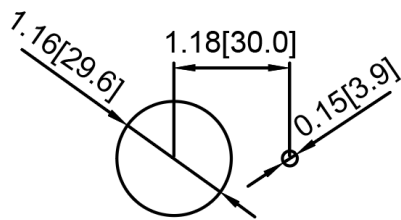


Mechanical Dimensions: Inches [mm]

Tolerances ± 0.012 [0.3] Unless Otherwise Specified

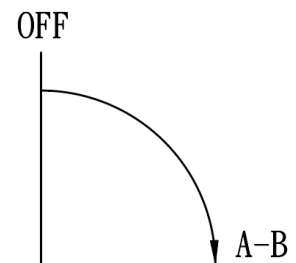


Mounting Hole



Circuit Diagram

SPST: Does not disconnect alternator or generator field circuit.



Electrical Specifications

Continuous Rating	300A 24VDC
Intermittent Rating	2000A for 5secs intervals
Insulation Resistance	DC 500V 100M ohm Min
Dielectric Strength	AC 1000V 1 minute

Material Specifications

- Includes Fixed Handle
- Includes Extension Handle
- Includes Mounting Bracket

Rev **Date of issue** **Revision Notes**

Designed **Approved**

A	04-08-2020	Initial Drawing	RC	OF
---	------------	-----------------	----	----