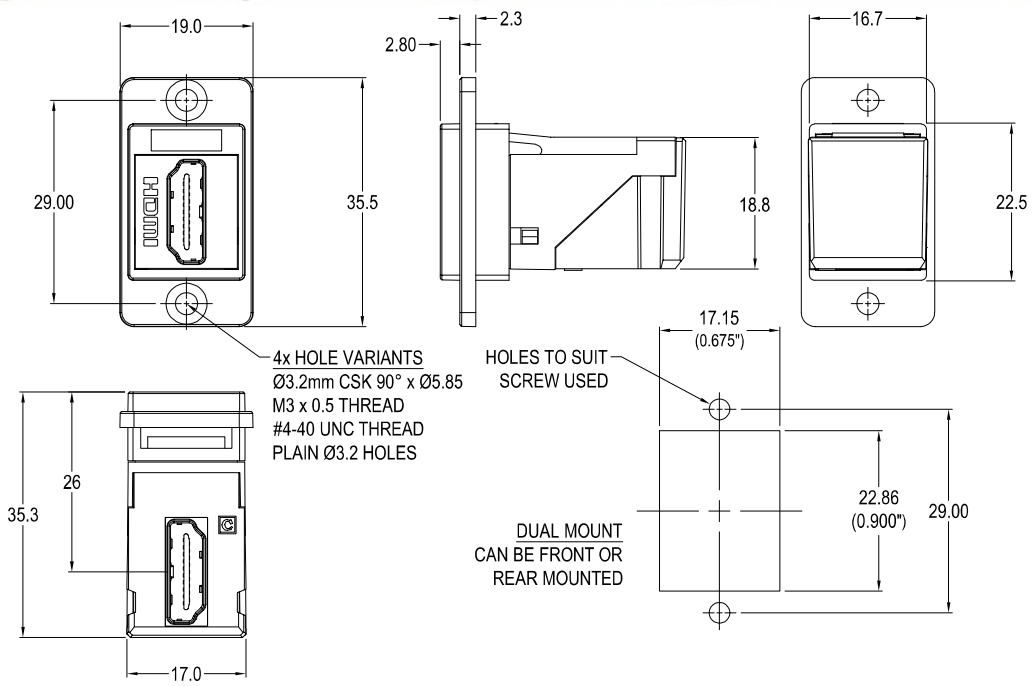




DUALSLIM HDMI FEMALE - FEMALE RIGHT ANGLE METAL FEEDTHROUGH

Can be front or rear mounted in the panel



VARIANTS

Part No.

CP30753M

CP30753MB

CP30753M3

CP30753MB3

CP30753M440

CP30753MB440

CP30753MX1

CP30753MBX1

- RAFT DUALSLIM HDMI F-F Nickel frame, CSK holes
- RAFT DUALSLIM HDMI F-F Black metal frame, CSK holes
- RAFT DUALSLIM HDMI F-F Nickel frame, M3 holes
- RAFT DUALSLIM HDMI F-F Black metal frame, M3 holes
- RAFT DUALSLIM HDMI F-F Nickel frame, #4-40 holes
- RAFT DUALSLIM HDMI F-F Black metal frame, #4-40 holes
- RAFT DUALSLIM HDMI F-F Nickel frame, Ø3.2 PLAIN holes
- RAFT DUALSLIM HDMI F-F Black metal frame, Ø3.2 PLAIN holes

Feedthrough Features

- Fits standard rectangular cutout.
- Front or rear mounting through the panel.
- Various hole mounting options.
- No soldering or punch termination. Use standard cable for each connector style.
- Low rear profile.
- 90° or right angle rear cable entry.

Material:

1. Insert: ABS UL94-V2
2. Frame: Diecast, Nickel or Black plated
3. Shell: Gold plated
4. Contacts: Gold Plated

General:

Please note: Functionality is affected by cable quality, length and cable wiring configuration.

For further information, contact sales@cliffuk.co.uk

